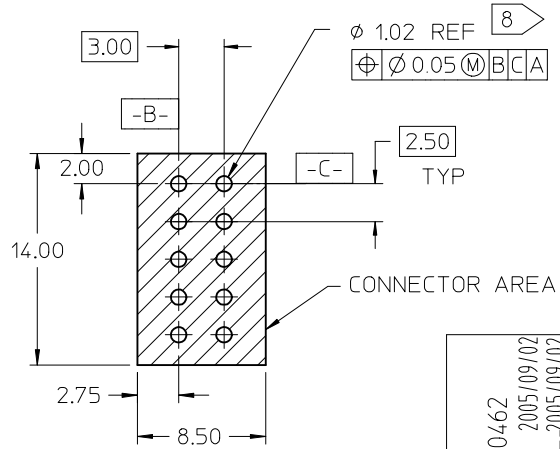
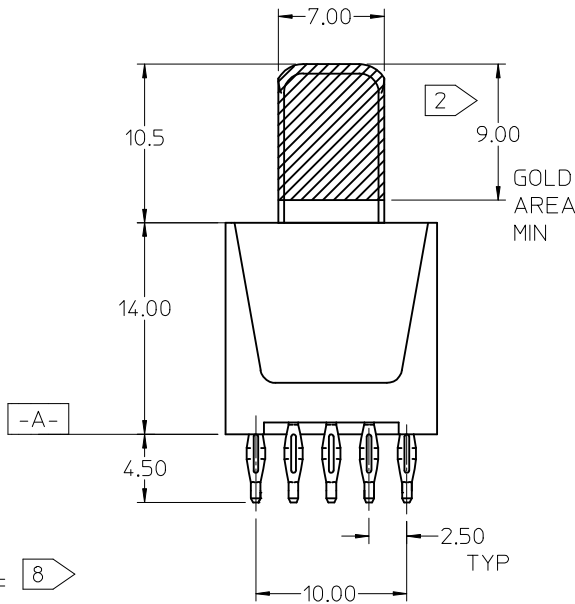
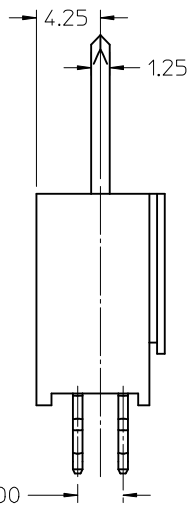


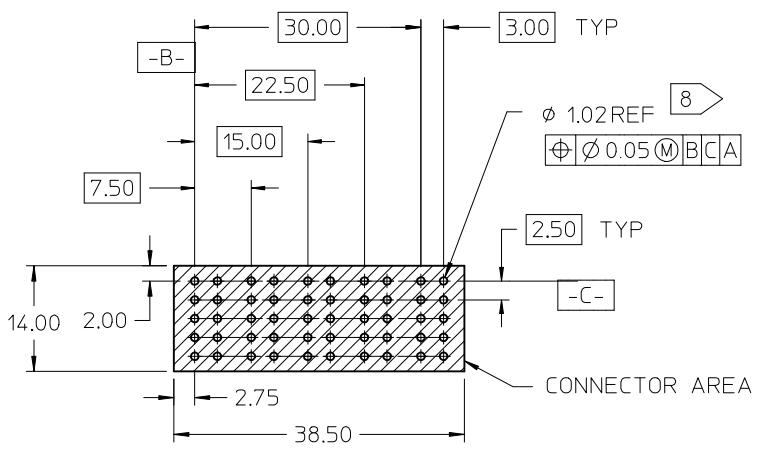
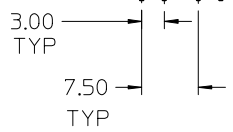
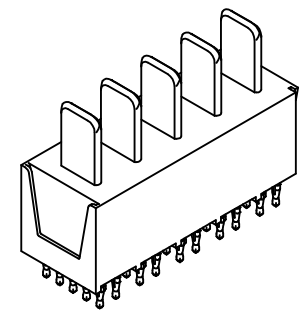
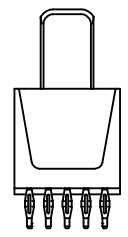
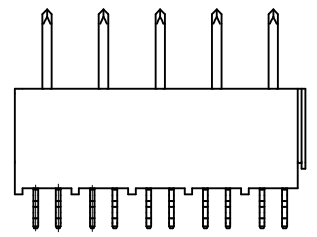
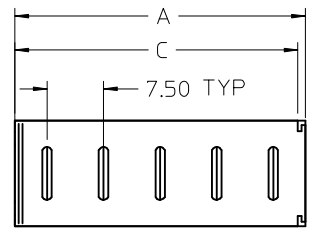
- NOTES:
- HOUSING MAT'L: LCP, GLASS FILLED, UL 94V-0, BLACK
CONTACT MAT'L: COPPER ALLOY
 - FINISH: SELECT GOLD: 30 MI MIN
SELECT TIN: 150 MI MIN
BOTH OVER NICKEL: 50 MI MIN
GOLD TO BE SPECIFIED THK IN THIS AREA
 - PRODUCT SPECIFICATION: PS-45424-001
 - PACKAGING SPECIFICATION: PK-45482-001
 - THIS MODULE INTERLOCKS WITH ALL STANDARD MOLEX POWER DOCK MODULES.
 - DATUM -A- IS THE CONNECTOR MOUNTING SURFACE.
 - THE PRIMARY SHIPPING CARTON WILL BE LABELED "COMPLIANT TO RoHS DIRECTIVE 2000/95/EC AND ELV ANNEX II OF DIRECTIVE 2000/53/EC". CARTONS WITHOUT THIS LABEL MAY CONTAIN PRODUCT WITH TIN/LEAD PLATING.
 - PC TAILS MAY BE BLUNT CUT TO LENGTH.



PCB LAYOUT: COMPONENT SIDE
PCB THICKNESS: .093/2.36 MIN.

EC NO: UCP2006-0462 DRWN:KSAMIEC 2005/09/02 CHKD: RELEASED 2005/09/02 APPR:APATEL 2005/09/12	DESCRIPTION	GENERAL TOLERANCES (UNLESS SPECIFIED)		DIMENSION STYLE MM ONLY		SCALE 2:1	DESIGN UNITS METRIC	THIRD ANGLE PROJECTION
		mm	INCH	DRAWN BY KSAMIEC	DATE 2003/02/20	TITLE POWER DOCK MODULE PLUG 250V VERTICAL 10.5 MATE CPI		
		4 PLACES	± ---	± ---	CHECKED BY MARGUL IS	DATE 2003/02/20	MOLEX INCORPORATED	
		3 PLACES	± ---	± ---	APPROVED BY MARGUL IS	DATE 2003/02/20		
		2 PLACES	± 0.25	± ---	MATERIAL NO. 45521-0001			DOCUMENT NO. SD-45521-001
		1 PLACE	± 0.50	± ---	SHEET NO. 1 OF 2			
		ANGULAR ± 1/2°		THIS DRAWING CONTAINS INFORMATION THAT IS PROPRIETARY TO MOLEX INCORPORATED AND SHOULD NOT BE USED WITHOUT WRITTEN PERMISSION				
DRAFT WHERE APPLICABLE MUST REMAIN WITHIN DIMENSIONS								

CKT	A	C
2	16.00	15.00
3	23.50	22.50
4	31.00	30.00
5	38.50	37.50



PCB LAYOUT: COMPONENT SIDE
PCB THICKNESS: .093/2.36 MIN

CKT	MATERIAL NO
2	45521-2001
3	45521-3001
4	45521-4001
5	45521-5001

EC NO: UCP2006-0462	2005/09/02	DESCRIPTION
DRWN:KSAMIEC	2005/09/02	
CHKD:		
APPR:APATEL	2005/09/12	
C		REV

GENERAL TOLERANCES (UNLESS SPECIFIED)		
	mm	INCH
4 PLACES	± ---	± ---
3 PLACES	± ---	± ---
2 PLACES	± 0.25	± ---
1 PLACE	± 0.50	± ---
ANGULAR ±1/2°		
DRAFT WHERE APPLICABLE MUST REMAIN WITHIN DIMENSIONS		

DIMENSION STYLE	
MM ONLY	
DRAWN BY	DATE
KSAMIEC	2003/02/20
CHECKED BY	DATE
MARGULIS	2003/02/20
APPROVED BY	DATE
MARGULIS	2003/02/20
SIZE	A

SCALE	DESIGN UNITS	THIRD ANGLE PROJECTION
1:1	METRIC	
TITLE		
POWER DOCK MODULE PLUG 250V VERTICAL 10.5 MATE CPI		
MOLEX INCORPORATED		
DOCUMENT NO.	SHEET NO.	
SD-45521-001	2	
THIS DRAWING CONTAINS INFORMATION THAT IS PROPRIETARY TO MOLEX INCORPORATED AND SHOULD NOT BE USED WITHOUT WRITTEN PERMISSION		