

## EMP Protector 3400.17.0410

### Description

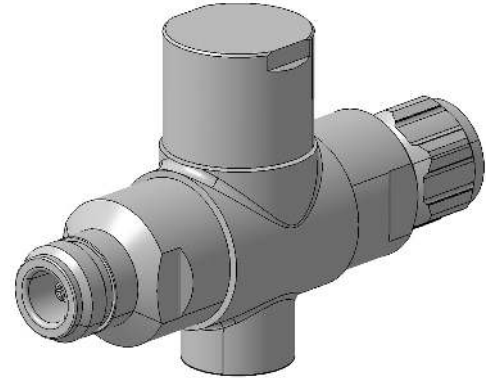
Quarter-wave stub technology

#### Benefits

Broad-band design

The protector can also be installed reversely

Compliant to IEC 61643-21



### Product Configuration

Main path connectors Port 1: unprotected, N plug (male) - Port 2: protected, N jack (female)  
Mounting and grounding M8 (screw), brk (bracket)

### Technical Data

#### Electrical Data

Impedance 50  $\Omega$   
Frequency range 2000 - 6000 MHz  
Return loss  $\geq 20$  dB  
Insertion loss  $\leq 0.2$  dB  
RF CW power  $\leq 300$  W  
PIM 3rd order not specified

Surge current handling capability 50 multiple kA (test pulse 8/20  $\mu$ s)  
Residual pulse energy 0.4  $\mu$ J typically (test pulse 4 kV 1.2/50  $\mu$ s / 2 kA 8/20  $\mu$ s) main path - protected side

#### Mechanical Data

Number of matings 500  
Weight 290 g

#### Environmental Data

Operating temperature -40  $^{\circ}$ C to +85  $^{\circ}$ C  
Waterproof degree IP65 (according to IEC 60529, data refer to the coupled state)  
2011/65/EU (RoHS - including 2015/863 and 2017/2102) compliant

#### Material Data

Piece Parts	Material	Surface Plating
Housing	Brass	SUCOPLATE (R) Plating
Port 1 center contact	Brass	Gold Plating (without Nickel underplating)
Port 2 center contact	Copper Beryllium Alloy	Gold Plating (without Nickel underplating)

### Related Documents

Outline drawing DOU-00064125.1  
Mounting instruction DOC-0000176104