

PLUG SHOWN MOUNTED IN PANEL

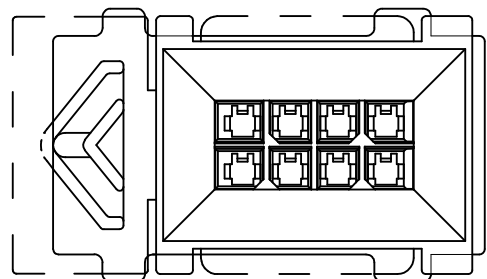
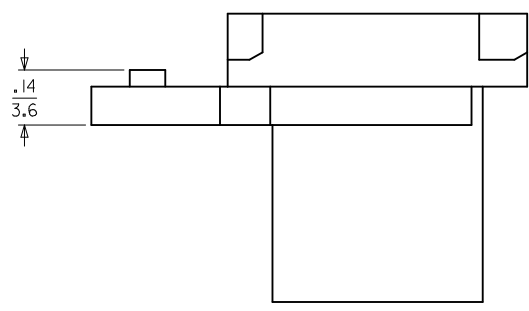
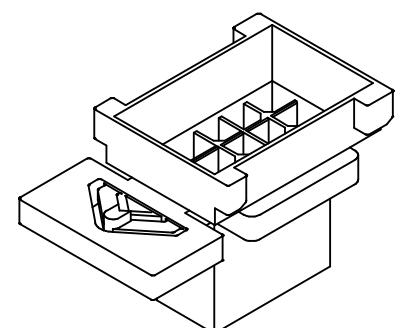
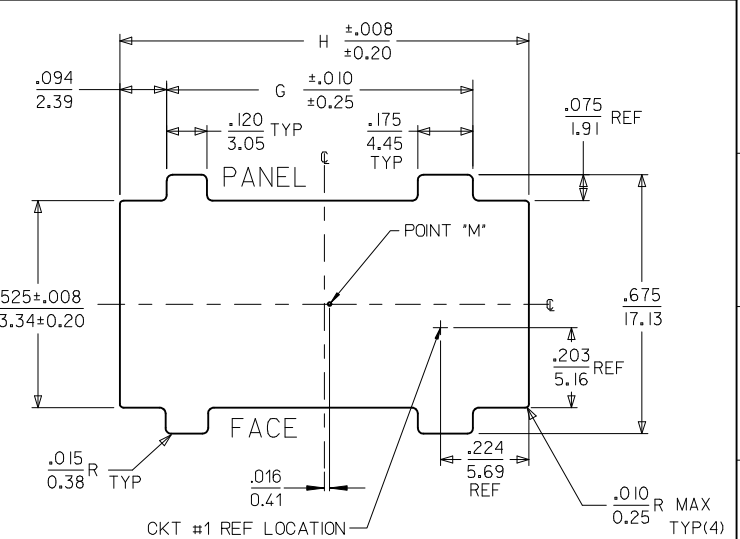
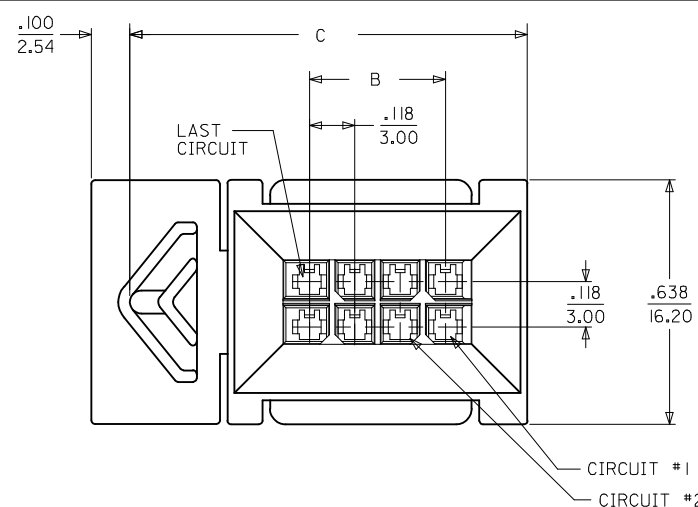
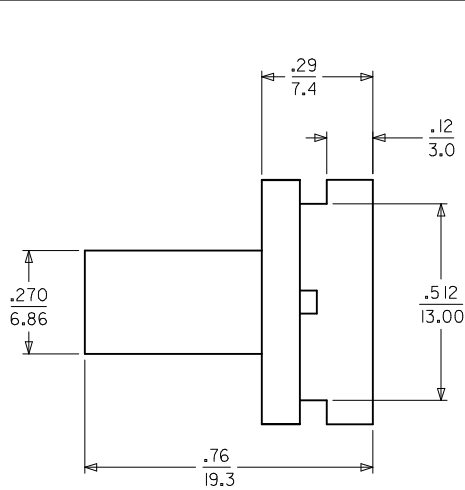
RECOMMENDED PANEL CUTOUT
(SEE NOTE #7 & #8)

- NOTES:
1. MATERIAL: UNFILLED NYLON, UL94V-0, COLOR: BLACK.
 2. FINISH: N/A
 3. PRODUCT SPECIFICATION: PS-44300-001
 4. PACKAGING SPECIFICATION: PK-44300-001
 5. THIS PLUG MATES WITH MOLEX BMI RECEPTACLE SERIES 44133 AND BMI RECEPTACLE HEADERS SERIES 44764 AND 44769.
 6. THIS PLUG TO BE USED WITH MOLEX MALE CRIMP TERMINALS ONLY. (MOLEX DRAWING SD-43031-****)
 7. THIS PLUG IS DESIGNED FOR USE WITH .062/1.57 MAX. TO .050/1.27 MINIMUM THICK PANELS.
 8. WHEN MATING WITH 44133 SERIES, POINT "M" MUST ALIGN WITH THE PANEL CUT-OUT CENTERLINES DEFINED BY MOLEX DRAWING SD-44133-001.
 9. HOUSING MAY EXHIBIT A SURFACE IMPERFECTION KNOWN AS "SINK MARKS" UP TO .024/0.60 MAX. THIS IS COSMETIC DEFECT AND DOES NOT EFFECT FUNCTION OF THE CONNECTOR.
 10. THIS PART CONFORMS TO CLASS 'B' REQUIREMENTS OF COSMETIC SPECIFICATION PS-45499-002.

| CKT SIZE | MATERIAL NUMBER | DIM "B" | DIM "C" | DIM "G" | DIM "H" |
|----------|-----------------|----------------|--------------|----------------|----------------|
| 4 | 44300-0408 | .118 3.00 | .81 20.5 | .585 14.85 | .829 21.05 |
| 6 | | .236 6.00 | .93 23.5 | .703 17.85 | .947 24.05 |
| 8 | | .354 9.00 | 1.04 26.5 | .821 20.85 | 1.065 27.05 |
| 10 | 44300-1008 | .472 12.00 | 1.16 29.5 | .939 23.85 | 1.183 30.05 |
| 12 | | .591 15.00 | 1.28 32.5 | 1.057 26.85 | 1.301 33.05 |
| 14 | 44300-1408 | .709 18.00 | 1.40 35.5 | 1.175 29.85 | 1.419 36.05 |
| 16 | 44300-1608 | .827 21.00 | 1.52 38.5 | 1.293 32.85 | 1.537 39.05 |
| 18 | 44300-1808 | .945 24.00 | 1.63 41.5 | 1.411 35.85 | 1.656 42.05 |
| 20 | | 1.063 27.00 | 1.75 44.5 | 1.530 38.85 | 1.774 45.05 |
| 22 | | 1.181 30.00 | 1.87 47.5 | 1.648 41.85 | 1.892 48.05 |
| 24 | | 1.299 33.00 | 1.99 50.5 | 1.766 44.85 | 2.010 51.05 |

| | | | | | | | | |
|---|--------------------------------------|--|--|---------------------------------------|--|--|-------------------------------|----------------------------|
| ADD 10, 14-18 CKTS EC NO: UCP2015-2520 DRWN: JDOFX 2014/12/30 CHKD: SSOUSEK 2014/12/30 APPR: FSMITH 2015/05/08 | QUALITY SYMBOLS ▽=0 ▽=0 ▽=0 | GENERAL TOLERANCES (UNLESS SPECIFIED) | | DIMENSION STYLE IN/MM | | SCALE -- | DESIGN UNITS METRIC | THIRD ANGLE PROJECTION |
| | | 4 PLACES ± --- ± --- 3 PLACES ± --- ± .010 2 PLACES ± 0.25 ± .014 1 PLACE ± 0.35 ± --- 0 PLACE ± ± | | DRAWN BY DATE MMSTROH 2011/09/19 | | TITLE MICROFIT 3.0 DUAL ROW BMI PANEL MOUNT PLUG, HALOGEN FREE | | |
| | | ANGULAR ±1/2° DRAFT WHERE APPLICABLE MUST REMAIN WITHIN DIMENSIONS | | CHECKED BY DATE SSOUSEK 9/26/2011 | | molex | | |
| | | MATERIAL NO. SEE CHART | | APPROVED BY DATE FSMITH 2011/10/03 | | DOCUMENT NO. SD-44300-002 | | SHEET NO. 1 OF 1 |

THIS DRAWING CONTAINS INFORMATION THAT IS PROPRIETARY TO MOLEX INCORPORATED AND SHOULD NOT BE USED WITHOUT WRITTEN PERMISSION



PLUG SHOWN MOUNTED IN PANEL

RECOMMENDED PANEL CUTOUT
(SEE NOTE #7 & #8)

- NOTES:
1. MATERIAL: UNFILLED NYLON, UL94V-0, COLOR: BLACK.
 2. FINISH: N/A
 3. PRODUCT SPECIFICATION: PS-44300-001
 4. PACKAGING SPECIFICATION: PK-44300-001
 5. THIS PLUG MATES WITH MOLEX BMI RECEPTACLE SERIES 44133 AND BMI RECEPTACLE HEADERS SERIES 44764 AND 44769.
 6. THIS PLUG TO BE USED WITH MOLEX MALE CRIMP TERMINALS ONLY. (MOLEX DRAWING SD-43031-****)
 7. THIS PLUG IS DESIGNED FOR USE WITH .062/1.57 MAX. TO .050/1.27 MINIMUM THICK PANELS.
 8. WHEN MATING WITH 44133 SERIES, POINT *M* MUST ALIGN WITH THE PANEL CUT-OUT CENTERLINES DEFINED BY MOLEX DRAWING SD-44133-001.
 9. HOUSING MAY EXHIBIT A SURFACE IMPERFECTION KNOWN AS 'SINK MARKS' UP TO .024/0.60 MAX. THIS IS COSMETIC DEFECT AND DOES NOT EFFECT FUNCTION OF THE CONNECTOR.
 10. THIS PART CONFORMS TO CLASS 'B' REQUIREMENTS OF COSMETIC SPECIFICATION PS-45499-002.

| CKT SIZE | MATERIAL NUMBER | DIM "B" | DIM "C" | DIM "G" | DIM "H" |
|----------|-----------------|----------------|--------------|----------------|----------------|
| 4 | 44300-0408 | .118 3.00 | .81 20.5 | .585 14.85 | .829 21.05 |
| 6 | | .236 6.00 | .93 23.5 | .703 17.85 | .947 24.05 |
| 8 | | .354 9.00 | 1.04 26.5 | .821 20.85 | 1.065 27.05 |
| 10 | 44300-1008 | .472 12.00 | 1.16 29.5 | .939 23.85 | 1.183 30.05 |
| 12 | | .591 15.00 | 1.28 32.5 | 1.057 26.85 | 1.301 33.05 |
| 14 | 44300-1408 | .709 18.00 | 1.40 35.5 | 1.175 29.85 | 1.419 36.05 |
| 16 | 44300-1608 | .827 21.00 | 1.52 38.5 | 1.293 32.85 | 1.537 39.05 |
| 18 | 44300-1808 | .945 24.00 | 1.63 41.5 | 1.411 35.85 | 1.656 42.05 |
| 20 | | 1.063 27.00 | 1.75 44.5 | 1.530 38.85 | 1.774 45.05 |
| 22 | | 1.181 30.00 | 1.87 47.5 | 1.648 41.85 | 1.892 48.05 |
| 24 | | 1.299 33.00 | 1.99 50.5 | 1.766 44.85 | 2.010 51.05 |

| | | | | | | | | |
|---|--------------------------------------|--|--|---------------------------------------|--|--|-------------------------------|----------------------------|
| ADD 10, 14-18 CKTS EC NO: UCP2015-2520 DRWN: JDOFX 2014/12/30 CHKD: SSOUSEK 2014/12/30 APPR: FSMITH 2015/05/08 | QUALITY SYMBOLS ▽=0 ▽=0 ▽=0 | GENERAL TOLERANCES (UNLESS SPECIFIED) | | DIMENSION STYLE IN/MM | | SCALE -- | DESIGN UNITS METRIC | THIRD ANGLE PROJECTION |
| | | 4 PLACES ± --- ± --- 3 PLACES ± --- ± .010 2 PLACES ± 0.25 ± .014 1 PLACE ± 0.35 ± --- 0 PLACE ± ± | | DRAWN BY DATE MMSTROH 2011/09/19 | | TITLE MICROFIT 3.0 DUAL ROW BMI PANEL MOUNT PLUG, HALOGEN FREE | | |
| | | ANGULAR ±1/2° DRAFT WHERE APPLICABLE MUST REMAIN WITHIN DIMENSIONS | | CHECKED BY DATE SSOUSEK 9/26/2011 | | molex | | |
| | | MATERIAL NO. SEE CHART | | APPROVED BY DATE FSMITH 2011/10/03 | | DOCUMENT NO. SD-44300-002 | | SHEET NO. 1 OF 1 |

THIS DRAWING CONTAINS INFORMATION THAT IS PROPRIETARY TO MOLEX INCORPORATED AND SHOULD NOT BE USED WITHOUT WRITTEN PERMISSION