

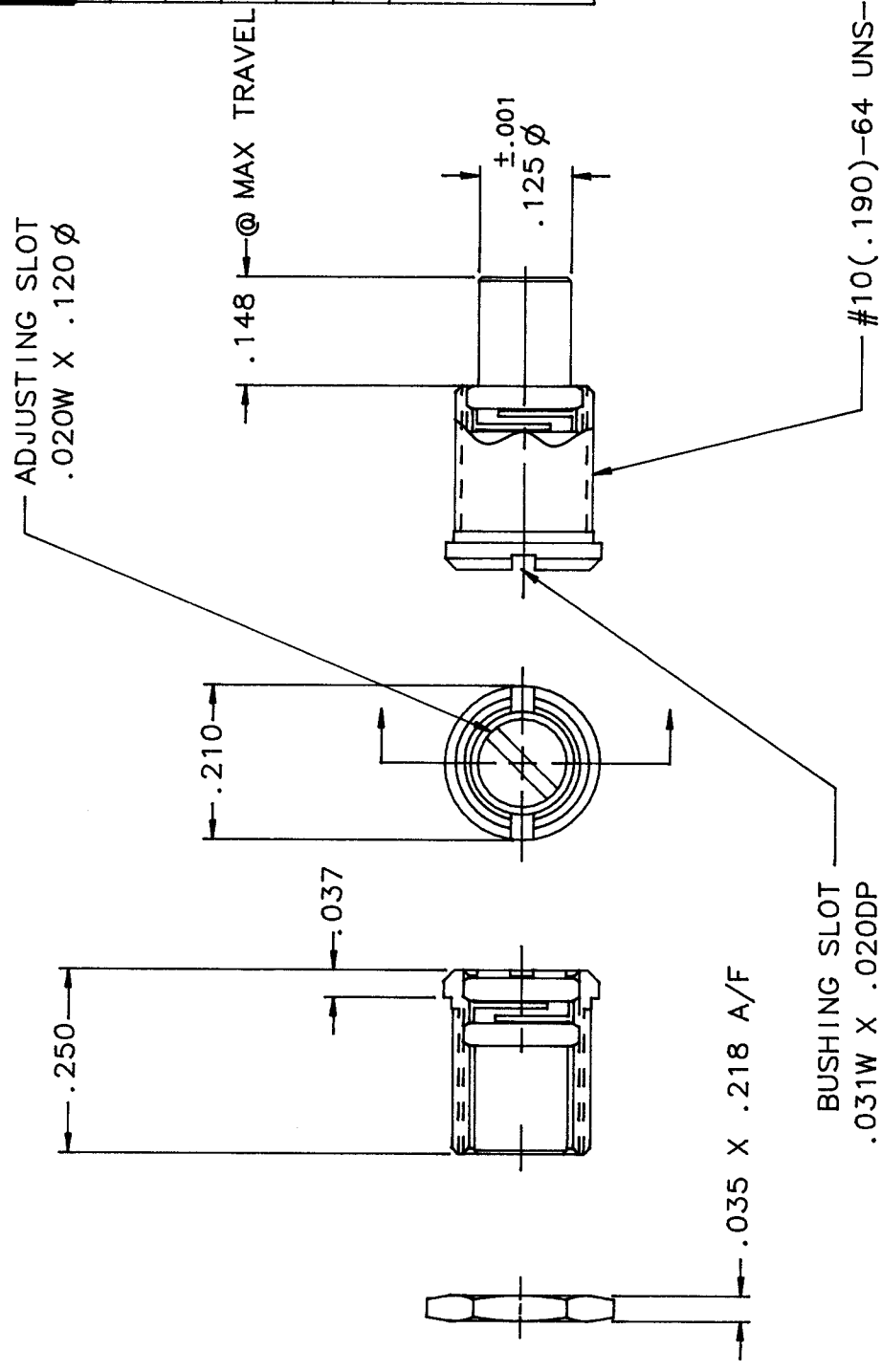
DRG. NO. 6925-33 REV. A

TUNING ELEMENT

SPECIFICATIONS

LOW CONTACT RESISTANCE	<0.01 OHMS
ROTATIONAL LIFE	>1000 REVOLUTIONS
TORQUE	1.0 TO 4.0 OZ. IN.
CONCENTRICITY	WITHIN .002 T.I.R.

APPLICATION:
 FOR HIGH Q VARIABLE REACTANCE TUNING OF UHF AND MICROWAVE COILS, CAVITIES, FILTERS, AND OTHER RESONANT STRUCTURES.



A	08/23/93	RJV	ECN 930-053
LEVEL	DATE	CHK./APP.	ECN

REVISIONS

CHK.	APP.	SCALE
<i>[Signature]</i>	<i>H.C.</i>	4" = 1"
DATE	DATE	
08/23/93	8-24-93	.XX ± .015
		.XXX ± .005

JOHANSON MANUFACTURING CORPORATION
 ROCKAWAY VALLEY ROAD, BOONTON, NJ 07005 201 334-2676 FAX 201 334-2954
 ELECTRONIC ACCURACY THROUGH MECHANICAL PRECISION

Johanson

PROPRIETARY INFORMATION CONTAINED NOT TO BE USED WITHOUT JOHANSON MANUFACTURING CORPORATION APPROVAL