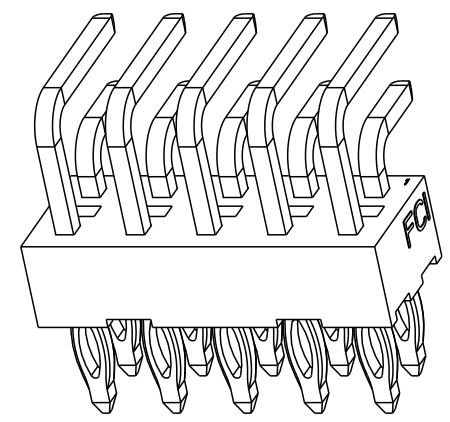
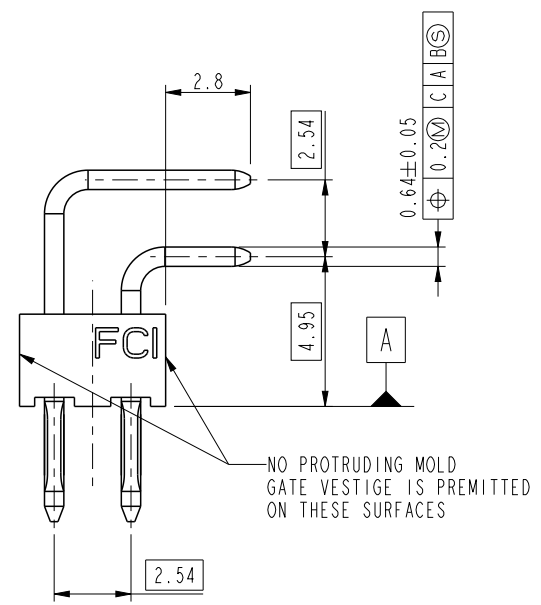
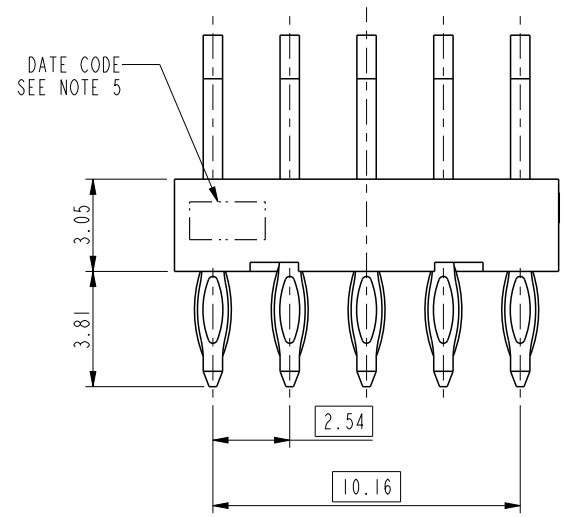
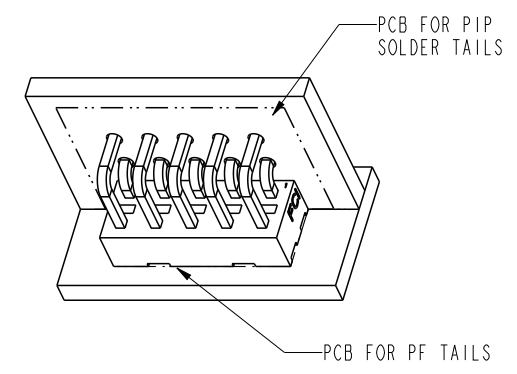
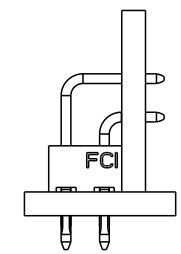
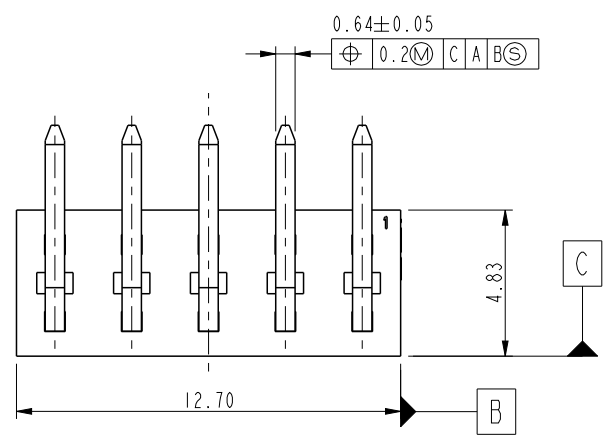


PART NUMBER  
10089980-001LF



spec ref	*	dr	Kenny Tai	2008/06/30	projection	MM	size	A4	scale	4:1											
tolerance std	TOLERANCES UNLESS OTHERWISE SPECIFIED	eng	Kenny Tai	2011/04/13			ecn no	ELX-T-003558-1													
surface	<table border="1"> <tr> <td>linear</td> <td>0.X</td> <td>±0.3</td> </tr> <tr> <td></td> <td>0.XX</td> <td>±0.13</td> </tr> <tr> <td></td> <td>0.XXX</td> <td>±</td> </tr> <tr> <td>angular</td> <td>0°</td> <td>±2°</td> </tr> </table>	linear	0.X	±0.3				0.XX	±0.13		0.XXX	±	angular	0°	±2°	chr	-	-	product family	-	rel level
linear	0.X	±0.3																			
	0.XX	±0.13																			
	0.XXX	±																			
angular	0°	±2°																			
		appr	-	-			title	R/A, COMBO WITH PIP & PF		rev	D										
		www.fci.com		cat. no.	10089980	Product - Customer Drw	dwg no	10089980		sheet 1 of 3											

PreE File - REV C - 2009-06-09

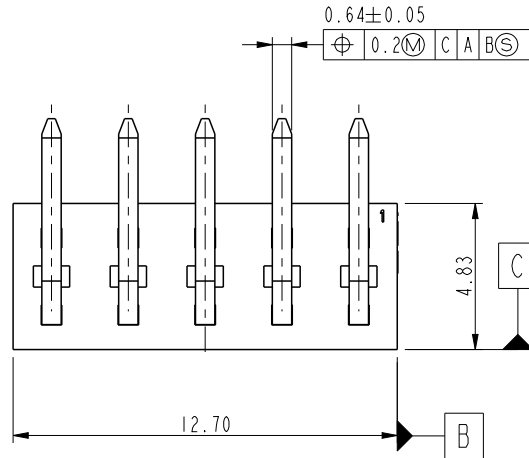


Copyright FCI.

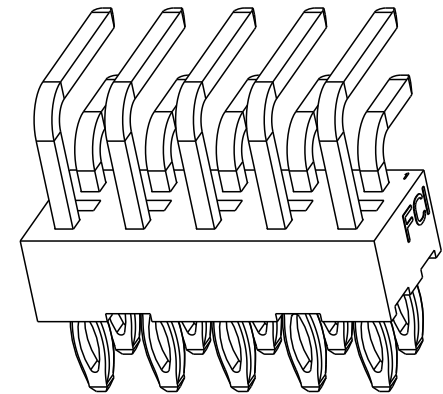
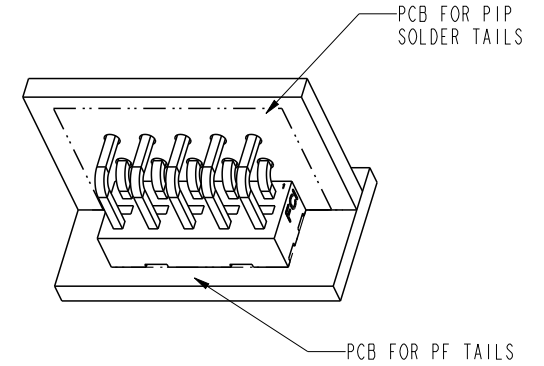
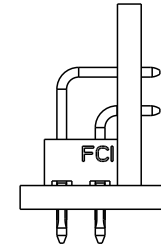
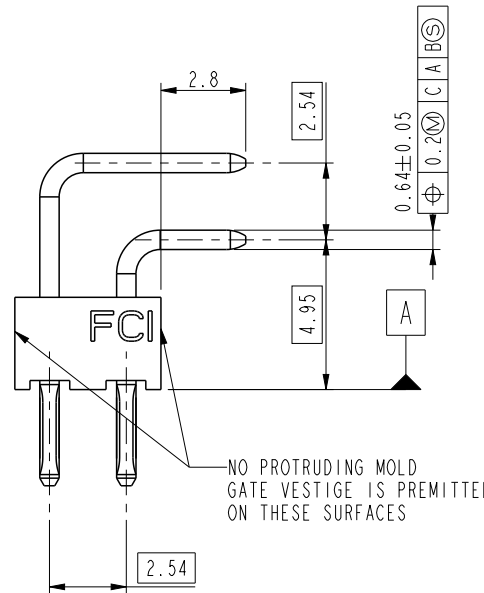
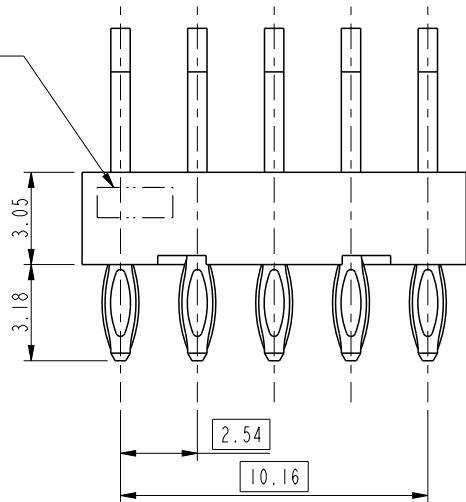


Copyright FCI.

PART NUMBER  
10089980-002LF



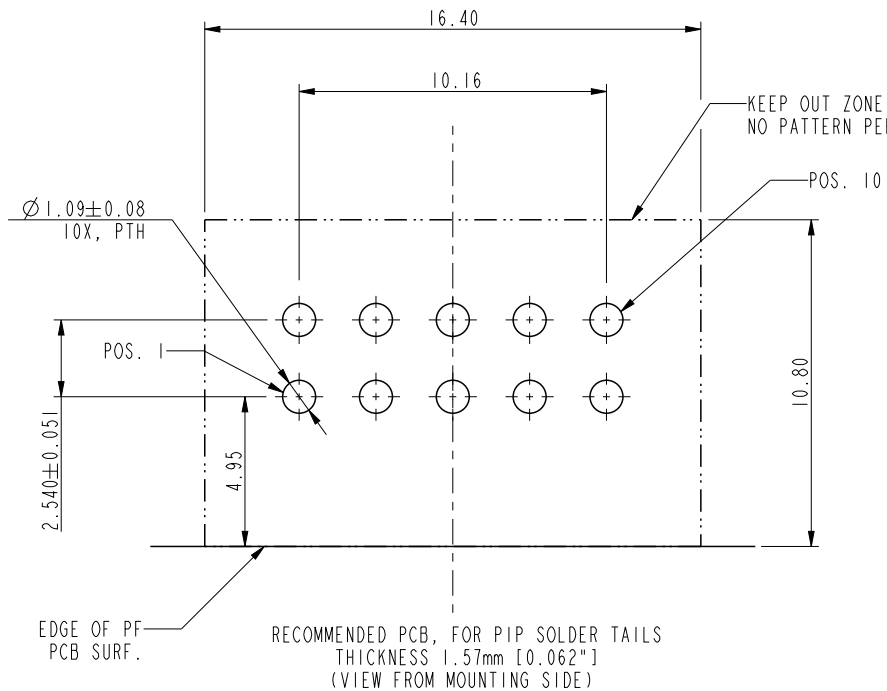
DATE CODE  
SEE NOTE 5



spec ref	*	dr	Kenny Tai	2008/06/30	projection	MM	size	A4	scale	1:1	
tolerance std	TOLERANCES UNLESS OTHERWISE SPECIFIED	eng	Kenny Tai	2011/04/13			ecn no	ELX-T-003558-1			
		chr	-	-				rel level	Released		
surface	✓	appr	-	-	product family	-	rel level	Released			
	linear	0.X	±0.3		title			R/A, COMBO WITH PIP & PF		dwg no 10089980	rev D
		0.XX	±0.13		title			BERGSTIK HEADER CONNECTOR			
		0.XXX	±		cat. no.			10089980			
	angular	0°	±2°	www.fci.com	Product - Customer Drw			sheet 2 of 3			

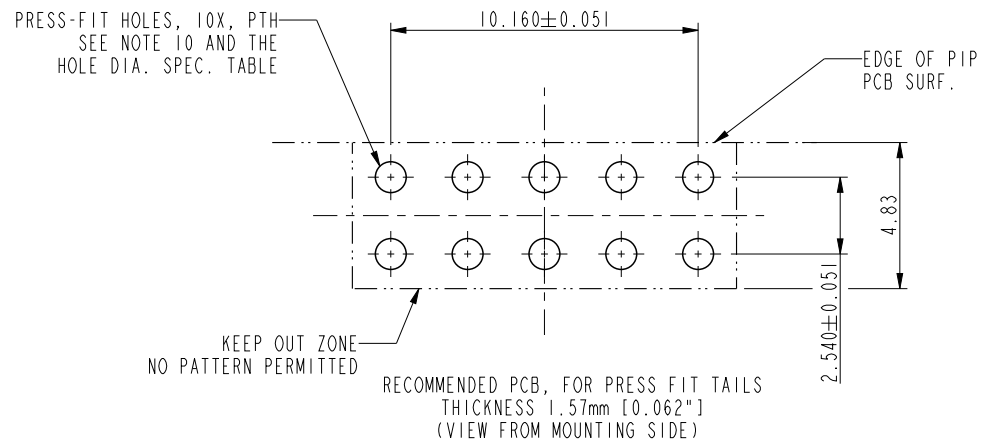


Copyright FCI.

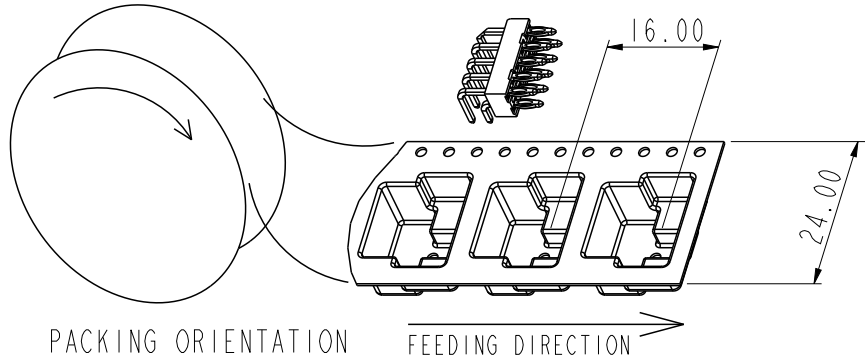


Product No.	Description	Press-Fit Hole Specification	
		Inches	MM
10089980-001LF 10089980-002LF	Drilled Hole	$\varnothing 0.0453 \pm 0.001$	$\varnothing 1.151 \pm 0.025$
	Copper Plated	$\varnothing 0.0410 \pm 0.002$	$\varnothing 1.041 \pm 0.051$
10089980-002LF	HASL Tin Plated	$\varnothing 0.0400 \pm 0.003$	$\varnothing 1.020 \pm 0.080$
	Electroless Nickle Immersion Gold Plated	$\varnothing 0.0410 \pm 0.002$	$\varnothing 1.041 \pm 0.051$

\* Ensure 0.0014" ± 0.001" Thickness of Cu Plating



- NOTES FOR CONNECTOR:
- HOUSING MATERIAL: HIGH TEMPERATURE THERMOPLASTIC, BLACK. UL 94V-0, FLAME RETARDANT.
  - TERMINAL: COPPER ALLOY.
  - PLATING:  
Ni: 50 u"/1.27um UNDERPLATED.  
Sn: 50 u"/1.27um ON SOLDER TAILS & PRESS FIT TAILS.
  - THE CONNECTOR CAN WITHSTAND 260°C PEAK TEMPERATURE 10 SECONDS FOR REFLOW PROCESS.
  - DATE CODE PRINTED ON THIS AREA. DATE CODE FORMAT: WWYY (WEEK + YEAR)
  - PRODUCT SPECIFICATION SEE GS-12-631.
  - PACKAGE: 730 PCS PER 15" REEL. PACKAGED PER GS-14-1429.
- NOTES FOR PCB:
- ALL THROUGH HOLES ARE LOCATED WITH A TRUE POSITION OF 0.1mm.
  - ALL DIAMETERS ARE FINISHED HOLE SIZES.
  - SEE THE TABLE FOR COMPLIANT (PRESS-FIT) HOLE DIMENSIONS.



dr	Kenny Tai	2008/06/30	projection 	MM	size	A4	scale	1:1
eng	Kenny Tai	2011/04/13			ecn no	ELX-T-003558-1		
chr	-	-			product family	-	rel level	Released
appr	-	-	product family		-	rel level	Released	
		title			R/A, COMBO WITH PIP & PF	dwg no		10089980
www.fci.com		cat. no.			10089980	Product - Customer Drw		sheet 3 of 3
		title			BERGSTIK HEADER CONNECTOR	rev		D