

THIS DRAWING IS UNPUBLISHED.

RELEASED FOR PUBLICATION

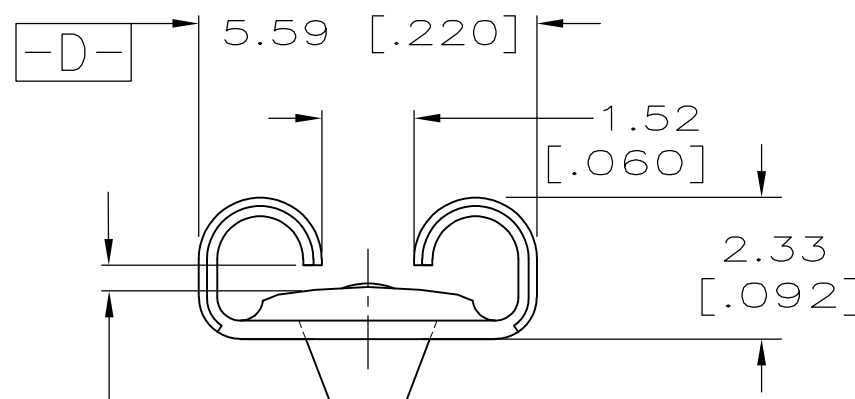
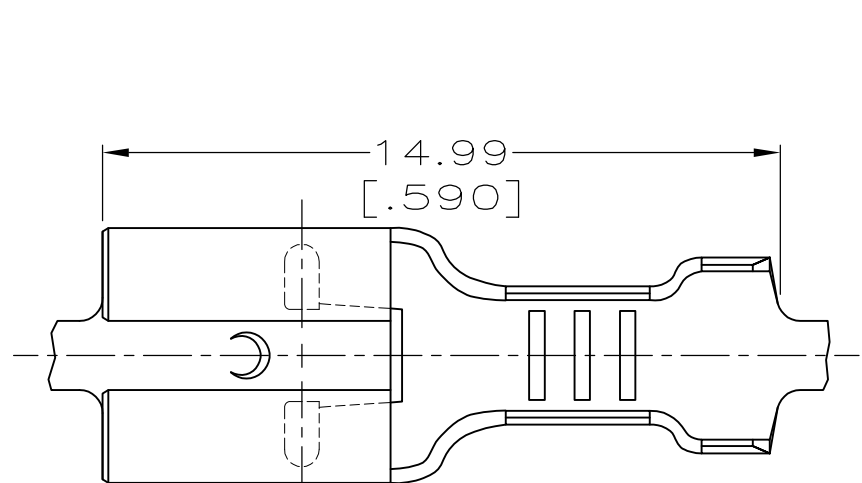
ALL RIGHTS RESERVED.

LOC AF DIST 50

REVISIONS

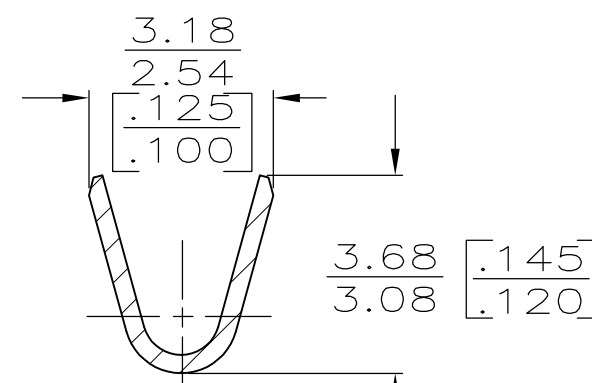
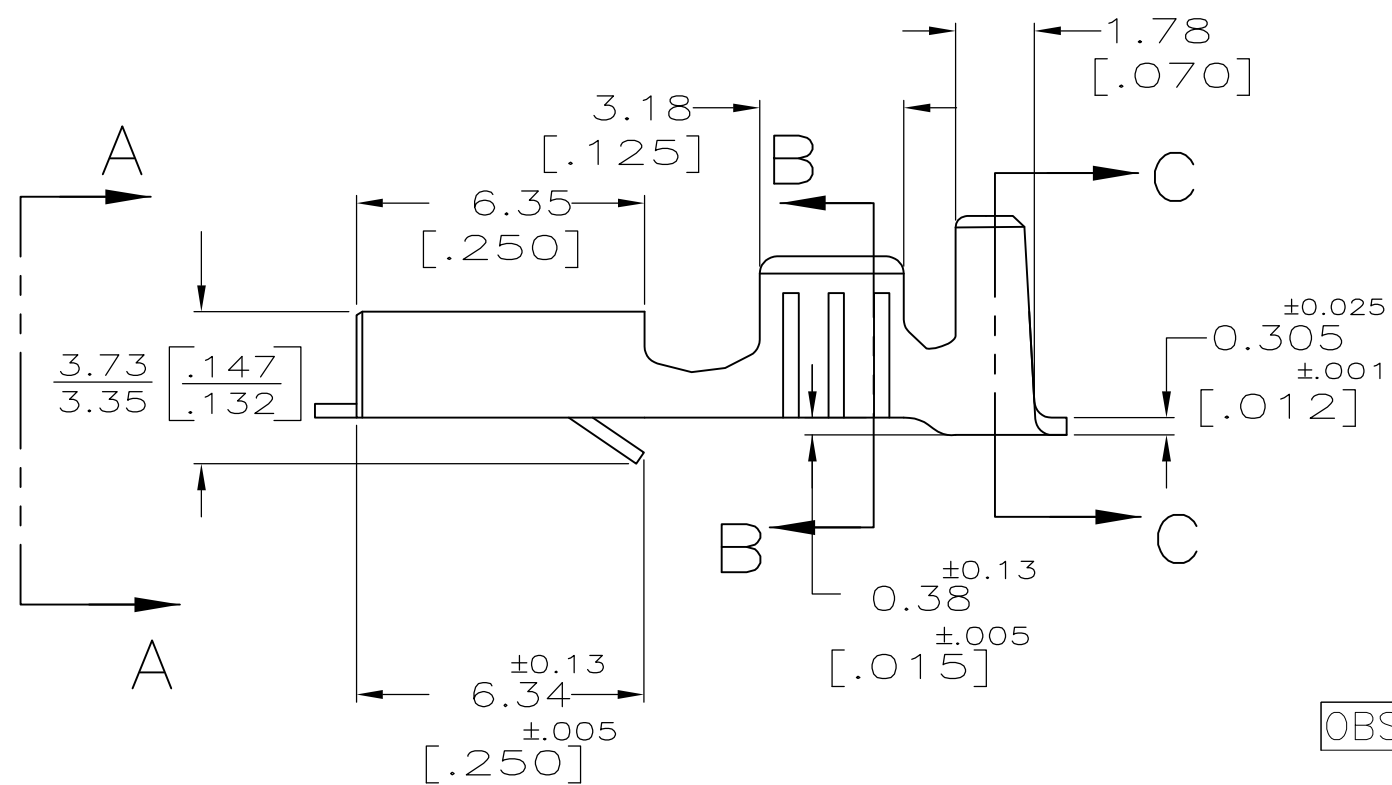
P	LTR	DESCRIPTION	DATE	DWN	APVD
	M	REVISED PER ECR-13-005733	30AUG2013	KH	PD

1 CONTINUOUS STRIP ON REELS

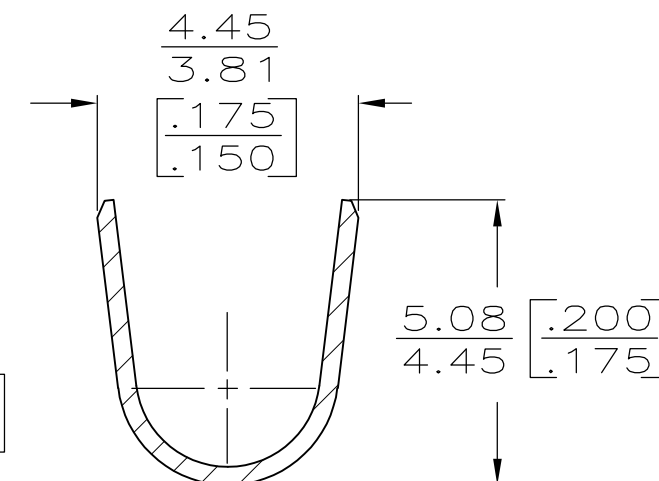


FITS 4.75 [.187] SERIES FASTON TAB

VIEW A-A SCALE 8:1




SECTION B-B SCALE 8:1



SECTION C-C SCALE 8:1

OBSOLETE	TIN	2.28 - 3.30	0.3 - 1.4mm ²	0.51 [.020]	62529-2
	-	[.090 - .130]	[22-16]		62529-1
	FINISH	INSUL RANGE	WIRE SIZE	MATING TAB THK±0.025 [.001]	PART NO

THIS DRAWING IS A CONTROLLED DOCUMENT.		DWN JR RUTH 5/9/90	 TE Connectivity		
DIMENSIONS: INCHES		CHK MS FEHER 5/9/90			
TOLERANCES UNLESS OTHERWISE SPECIFIED:		APVD J GILLESPIE 5/9/90	NAME		
0 PLC ± -		PRODUCT SPEC	RECEPTACLE, FASTON-FASTON, .187 SERIES		
1 PLC ± -			SIZE		
2 PLC ± -		APPLICATION SPEC	CAGE CODE		
3 PLC ± 0.38 [.015]			DRAWING NO		
4 PLC ± -			RESTRICTED TO		
ANGLES ± -			A300779 C-62529		
MATERIAL BRASS		FINISH SEE TABLE	WEIGHT -		
			CUSTOMER DRAWING		
			SCALE 6:1		
			SHEET 1 OF 1		
			REV M		