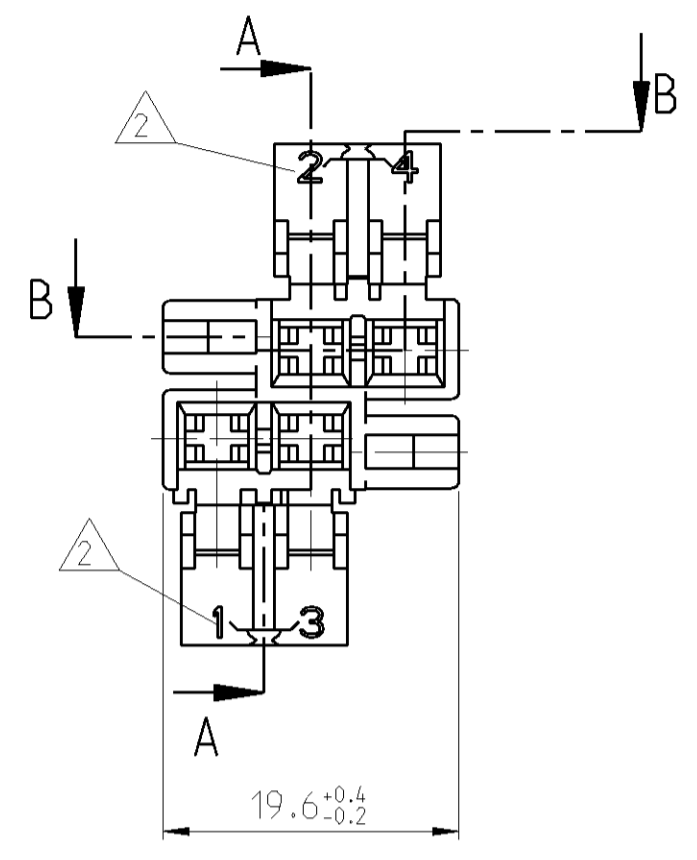
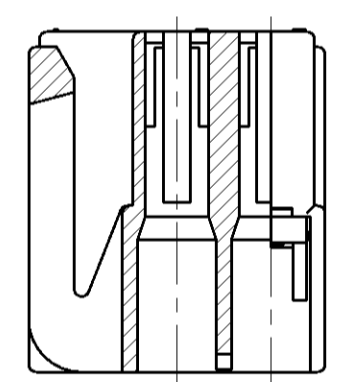


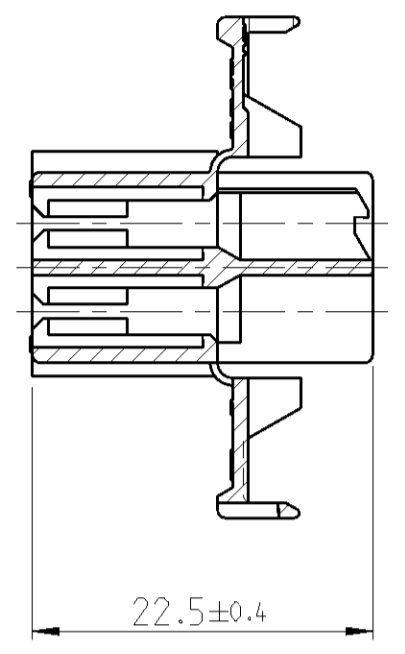
LOC		DIST		REVISIONS			
P	LTR	DESCRIPTION	DATE	DWN	APVD		
AL	2						
	E1	ECR 12-004643	17APR2012	XP	RS		



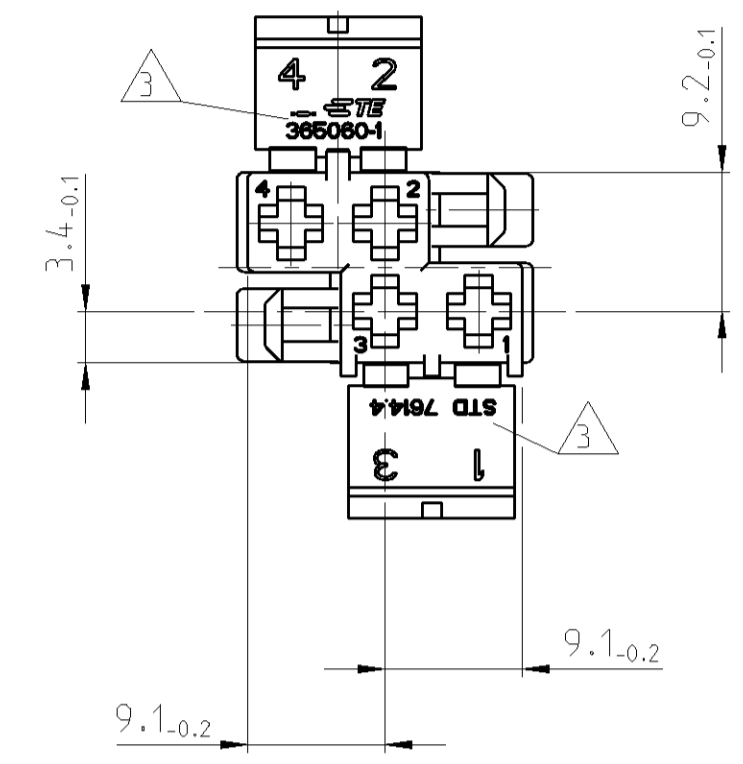
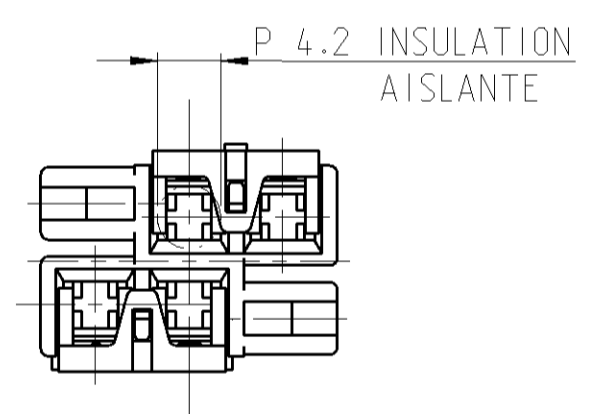
Seccion B-B SECTION



Seccion A-A SECTION

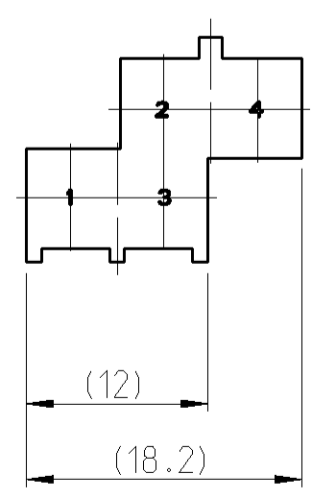


DETALLE CON BISAGRA CERRADA HOUSING WITH CLOSED FLAP

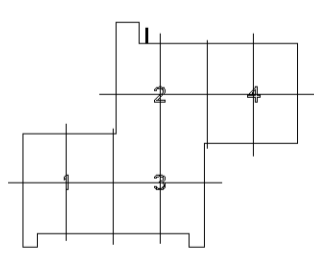


1. MATERIAL Y COLORES HAN DE ESTAR LIBRES DE CADMIO
MATERIAL AND COLORS ARE FREE OF CADMIUM
2. ALTURA LETRA 2
CHARACTER HEIGHT 2
3. ALTURA LETRA 1
CHARACTER HEIGHT 1
4. USAR CON 365059
FITTING WITH 365059
5. LAS PIEZAS DEBEN IR EMPAQUETADAS HERMETICAMENTE Y SU CONTENIDO DE HUMEDAD DEBE SER 2.5±1%
PARTS MUST BE AIR TIGHT PACKAGED, MOISTURE CONTENT MUST BE 2.5±1%

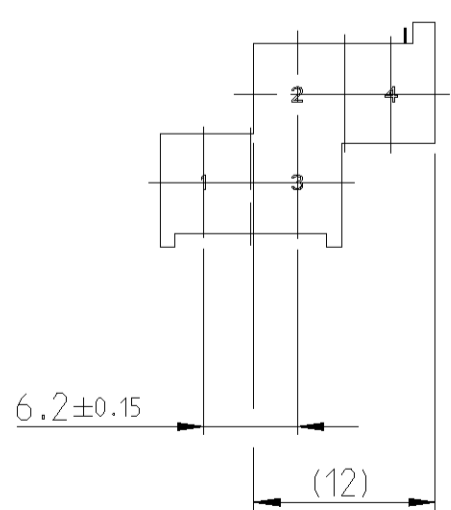
CODIGO 1 CODING



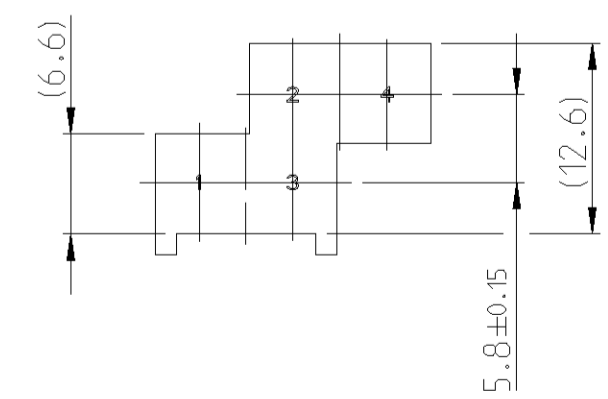
CODIGO 2 CODING



CODIGO 3 CODING



CODIGO 4 CODING



CODE NO.	PART NO.	MATERIAL	COLOUR
CODE 4	365060-4	PA 6.6	YELLOW
CODE 3	365060-3	PA 6.6	BLACK
CODE 2	365060-2	PA 6.6	GREY
CODE 1	365060-1	PA 6.6	NATUR

THIS DRAWING IS A CONTROLLED DOCUMENT.		DWN R. ULLRICH 25OCT1984	TE Connectivity 4 POS. HOUSING FOR JUNIOR TIMER CONTACT		
DIMENSIONS: mm		CHK J. PASCUAL 15JUN1993			NAME
TOLERANCES UNLESS OTHERWISE SPECIFIED: 0 PLC ±, 1 PLC ±, 2 PLC ±±, 3 PLC ±±±, 4 PLC ±±±±		APVD L. BATILLO 15JUN1993			SIZE
MATERIAL SEE PART LIST		APPLICATION SPEC		CAGE CODE	
FINISH		WEIGHT		DRAWING NO.	
		CUSTOMER DRAWING		A200779	
		SCALE 2:1		SHEET 1 OF 1	
				REV E1	