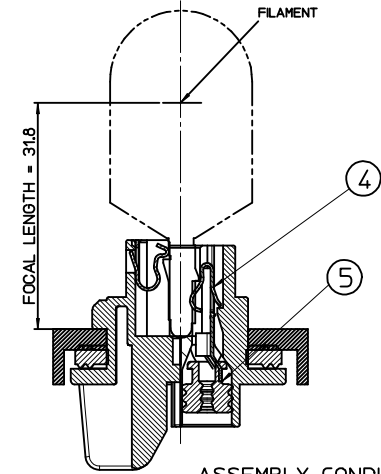


SECTION A-A



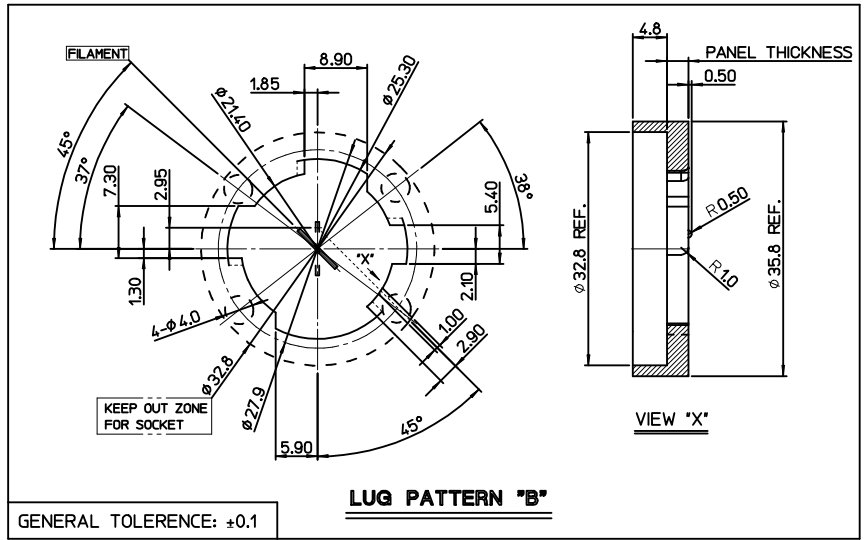
ASSEMBLY CONDITION

- <NOTE>
1. APPLICABLE LAMP : W21W(T20)
  2. PANEL THICKNESS : 3.0mm ±0.1
  3. MATES WITH

NO.	DESCRIPTION	MATERIAL	PART NO.	WIRE RANGE
④	SINGLE TERMINAL	BRASS	49869-9702	0.5~0.85mm <sup>2</sup>
⑤	WIRE SEAL - S	SILICONE	49454-9002	1.8~2.2mm(INS. DIA.)

<PARTS LIST>

NO.	DESCRIPTION	MATERIAL	USAGE	REMARK
①	T20 BULB SOCKET	NYLON46, GF 30%	1	BLACK
②	LAMP HOLDER	SUS	2	UNPLATED
③	FLOOR SEAL	SILICONE	1	WHITE



LUG PATTERN "B"

GENERAL TOLERANCE: ±0.1

<TABLE 1>

MATERIAL NO.	ORDER NO.	COLOR
1041340221	104134-0221	BLACK

<b>NEW RELEASE</b> EC NO: KTR2013-0011 DRWN:HI MOON 2013/08/28 CHKD:BC YOON 2013/08/28 APPR:JYCHOI 2013/09/04	QUALITY SYMBOLS ▽=0 ▽=0	GENERAL TOLERANCES (UNLESS SPECIFIED)		DIMENSION STYLE <b>MM ONLY</b>		SCALE	DESIGN UNITS	TITLE <b>W21W(T20) SEALED WEDGE BULB SOCKET 2P</b>
		4 PLACES ± --- ± --- 3 PLACES ± 0 ± --- 2 PLACES ± 0.2 ± --- 1 PLACE ± 0.30 ± ---		DRAWN BY SMK IM 2009/03/17		TITLE	METRIC	
		ANGULAR ± 1°		CHECKED BY BC YOON 2009/03/17		THIRD ANGLE PROJECTION		
		DRAFT WHERE APPLICABLE MUST REMAIN WITHIN DIMENSIONS		APPROVED BY JYCHOI 2013/09/04		MOLEX INCORPORATED		
REV <b>A</b>	DESCRIPTION <b>SD-104134-002</b>	SEE TABLE 1		MATERIAL NO.		DOCUMENT NO.		SHEET NO. 1 OF 00