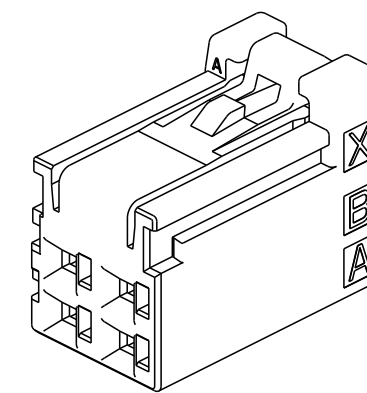


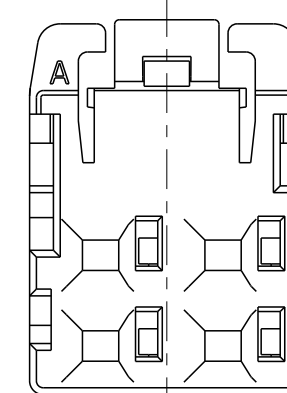
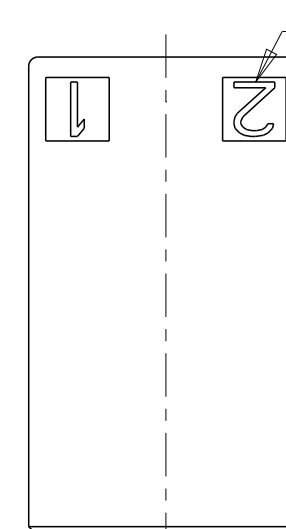
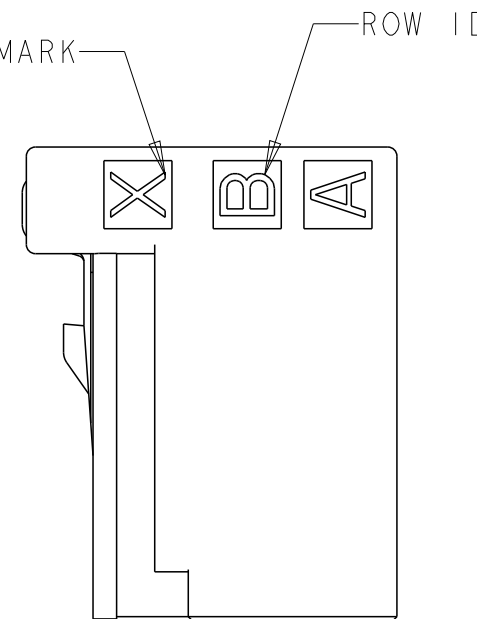
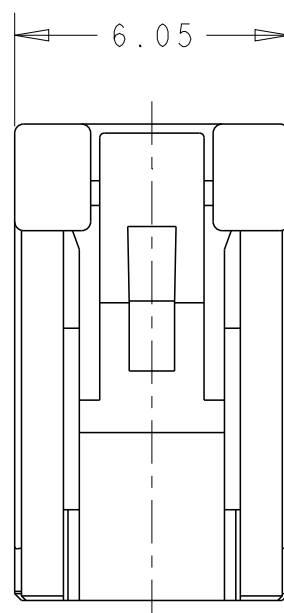
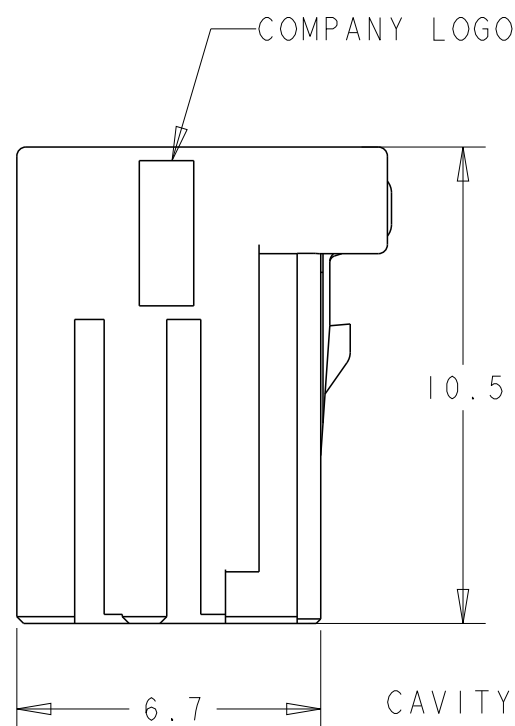
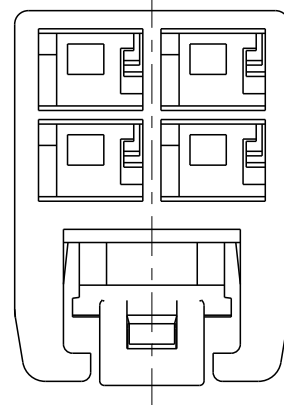
P	LTR	DESCRIPTION	DATE	DWN	APVD
	A	RELEASED	23MAR2021	Y.O	E.I
	B	REVISED	17JUN2021	Y.O	T.S
	C	REVISED	13JAN2022	Y.O	T.S

1. MATERIAL: GLASS FILLED THERMO PLASTIC POLYESTER(94V-0), COLOR: SEE TABLE CONTAMINATION Ø1.2 MAX
2. INSTRUCTION SHEET: 408-78197
3. CIRCUIT NUMBER IS CONSISTED ROW ID AND CIRCUIT ID
EX: A1, A2, B1, B2
REFER TO SHEET 5

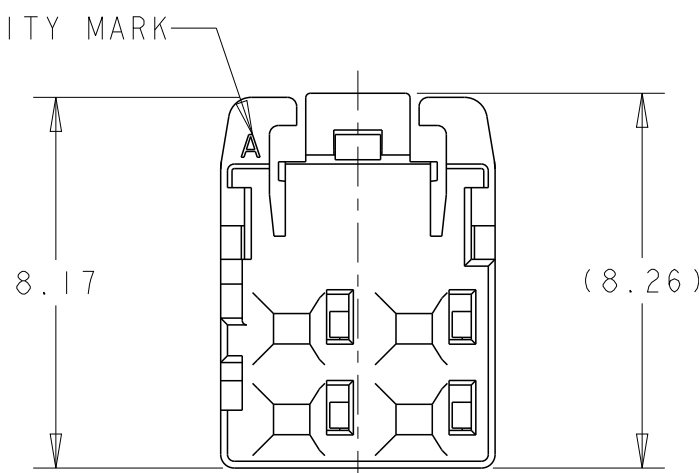


SCALE 4:1

COLOR	KEYING	POSN	PART NUMBER	
BLUE	Y	12	8-2366515-2	
	X		7-2366515-2	
NATURAL	Y		6-2366515-2	
	X		5-2366515-2	
BLACK	Y		4-2366515-2	
	X		3-2366515-2	
BLUE	Y		8	8-2366515-8
	X			7-2366515-8
NATURAL	Y			6-2366515-8
	X			5-2366515-8
BLACK	Y			2-2366515-8
	X			1-2366515-8
BLUE	Y	6		8-2366515-6
	X			7-2366515-6
NATURAL	Y		6-2366515-6	
	X		5-2366515-6	
BLACK	Y		2-2366515-6	
	X		1-2366515-6	
BLUE	Y	4	8-2366515-4	
	X		7-2366515-4	
NATURAL	Y		6-2366515-4	
	X		5-2366515-4	
BLACK	Y	2-2366515-4		
	X	1-2366515-4		



2-2366515-4
Y KEY 4POSN



1-2366515-4
X KEY 4POSN

THIS DRAWING IS A CONTROLLED DOCUMENT.

DIMENSIONS:	TOLERANCES UNLESS OTHERWISE SPECIFIED:
mm	±0.5, ±3°
	0 PLC ±-
	1 PLC ±0.5
	2 PLC ±0.13
	3 PLC ±0.013
	4 PLC ±0.0001
	ANGLES ±-
MATERIAL	FINISH
SEE NOTE	-

DWN	Y. OKADA	12MAY2020
CHK	T. SHIMOYASU	12MAY2020
APVD	E. IKEMATSU	12MAY2020
PRODUCT SPEC	108-140257	
APPLICATION SPEC	-	
WEIGHT	-	
CUSTOMER DRAWING	-	

TE TE Connectivity

NAME: RECEPTACLE HOUSING, D1000 SLIM, DYNAMIC

SIZE	CAGE CODE	DRAWING NO	RESTRICTED TO
A3	00779	C-2366515	-

SCALE 6:1 SHEET 1 OF 5 REV C

REVISIONS

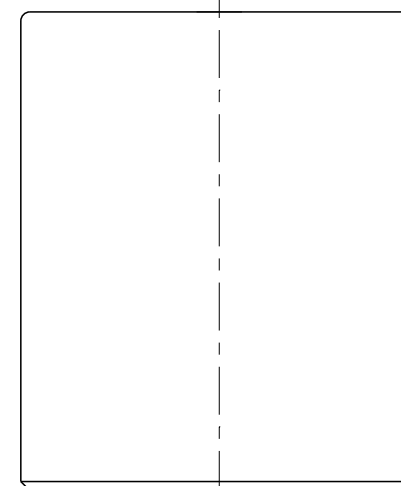
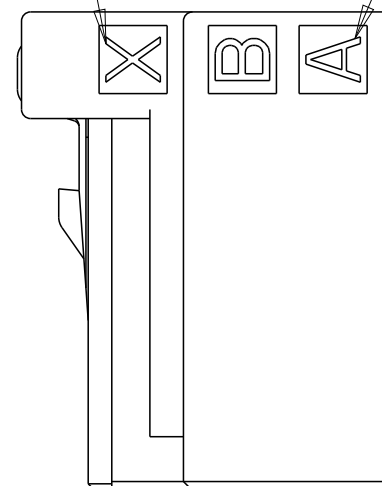
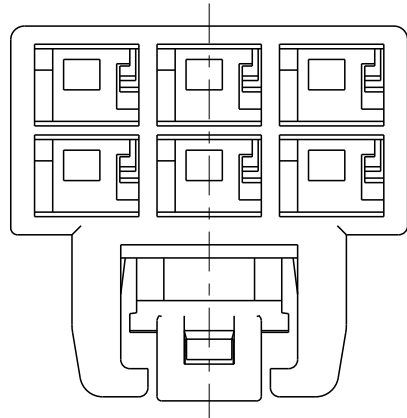
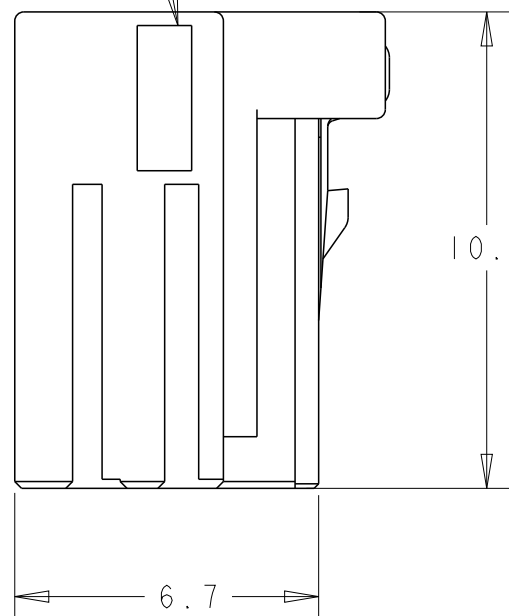
P	LTR	DESCRIPTION	DATE	DWN	APVD
	-	SEE SHEET 1	-	-	-

COMPANY LOGO

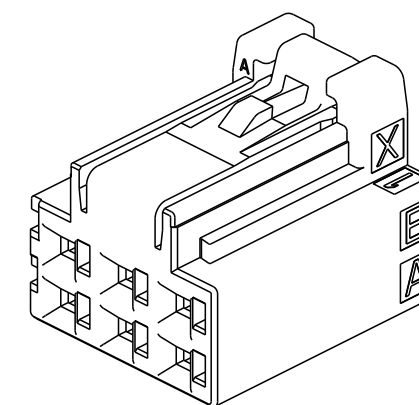
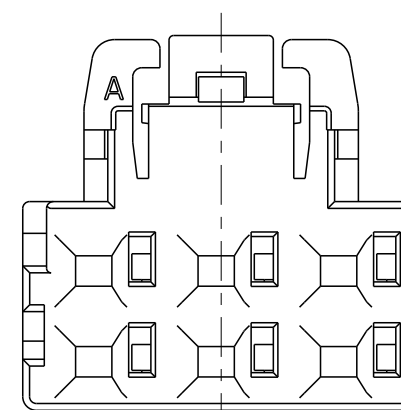
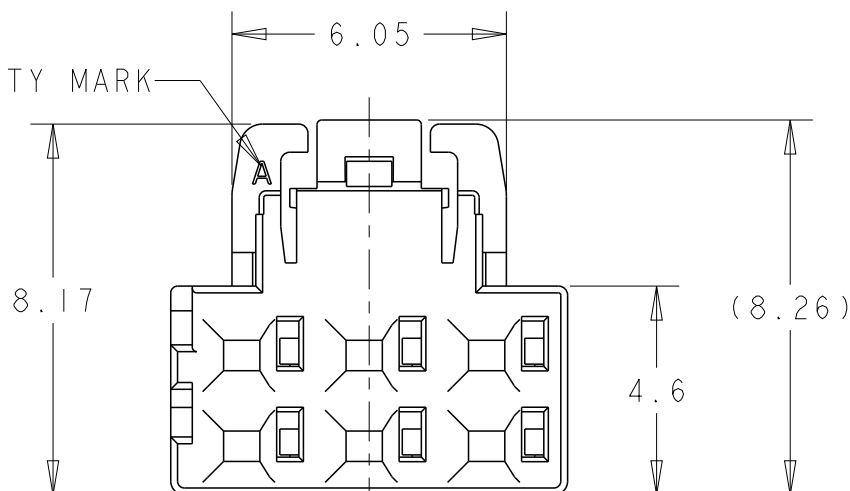
CIRCUIT ID

KEYING MARK

ROW ID



CAVITY MARK



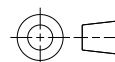
SCALE 4:1

2-2366515-6
Y KEY 6POSN

1-2366515-6
X KEY 6POSN

THIS DRAWING IS A CONTROLLED DOCUMENT.

DIMENSIONS:
mm



TOLERANCES UNLESS OTHERWISE SPECIFIED:	
0-PLC	±
1-PLC	±0.5
2-PLC	±0.13
3-PLC	±0.013
4-PLC	±0.0001
ANGLES	±
FINISH	-

MATERIAL
SEE NOTE

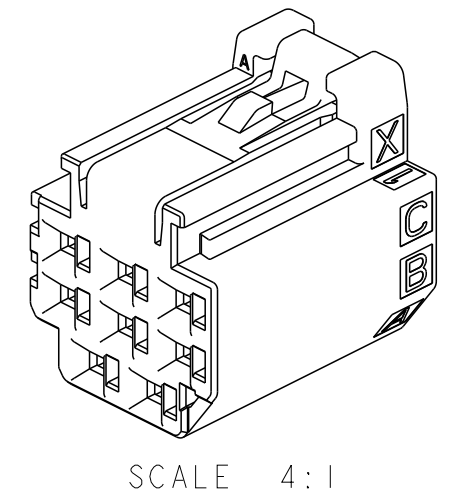
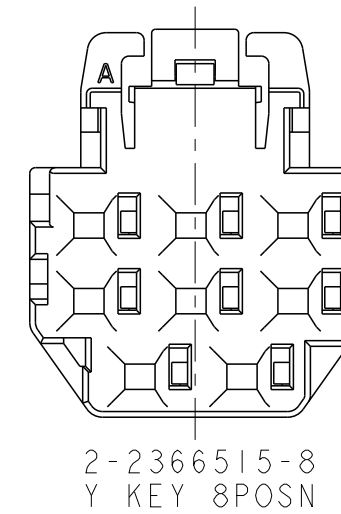
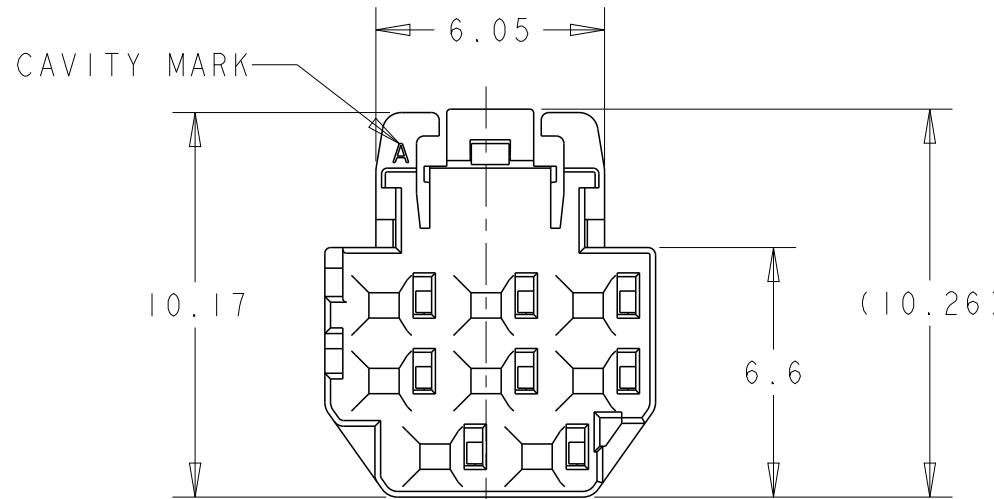
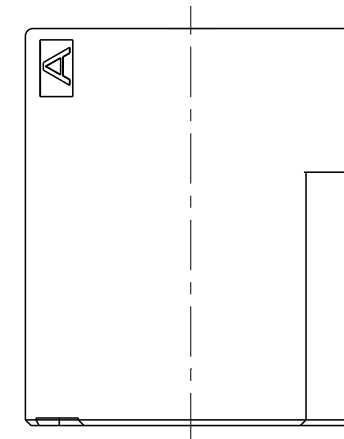
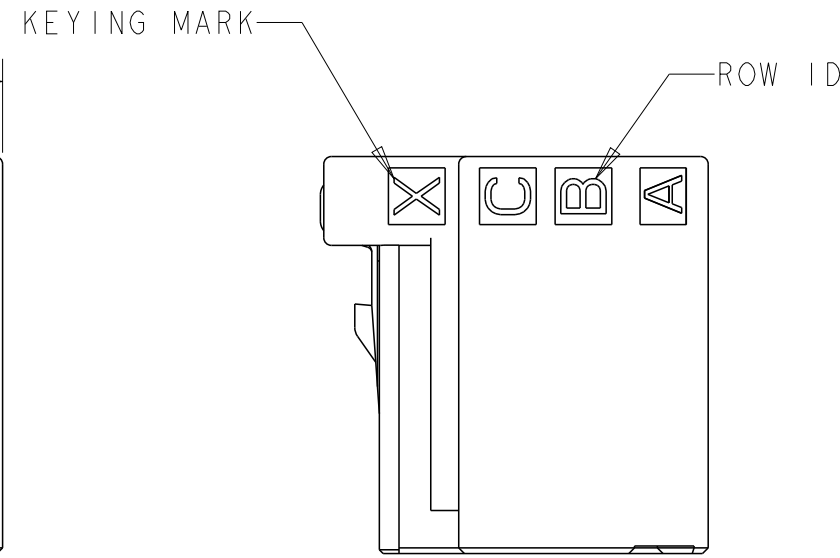
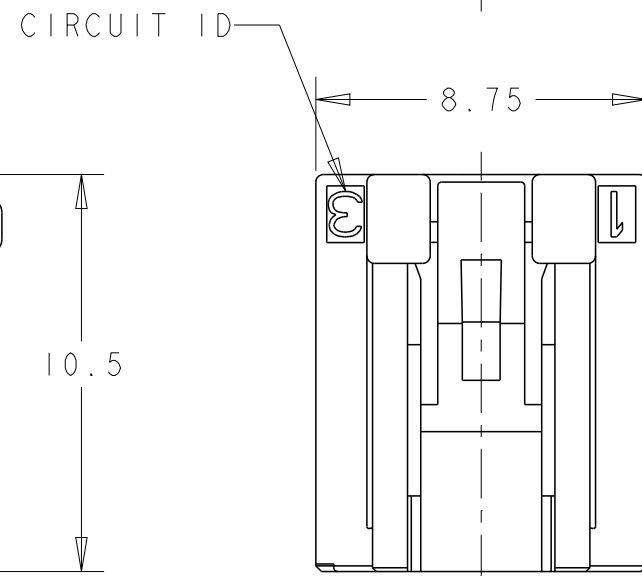
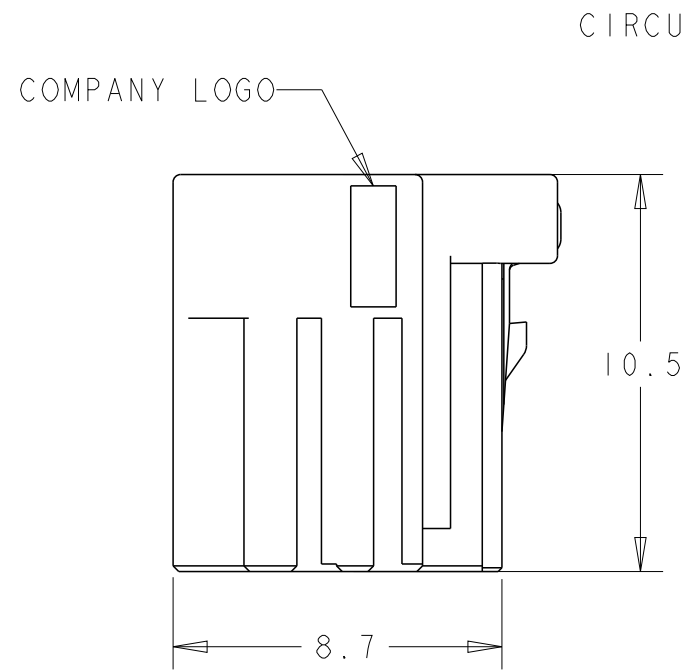
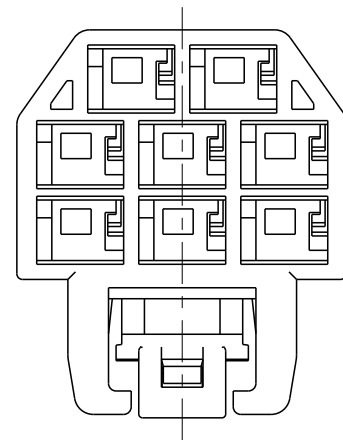
DWN	Y. OKADA	12MAY2020
CHK	T. SHIMOYASU	12MAY2020
APVD	E. IKEMATSU	12MAY2020
PRODUCT SPEC	108-140257	
APPLICATION SPEC	-	
WEIGHT	-	
CUSTOMER DRAWING		



NAME
RECEPTACLE HOUSING,
D1000 SLIM, DYNAMIC

SIZE	CAGE CODE	DRAWING NO	RESTRICTED TO
A3	00779	C-2366515	-
SCALE 6:1		SHEET 2 OF 5	REV C

P	LTR	DESCRIPTION	DATE	DWN	APVD
-	-	SEE SHEET 1	-	-	-

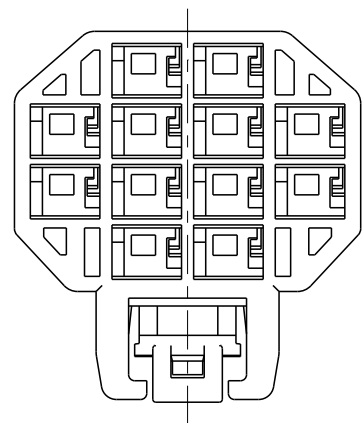


1-2366515-8
X KEY 8 POSN

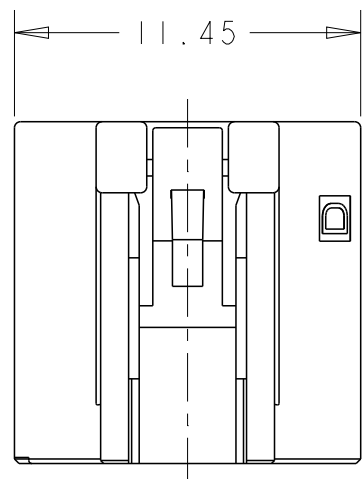
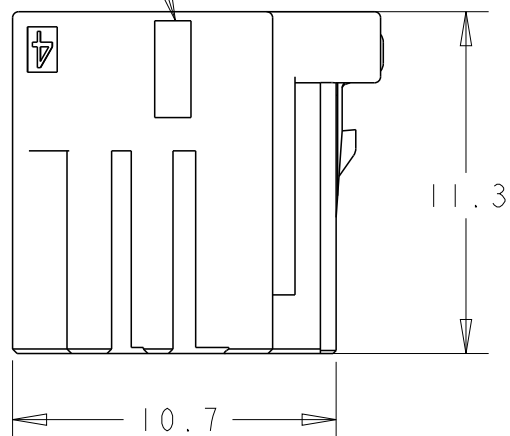
THIS DRAWING IS A CONTROLLED DOCUMENT.		DWN Y. OKADA 12MAY2020																
DIMENSIONS: mm		CHK T. SHIMOYASU 12MAY2020																
TOLERANCES UNLESS OTHERWISE SPECIFIED: ±0.5, ±3°		APVD E. IKEMATSU 12MAY2020	NAME RECEPTACLE HOUSING, D1000 SLIM, DYNAMIC															
<table border="1"> <tr><td>0-PLC</td><td>±</td></tr> <tr><td>1-PLC</td><td>±0.5</td></tr> <tr><td>2-PLC</td><td>±0.13</td></tr> <tr><td>3-PLC</td><td>±0.013</td></tr> <tr><td>4-PLC</td><td>±0.0001</td></tr> <tr><td>ANGLES</td><td>±</td></tr> </table>		0-PLC	±	1-PLC	±0.5	2-PLC	±0.13	3-PLC	±0.013	4-PLC	±0.0001	ANGLES	±	PRODUCT SPEC 108-140257	SIZE A3	CAGE CODE 00779	DRAWING NO C-2366515	RESTRICTED TO -
0-PLC	±																	
1-PLC	±0.5																	
2-PLC	±0.13																	
3-PLC	±0.013																	
4-PLC	±0.0001																	
ANGLES	±																	
MATERIAL SEE NOTE		APPLICATION SPEC -	SCALE 5:1		SHEET 3 OF 5	REV C												
-		WEIGHT -	CUSTOMER DRAWING															

REVISIONS

P	LTR	DESCRIPTION	DATE	DWN	APVD
	-	SEE SHEET 1	-	-	-



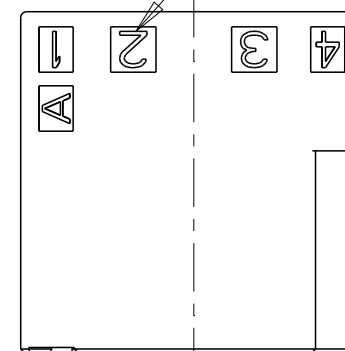
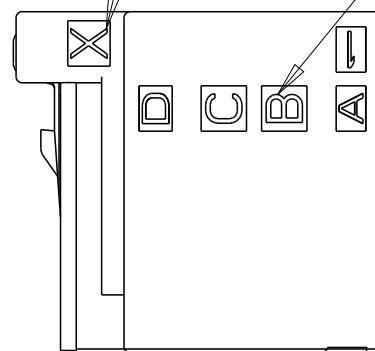
COMPANY LOGO



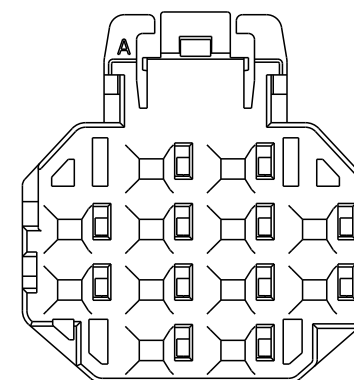
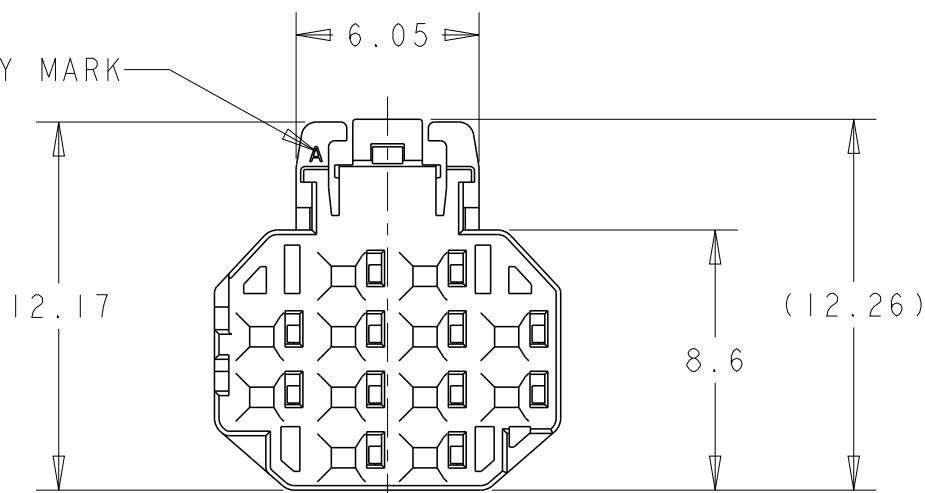
KEYING MARK

ROW ID

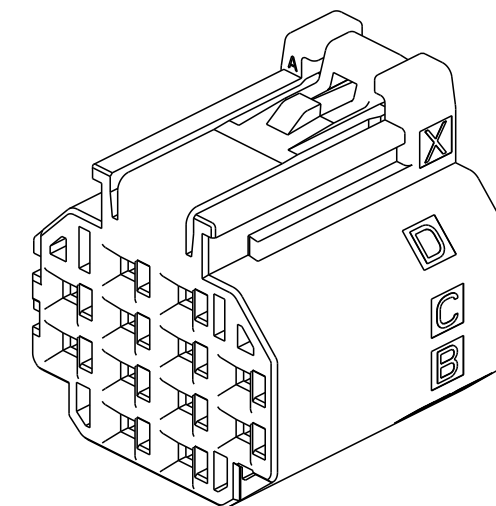
CIRCUIT ID



CAVITY MARK



4-2366515-2
Y KEY 12 POSN



3-2366515-2
X KEY 12 POSN

THIS DRAWING IS A CONTROLLED DOCUMENT.

DIMENSIONS: mm	TOLERANCES UNLESS OTHERWISE SPECIFIED: ±0.5, ±3°
	0-PLC ±
	1-PLC ±0.5
	2-PLC ±0.13
	3-PLC ±0.013
	4-PLC ±0.0001
	ANGLES ±
MATERIAL SEE NOTE	FINISH -

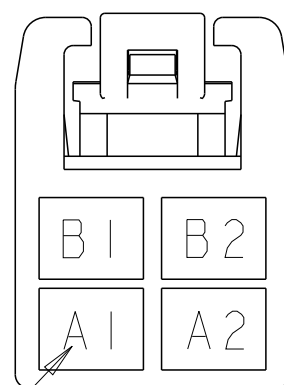
DWN Y. OKADA	12MAY2020
CHK T. SHIMOYASU	12MAY2020
APVD E. IKEMATSU	12MAY2020
PRODUCT SPEC	108-140257
APPLICATION SPEC	-
WEIGHT	-
CUSTOMER DRAWING	



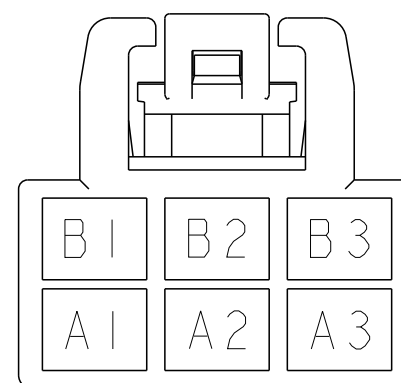
NAME RECEPTACLE HOUSING, D1000 SLIM, DYNAMIC				RESTRICTED TO
SIZE A3	CAGE CODE 00779	DRAWING NO C-2366515		
SCALE 4:1	SHEET 4 OF 5	REV C		

REVISIONS

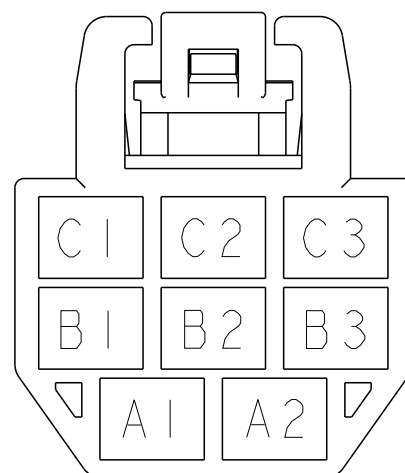
P	LTR	DESCRIPTION	DATE	DWN	APVD
	-	SEE SHEET 1	-	-	-



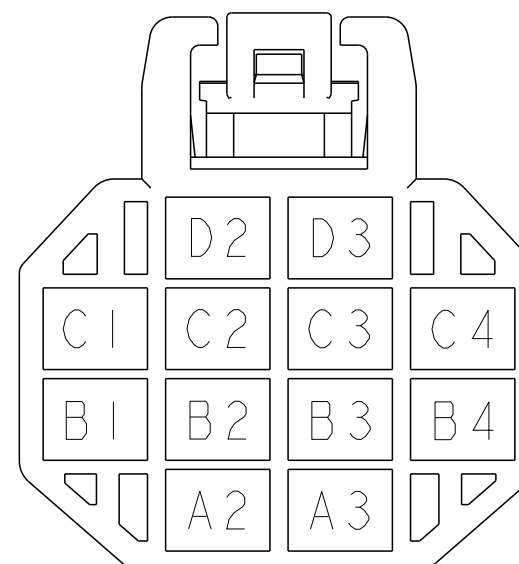
CIRCUIT NUMBER 4 POSN



6 POSN



8 POSN



12 POSN

THIS DRAWING IS A CONTROLLED DOCUMENT.		DWN Y. OKADA 12MAY2020		
DIMENSIONS: mm		CHK T. SHIMOYASU 12MAY2020		
		APVD E. IKEMATSU 12MAY2020	NAME RECEPTACLE HOUSING, D1000 SLIM, DYNAMIC	
TOLERANCES UNLESS OTHERWISE SPECIFIED: ± 0.5, ± 3°		PRODUCT SPEC 108-140257	RESTRICTED TO	
MATERIAL SEE NOTE		APPLICATION SPEC -	SIZE A3	CAGE CODE 00779
FINISH -		WEIGHT -	DRAWING NO C-2366515	
-		CUSTOMER DRAWING	SCALE 6:1	SHEET 5 OF 5
				REV C