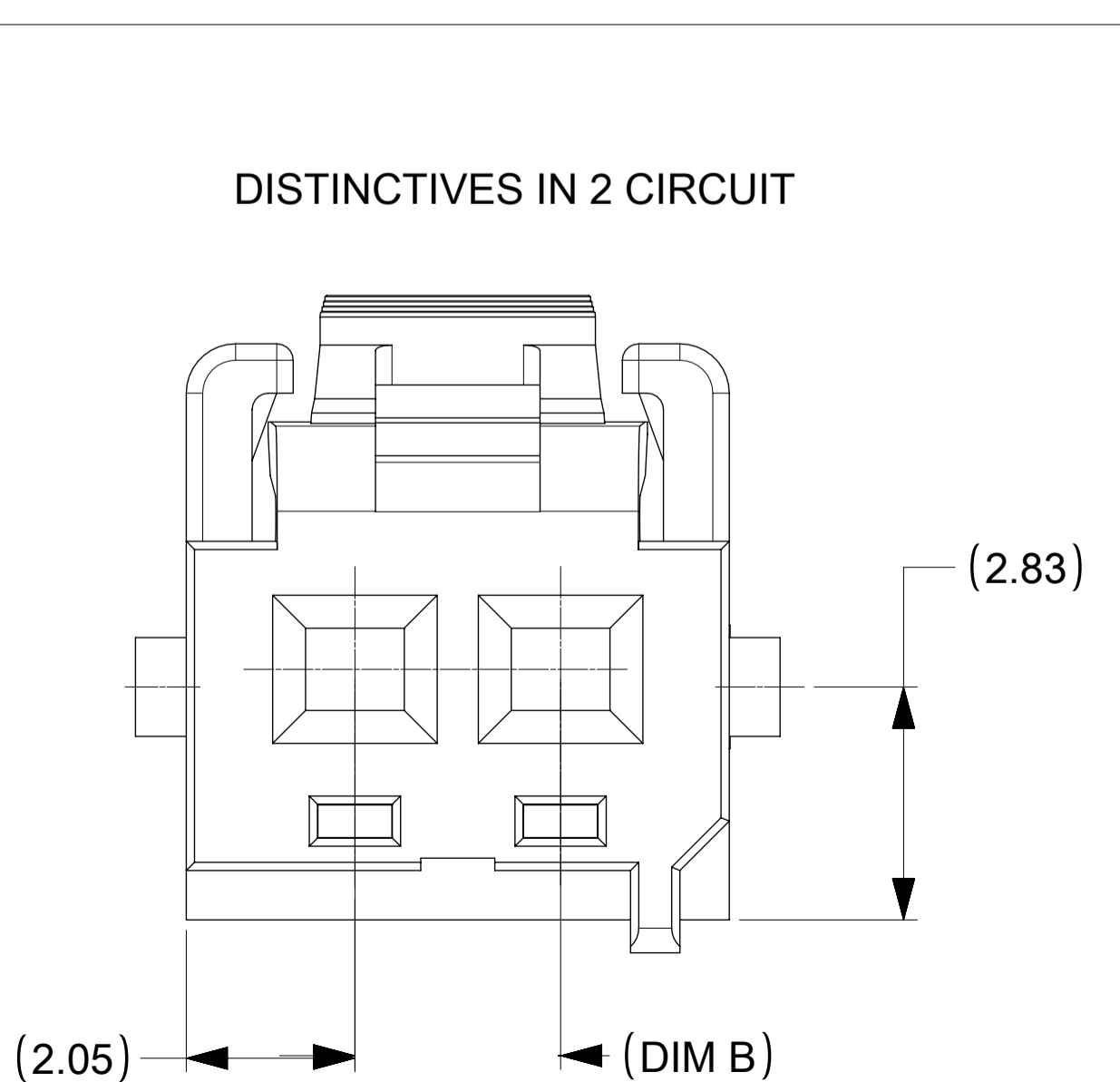
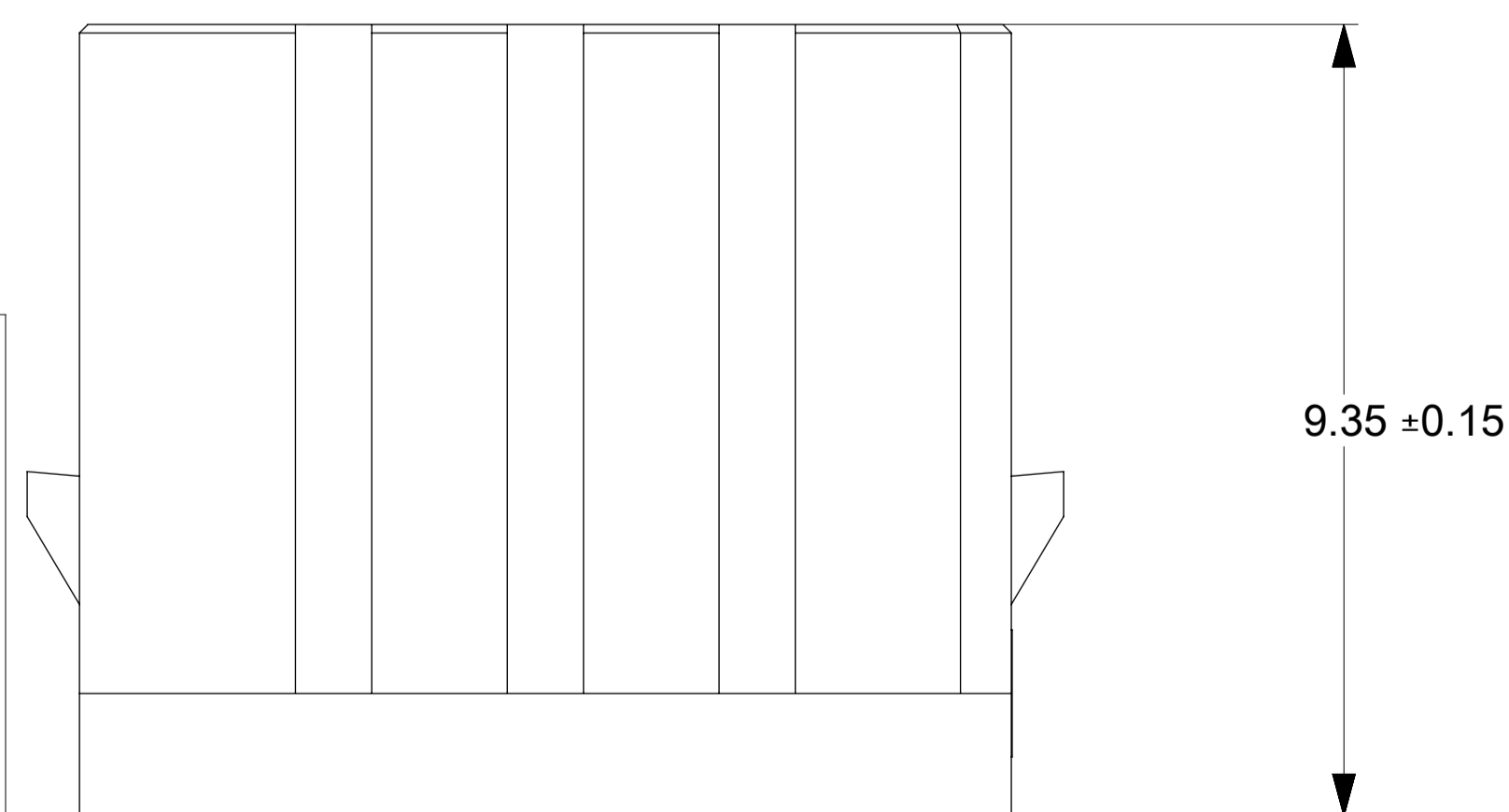
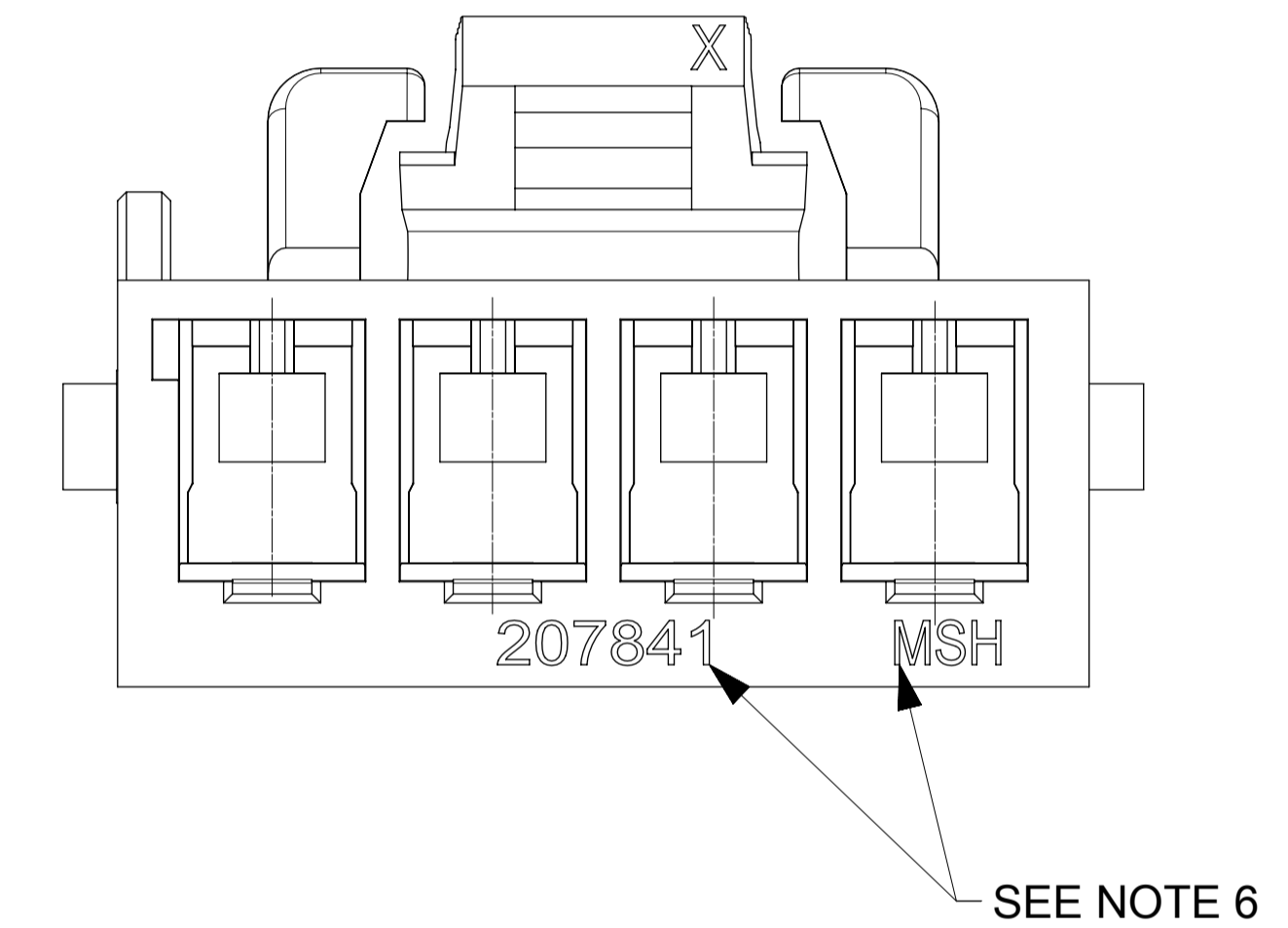
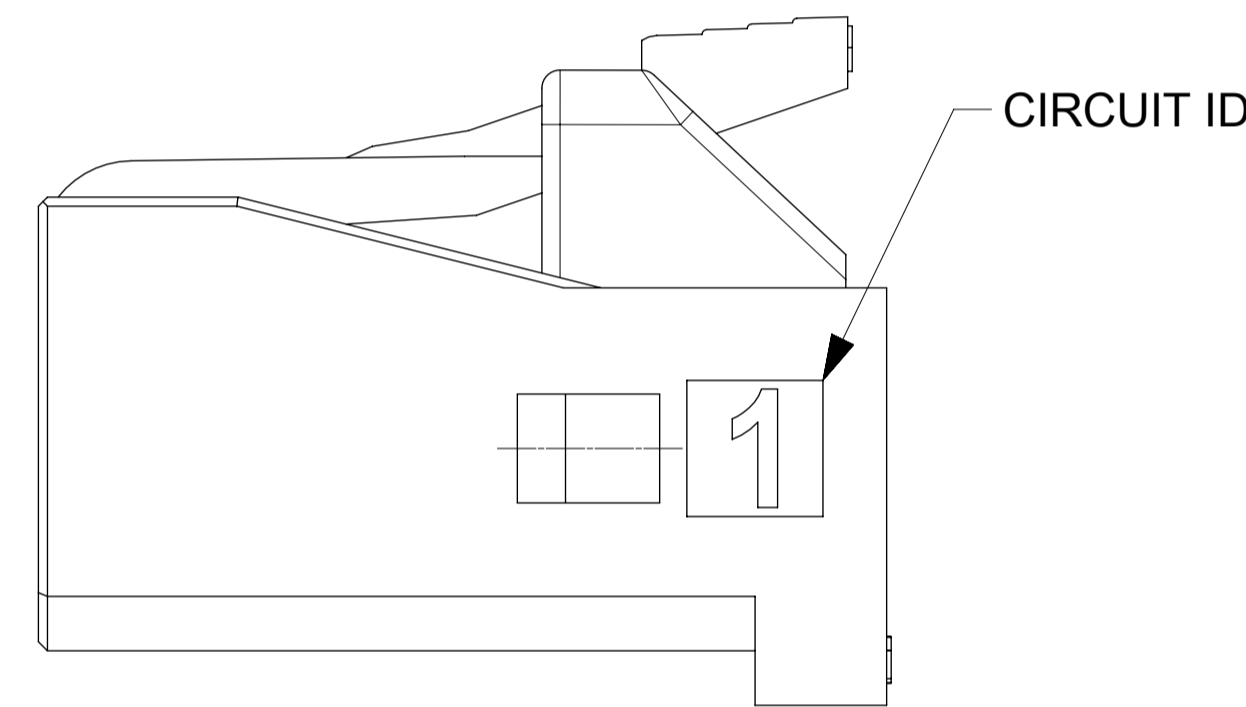
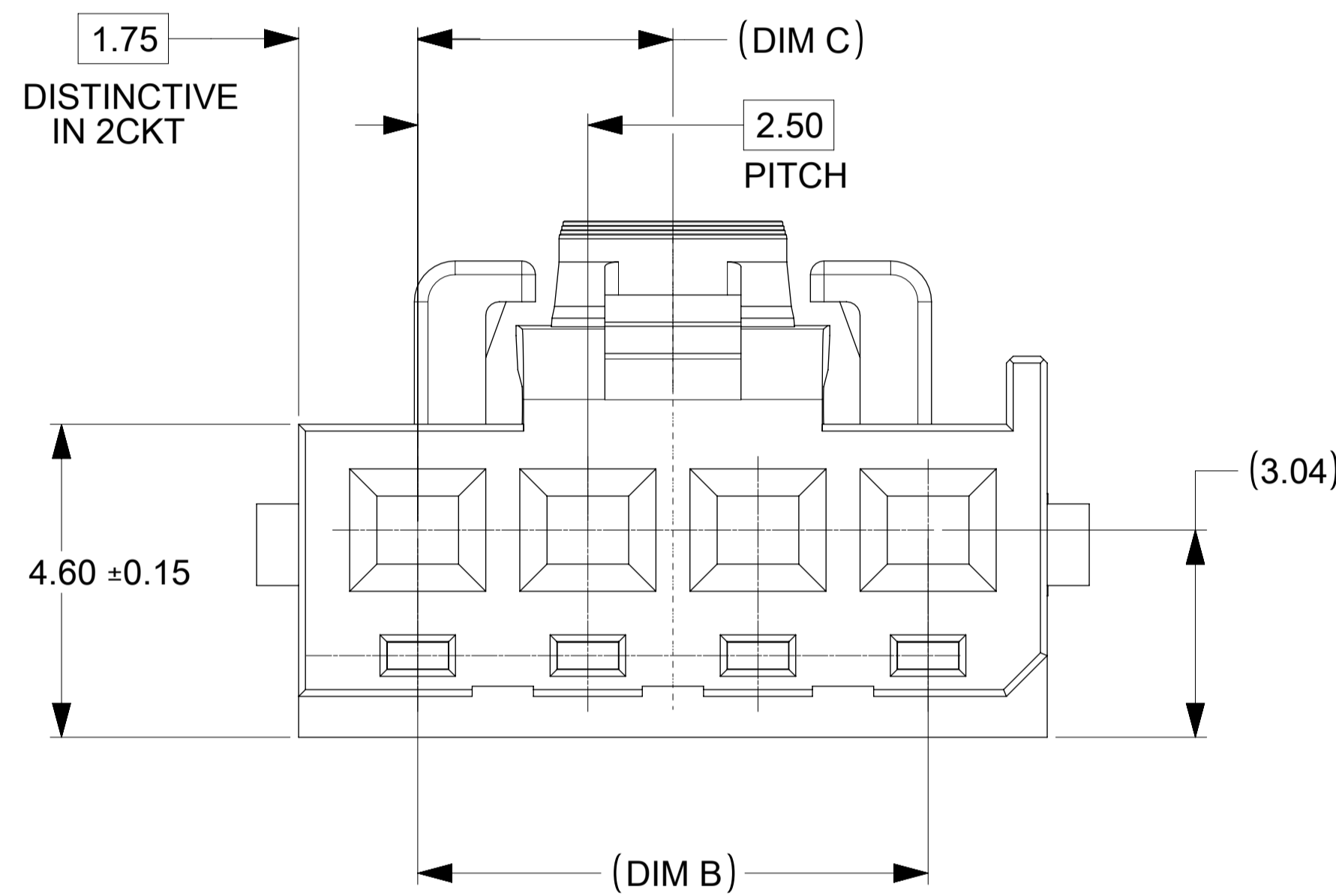


ISOMETRIC VIEW FOR 4 CIRCUIT



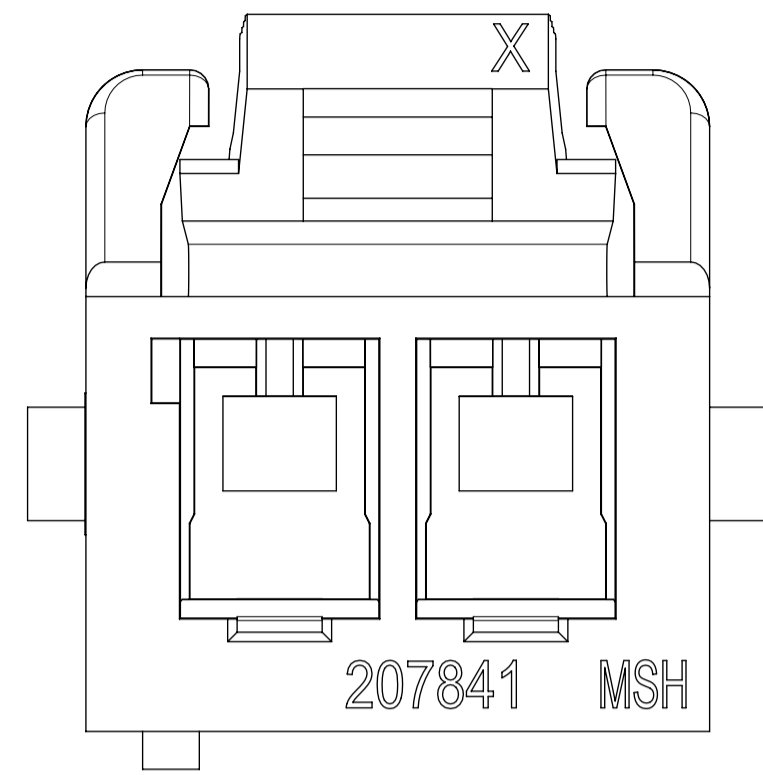
- NOTES:**  
 1. MATERIAL: PA66, UL 94V-0, COLOR-BLACK  
 2. PRODUCT SPECIFICATION: 2079020001-PS  
 3. PACKAGING SPECIFICATION: 2078410000-PK  
 4. COSMETIC SPECIFICATION: PS-45499-002 CLASS B  
 5. HOUSING ACCEPTS TERMINALS FROM 46626 SERIES  
 6. MOLEX LOGO AND SERIES ID

CKT	PART NUMBER	DIM.A	DIM. B	DIM. C
02	2078410002	6.61	2.50	1.25
03	2078410003	8.50	5.00	2.50
04	2078410004	11.00	7.50	3.75
05	2078410005	13.50	10.00	5.00
06	2078410006	16.00	12.50	6.25
07	2078410007	18.50	15.00	7.50
08	2078410008	21.00	17.50	8.75

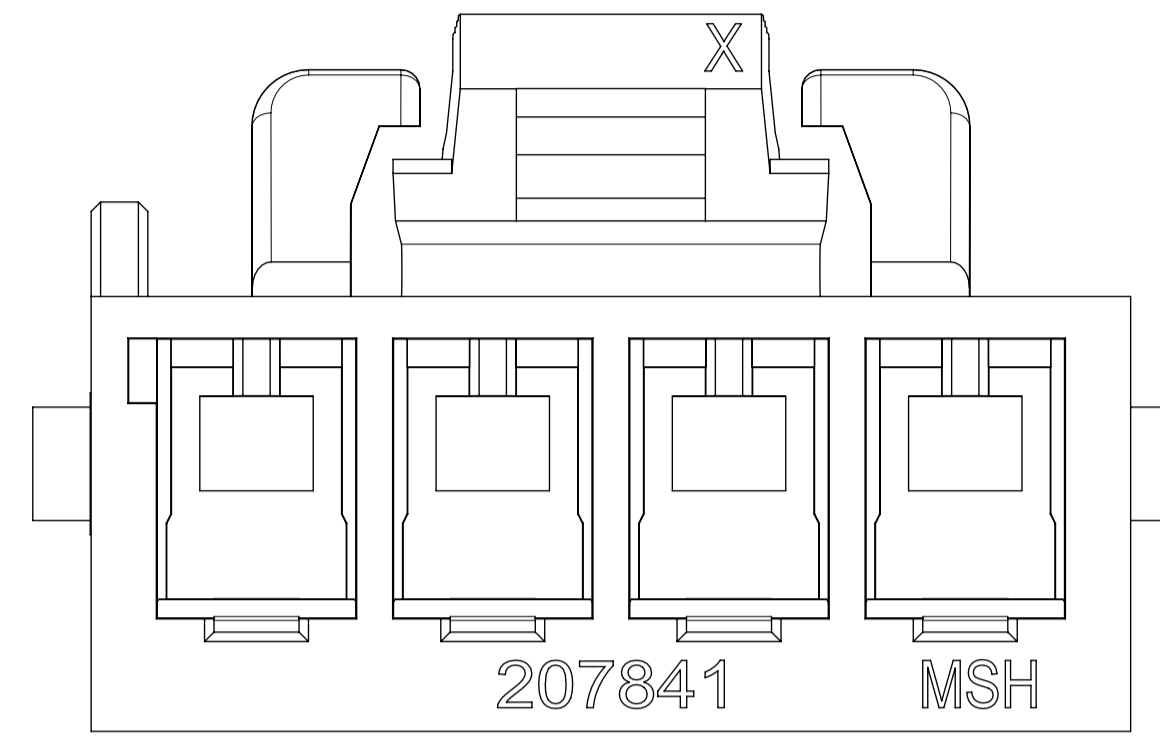
SYMBOLS ▽ = 0 ▽ = 0 ▽ = 0 ▽ = 0 ▽ = 0 ▽ = 0 ▽ = 0 ▽ = 0 ▽ = 0 ▽ = 0 ▽ = 0 ▽ = 0 ▽ = 0 ▽ = 0 ▽ = 0			THIS DRAWING CONTAINS INFORMATION THAT IS PROPRIETARY TO MOLEX ELECTRONIC TECHNOLOGIES, LLC AND SHOULD NOT BE USED WITHOUT WRITTEN PERMISSION DIMENSION UNITS: mm SCALE: 10:1 GENERAL TOLERANCES (UNLESS SPECIFIED) ANGULAR TOL: ± 0.5° 4 PLACES ± 3 PLACES ± 2 PLACES ± 0.25 1 PLACE ± 0.3 0 PLACES ± DRAFT WHERE APPLICABLE MUST REMAIN WITHIN DIMENSIONS		CURRENT REV DESC: EC NO: 706742 DRWN: SHRUTJ 2022/04/20 CHK'D: SHRUTJ 2022/05/13 APPR: ISHWARG 2022/05/13 INITIAL REVISION: DRWN: SUDAYGUNAGI 2018/06/18 APPR: ISHWARG 2019/02/20 THIRD ANGLE PROJECTION DRAWING: A1-SIZE SERIES: 207841			<p>RECEPTACLE HOUSING FOR KK PLUS 250</p> <p>PRODUCT CUSTOMER DRAWING</p> <table border="1"> <tr> <td>DOCUMENT NUMBER</td> <td>DOC TYPE</td> <td>DOC PART</td> <td>REVISION</td> </tr> <tr> <td>2078410004-SD</td> <td>PSD</td> <td>000</td> <td>A2</td> </tr> </table> <table border="1"> <tr> <td>MATERIAL NUMBER</td> <td>CUSTOMER</td> <td>SHEET NUMBER</td> </tr> <tr> <td></td> <td></td> <td>1 OF 2</td> </tr> </table>			DOCUMENT NUMBER	DOC TYPE	DOC PART	REVISION	2078410004-SD	PSD	000	A2	MATERIAL NUMBER	CUSTOMER	SHEET NUMBER			1 OF 2
DOCUMENT NUMBER	DOC TYPE	DOC PART	REVISION																					
2078410004-SD	PSD	000	A2																					
MATERIAL NUMBER	CUSTOMER	SHEET NUMBER																						
		1 OF 2																						

POLARIZATION

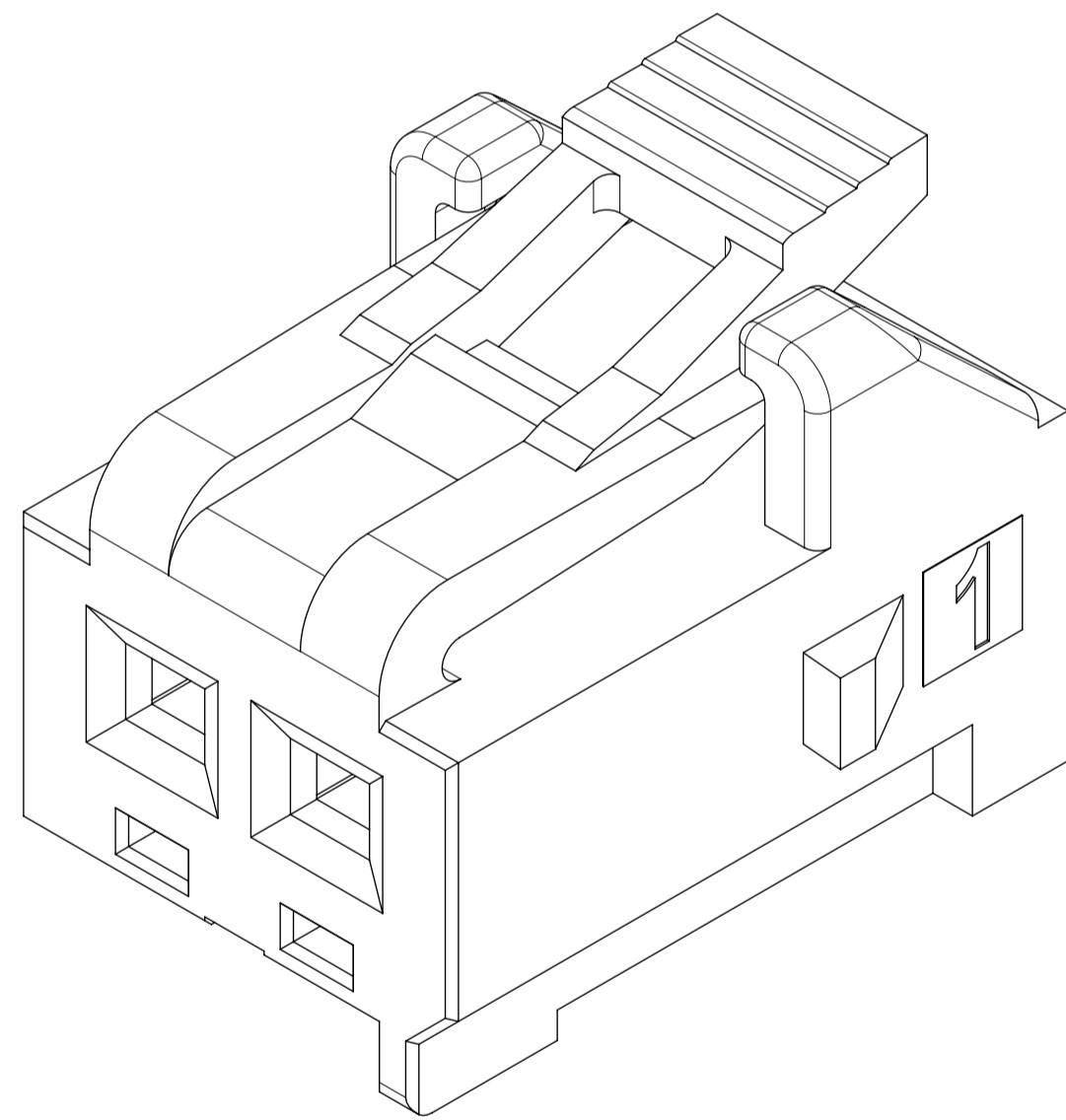
2 & 3 CKT



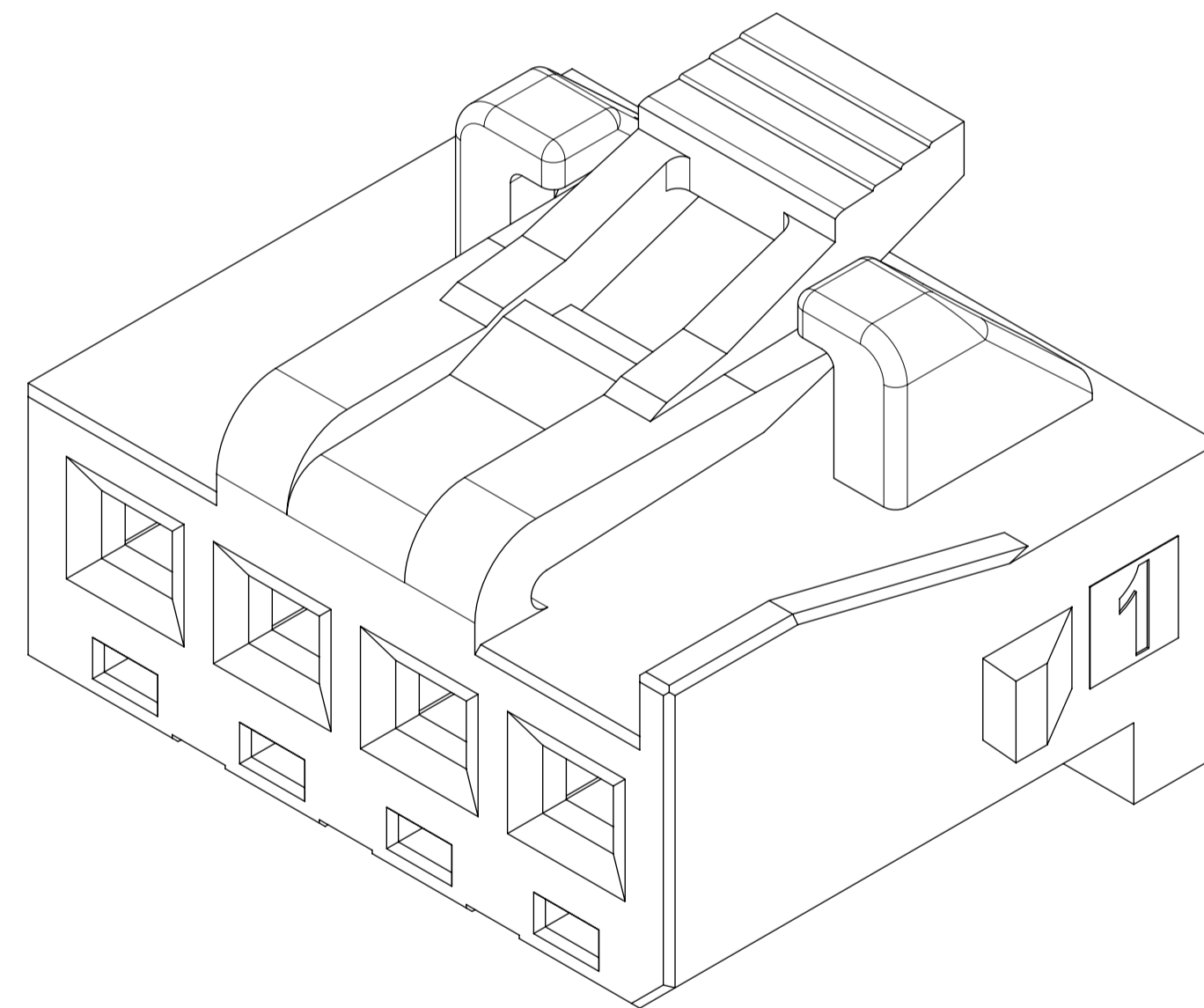
4 TO 10 CKT



ISOMETRIC OF 2 & 3 CKT



ISOMETRIC OF 4 TO 10 CKT



SYMBOLS		THIS DRAWING CONTAINS INFORMATION THAT IS PROPRIETARY TO MOLEX ELECTRONIC TECHNOLOGIES, LLC AND SHOULD NOT BE USED WITHOUT WRITTEN PERMISSION		CURRENT REV DESC:			<b>molex</b>		
DIMENSION UNITS	SCALE				RECEPTACLE HOUSING FOR KK PLUS 250				
▽ = 0	mm	10:1							
▽ = 0	GENERAL TOLERANCES (UNLESS SPECIFIED)								
▽ = 0	ANGULAR TOL ± 0.5°								
▽ = 0	4 PLACES	±	EC NO: 706742						
▽ = 0	3 PLACES	±	DRWN: SHRUTJ 2022/04/20						
▽ = 0	2 PLACES	± 0.25	CHK'D: SHRUTJ 2022/05/13						
▽ = 0	1 PLACE	± 0.3	APPR: ISHWARG 2022/05/13						
□ = 0	DRAFT WHERE APPLICABLE MUST REMAIN WITHIN DIMENSIONS		INITIAL REVISION:			PRODUCT CUSTOMER DRAWING			
□ = 0			DRWN: SUDAYGUNAGI 2018/06/18			DOCUMENT NUMBER			
			APPR: ISHWARG 2019/02/20			DOC TYPE   DOC PART   REVISION			
			THIRD ANGLE PROJECTION			2078410004-SD			
			DRAWING			PSD 000 A2			
			SERIES			MATERIAL NUMBER			
			A1-SIZE			CUSTOMER			
			207841			SHEET NUMBER			
						2 OF 2			