

New

HPMC-001

Hev 12V Choke 400nH / 261Adc

INDUCTIVE COMPONENTS / HIGH CURRENT DC CHOKE



APPLICATIONS

- › High current Output chokes

01 FEATURES

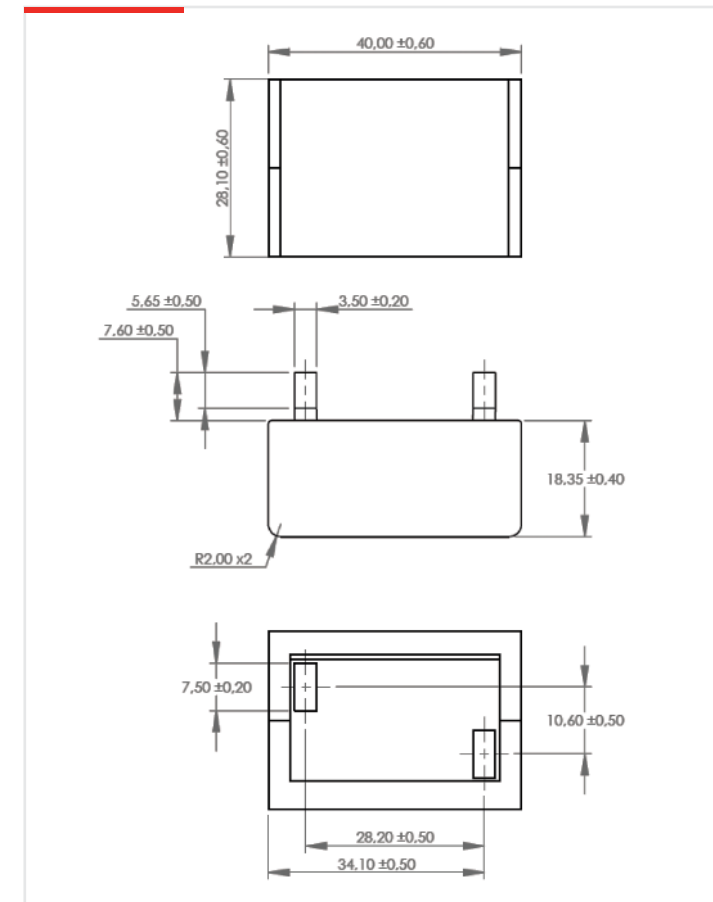
This HEV Premo current filter coil grants high reliability thanks to a great thermal performance. This filter coil is potted with CoolMag providing great heat dissipation helping to extract all the heat generated due to the high currents passing through the Choke.

Designs can be fully customized to meet any customer requirement.

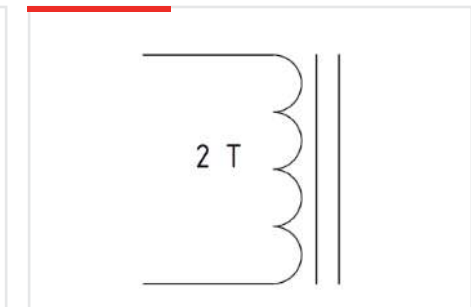
- › Filtering Choke
- › Pin Through Hole connection
- › Working frequency 100kHz
- › Total Output current up to 261Adc
- › 500V insulation between core & winding
- › Weight @145g
- › Operating temperature – 40 to 150°C
- › Storage temperature – 40 to 85°C

02 SPECIFICATIONS

DIMENSIONS (mm)



ELECTRICAL DIAGRAM



ELECTRICAL SPECIFICATIONS

TOPOLOGY	FILTER CHOKE
INPUT	
Voltage	50Vdc
OUTPUT	
Continuous Current	261 Apk
Peak Current (<10s)	311 Apk
Peak Current (<1s)	331 Apk
SWITCHING FREQUENCY	100 kHz
TOTAL OUTPUT POWER	3.5 kW