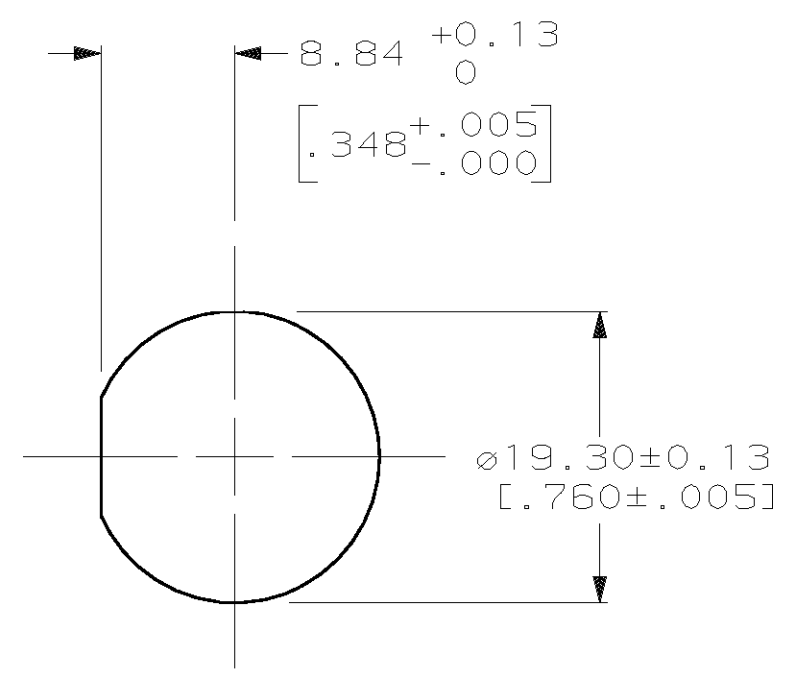
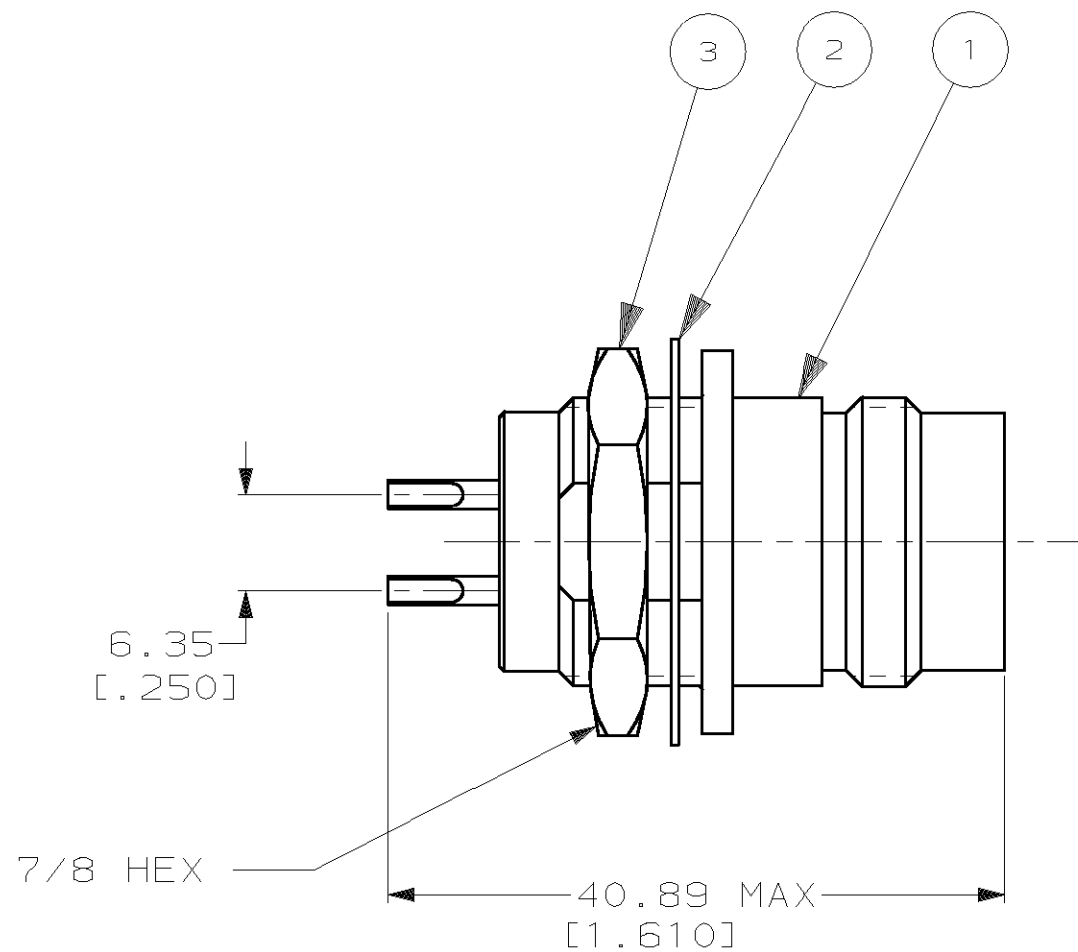


THIS DRAWING IS UNPUBLISHED. RELEASED FOR PUBLICATION, 19
 © COPYRIGHT 19 BY AMP INCORPORATED. ALL INTERNATIONAL RIGHTS RESERVED.

LOC	DIST	P	F	REVISIONS			DATE	APPD
AJ	16			ZONE	LTR	DESCRIPTION		
					F	REACTIVATE PER 0U20-0209-01	27MAR01	M0



SUGGESTED PANEL CUTOUT

1	JAM NUT	228310-1	3
1	LOCKWASHER	226970-2	2
1	SOLDER RECEPTACLE ASSY	228309-1	1
-1	QTY	DESCRIPTION	PART NO
			ITEM

DO NOT SCALE PRINT. UNLESS SPECIFIED DIMENSIONS IN INCHES TOLERANCES ON: 2 PLC DEC ± 0.20 [0.008] 3 PLC DEC ± - ANGLES ± -	DR	D. LAMAN	4-3-90	AMP INCORPORATED Harrisburg, Pa. 17105			
	CHK	R. E. RUTH	7/12/90				
	MATERIAL	APPD	R. HENRY	7/12/90	NAME SOLDER RECEPTACLE, BULKHEAD, SERIES TWIN		
	FINISH	APPD	R. E. RUTH	7/12/90			
	PRODUCT SPEC	108-12050		SIZE	FSCM NO	DRAWING NO	
	APPLICATION SPEC			B	00779	228284	
	WEIGHT			SCALE	2:1	SHEET	1 OF 1