

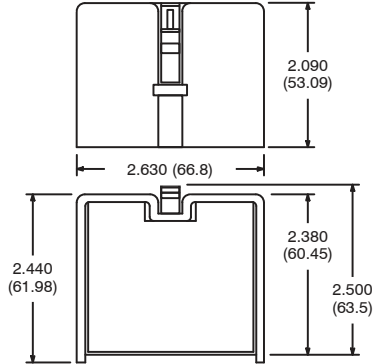
RLY9166

Features

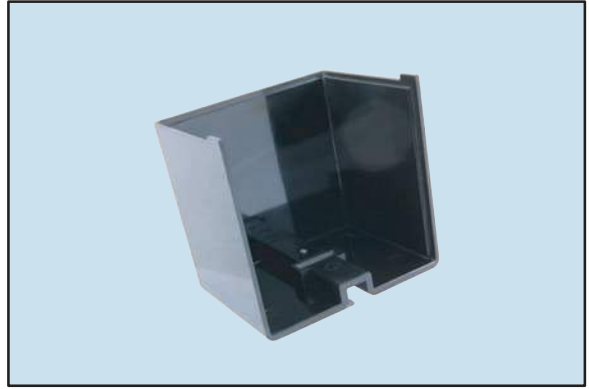
- Molded Plastic
- Attached Retaining Clip

Relay Applications:

RLY16 Series
RLY17 Series



Dust Cover



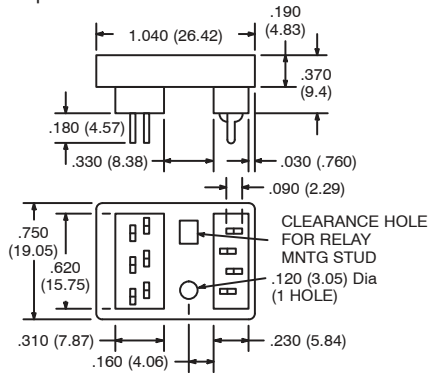
RLY9170

Features

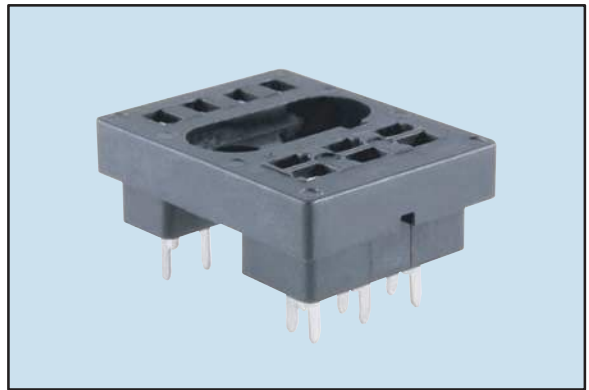
- PC Board Mount
- In-Line Solder Terminals

Electrical Rating:

300 Volts, 10 Amps



10-Pin Blade Socket



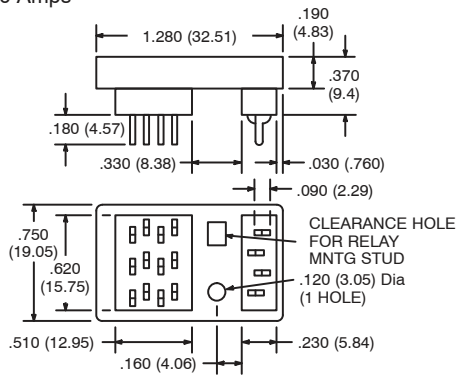
RLY9171

Features

- PC Board Mount
- In-Line Solder Terminals

Electrical Rating:

300 Volts, 10 Amps



16-Pin Blade Socket

