

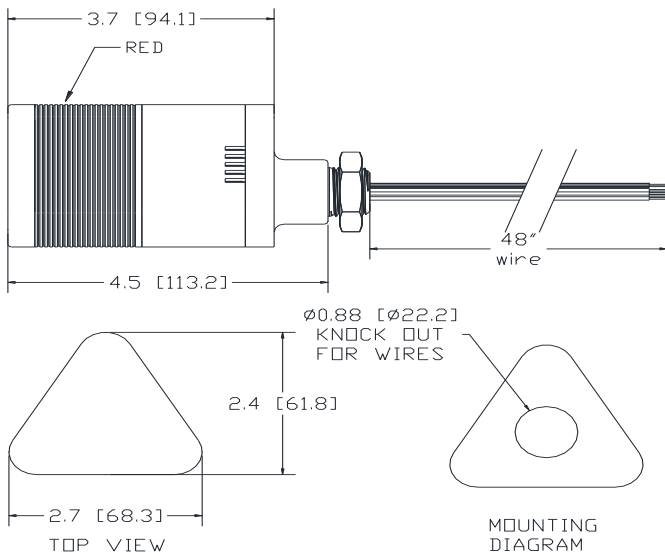
Sales Outline Drawing

Specifications:

| | | | | |
|------------------------|--|--|--|--|
| Stack Number: | 1 | | | |
| LED Color: | RED | | | |
| Connection Wires: | Red and Brown | | | |
| LED Current Draw: | <50 mA | | | |
| Rated Voltage: | 24 VAC/DC | | | |
| Operating Voltage: | 20-28 VAC/DC | | | |
| Sound Level Category: | Loud | Loud | Loud | Loud |
| Mode of Operation: | Continuous | Medium Pulse (5PPS) | Double Pulse (0.5PPS) | Continuous for 5 sec then 0.1s beep until reset |
| Connection: | Black and Gray Wires | Black and Gray Wires; Orange wire connected to | Black and Gray Wires; Purple wire connected to Green/Yellow wire | Black and Gray wires; Orange and Purple wires connected to Green/Yellow wire |
| Sound Current Draw: | 40mA Max. | 40mA Max. | 40mA Max. | 40mA Max. |
| Loudness @ 1m: | 80-85 dB(A) Typ. | | | |
| Frequency: | 2000 ± 500 Hz | | | |
| Total Max Current: | <90mA with all LED's and sound unit working | | | |
| Operating Temperature: | -25° ~ +60°C | | | |
| Lens Color: | Opaque White | | | |
| Material: | ABS FR15U | | | |
| Mounting Method: | Direct Mount using 1/2" NPT Stainless Steel Pipe and Nut | | | |
| Weight Typical (g): | 270 | | | |
| NEMA 12: | Approved | | | |
| Options: | Please contact factory. | | | |

Dimensions: Inches (mm)**cUL Recognized****ROHS Compliant**

PATENT NUMBER D898600 10309594



LED OPERATION: CONNECT STACK COLOR WIRE TO POWER AND BROWN WIRE TO POWER.

SOUND OPERATION: CONNECT GRAY AND BLACK WIRES TO POWER FOR CONTINUOUS SOUND.
 FOR MEDIUM PULSE, CONNECT GRAY & BLACK TO POWER AND ORANGE WIRE TO GREEN/YELLOW WIRE.
 FOR DOUBLE PULSE, CONNECT GRAY & BLACK TO POWER AND PURPLE WIRE TO GREEN/YELLOW WIRE.
 FOR CONT/BEEP, CONNECT GRAY & BLACK TO POWER AND ORANGE & PURPLE TO GREEN/YELLOW WIRE.