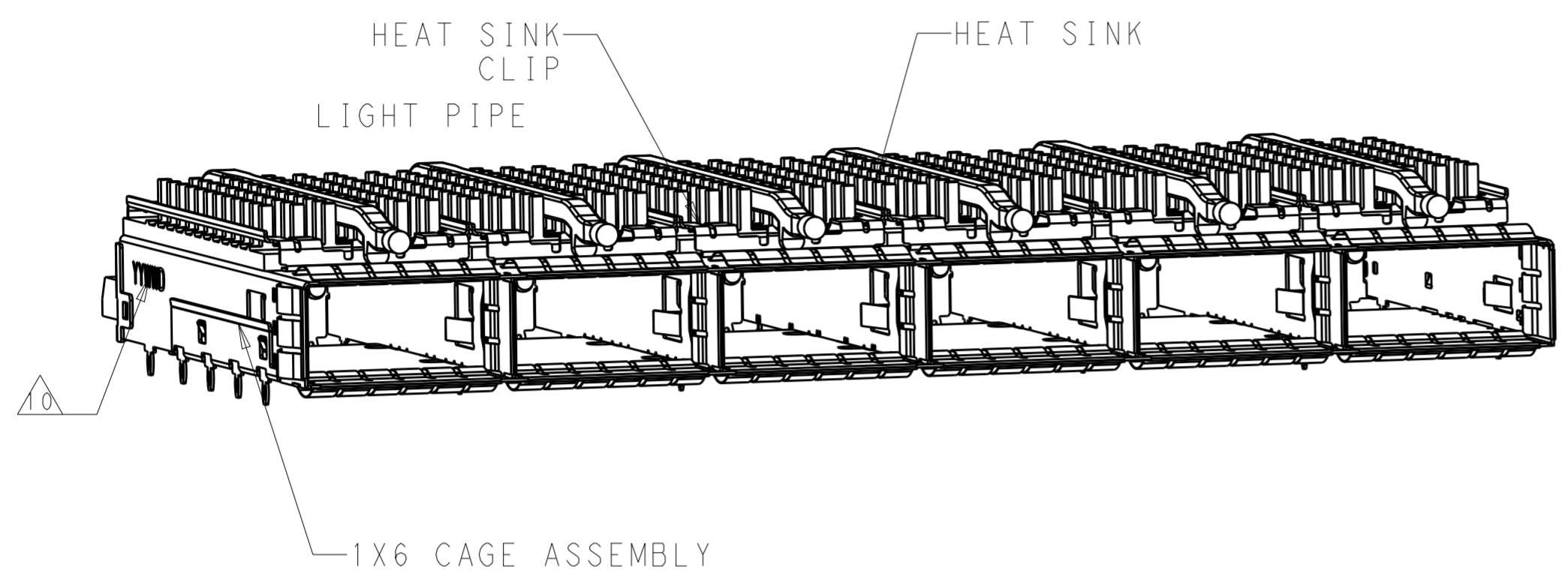
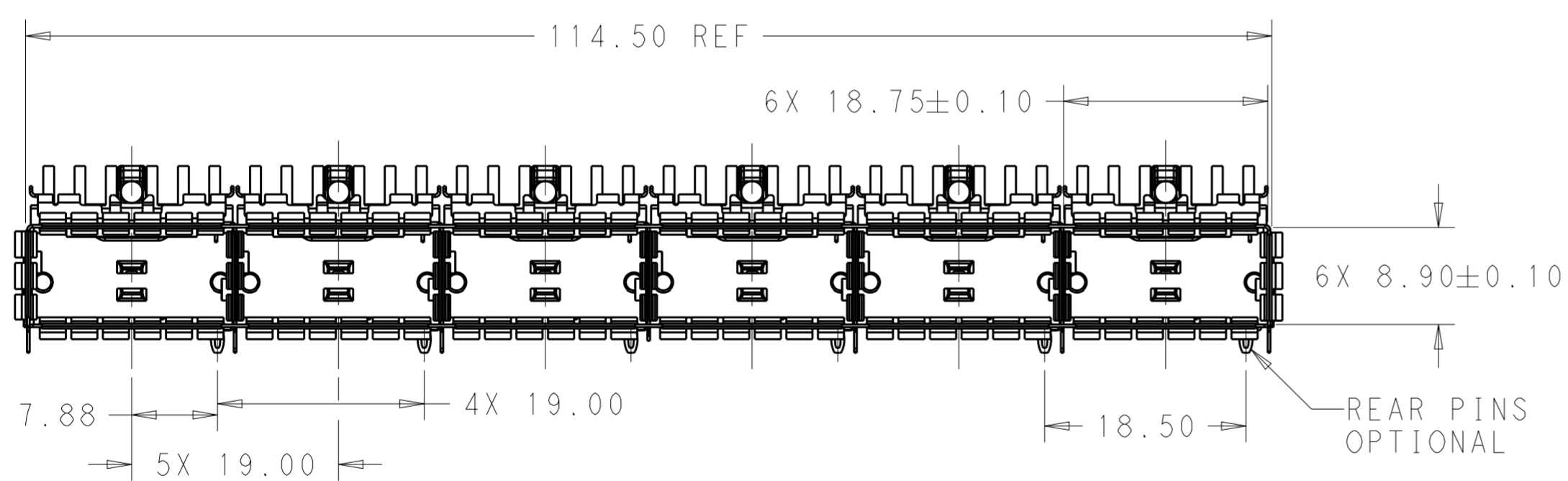


THIS DRAWING IS UNPUBLISHED. RELEASED FOR PUBLICATION 20
 © COPYRIGHT 20 BY - ALL RIGHTS RESERVED.

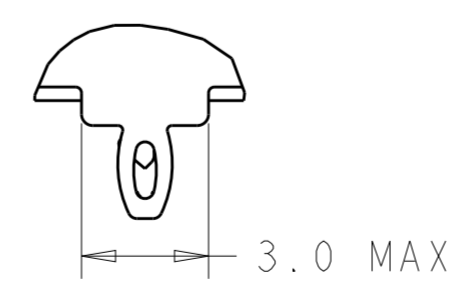
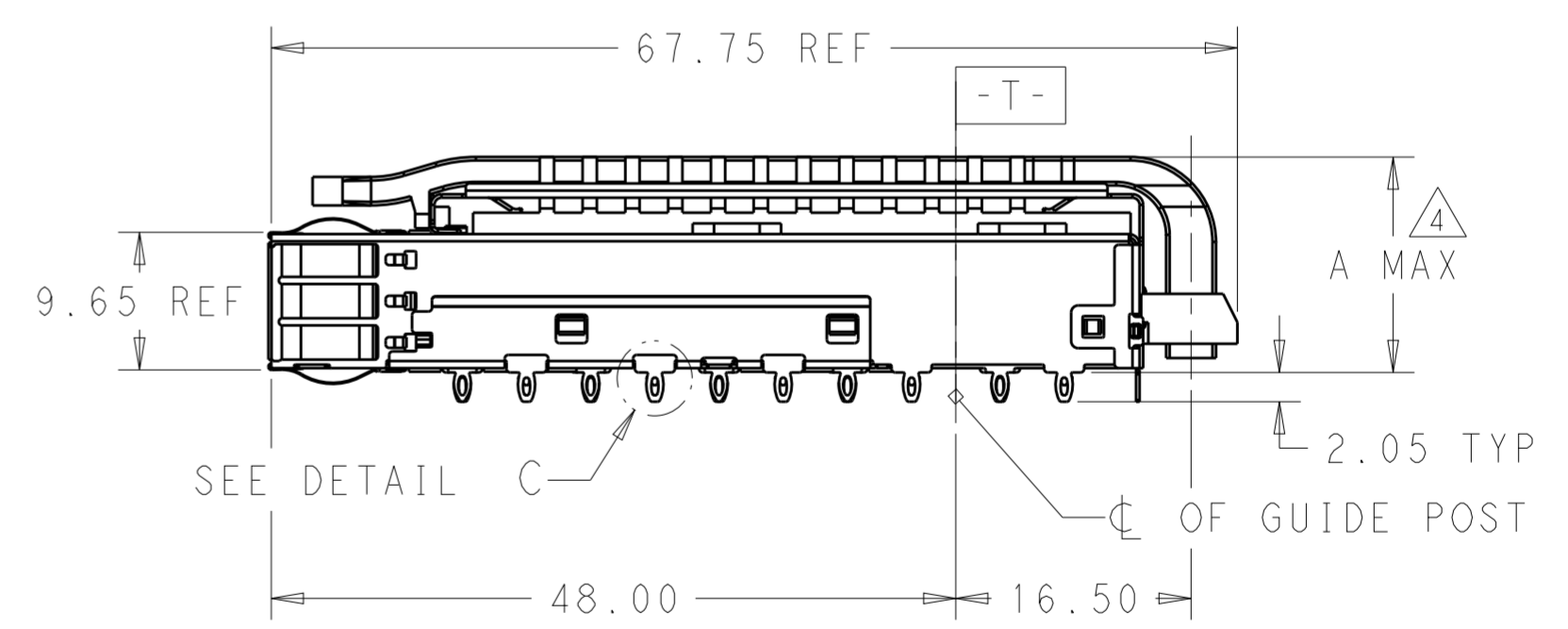
LOC	DIST	REVISIONS					
GP	00	P	LTR	DESCRIPTION	DATE	DWN	APVD
		A		RELEASE	02NOV2016	JY	SH
		B		REVISED PER ECO-20-012918	1AUG2020	JW	SH



1. COMPONENTS
 CAGE ASSEMBLY: NICKEL-SILVER ALLOY
 HEAT SINK: ALUMINUM/BLACK ANODIZE
 HEAT SINK CLIP: STAINLESS STEEL
 EMI SPRING: COPPER ALLOY/NICKEL PLATE
 LIGHT PIPE: CLEAR POLYCARBONATE WITH UL 94 V-0
 ORGANIZER: POLYESTER WITH UL 94 V-0
2. REFERENCE APPLICATION SPECIFICATION 114-32023 FOR RECOMMENDED DRILL HOLE DIAMETER AND PLATING THICKNESS
3. DATUM AND BASIC DIMENSION ESTABLISHED BY CUSTOMER
4. DIMENSION APPLIES WITH MODULE INSERTED IN CAGE
5. HEAT SINKS, HEAT SINK CLIPS AND LIGHT PIPES ARE SHIPPED ASSEMBLED ON CAGE
6. MINIMUM PC BOARD THICKNESS: SINGLE SIDED: 1.57 MIN
 DOUBLE SIDED: 2.20 MIN
7. DATUM -A- IS TOP SURFACE OF THE HOST BOARD.
8. THESE HOLES ARE OPTIONAL WHEN THE REAR PINS ARE REMOVED.
9. MATES WITH QSFP28 MSA COMPATIBLE TRANSCEIVER.
10. DATE CODE (YYWWD) MARKED APPROXIMATELY AS SHOWN.



SCALE 2:1



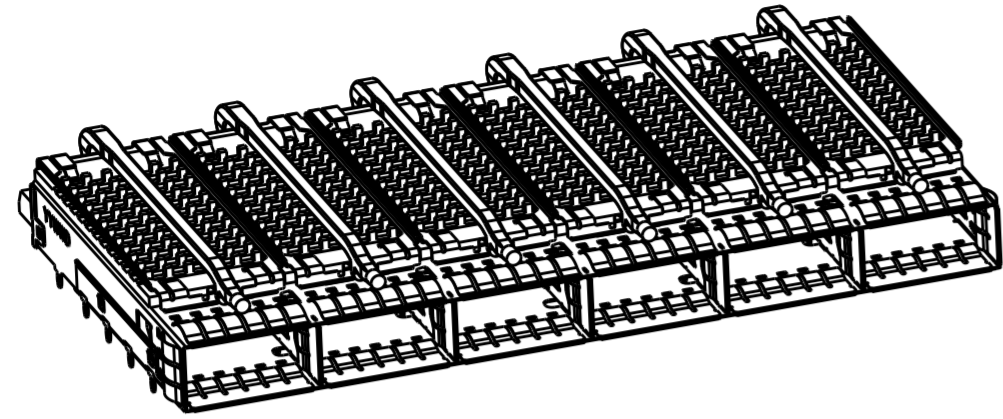
DETAIL C
 SCALE 6:1

THIS DRAWING IS A CONTROLLED DOCUMENT.		DWN 24OCT2013 JASON YANG	STE TE Connectivity	
		CHK 02NOV2016 SEAN HAN		
DIMENSIONS:	TOLERANCES UNLESS OTHERWISE SPECIFIED:	APVD -	NAME	
mm	0 PLC ± 1 PLC ±0.25 2 PLC ±0.2 3 PLC ± 4 PLC ± ANGLES ± FINISH ±	PRODUCT SPEC 108-19428	CAGE ASSEMBLY, 1X6, QSFP28 WITH HEAT SINKS AND LIGHT PIPES, THRU BEZEL, EMI SPRING	
MATERIAL	SEE NOTES	APPLICATION SPEC 114-32023	SIZE	CAGE CODE
		WEIGHT	A200779	DRAWING NO
		CUSTOMER DRAWING	C-2170708	RESTRICTED TO
			SCALE 1:1	SHEET 1 OF 9
				REV B

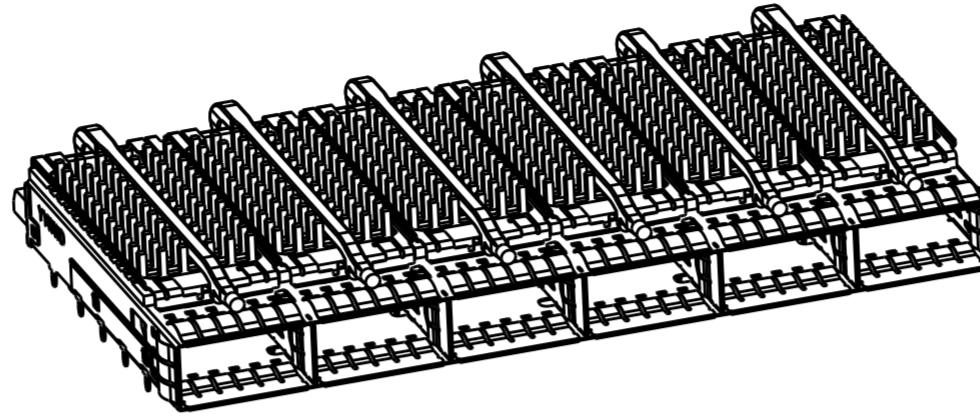
THIS DRAWING IS UNPUBLISHED. RELEASED FOR PUBLICATION 20
 © COPYRIGHT 20 BY - ALL RIGHTS RESERVED.

LOC	DIST	REVISIONS			
P	LTR	DESCRIPTION	DATE	DWN	APVD
-	-	SEE SHEET 1	-	-	-

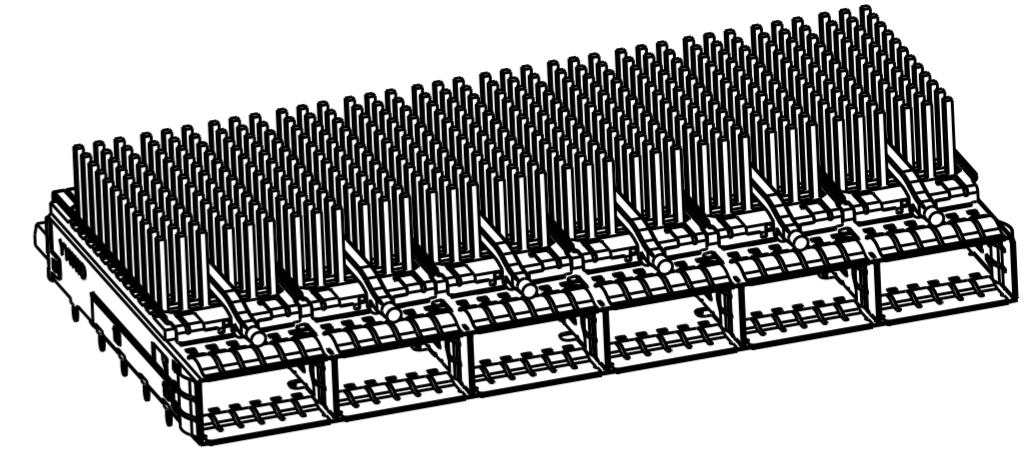
HEAT SINK OPTION



PCI HEAT SINK
SCALE 1:1

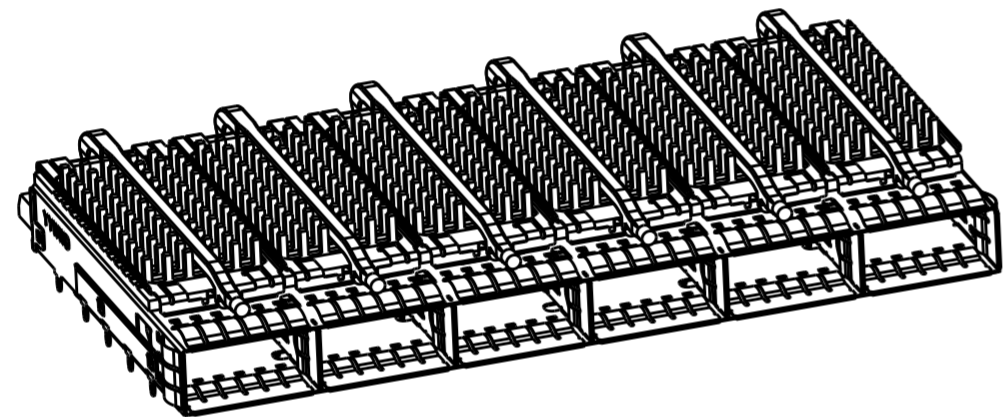


SAN HEAT SINK
SCALE 1:1

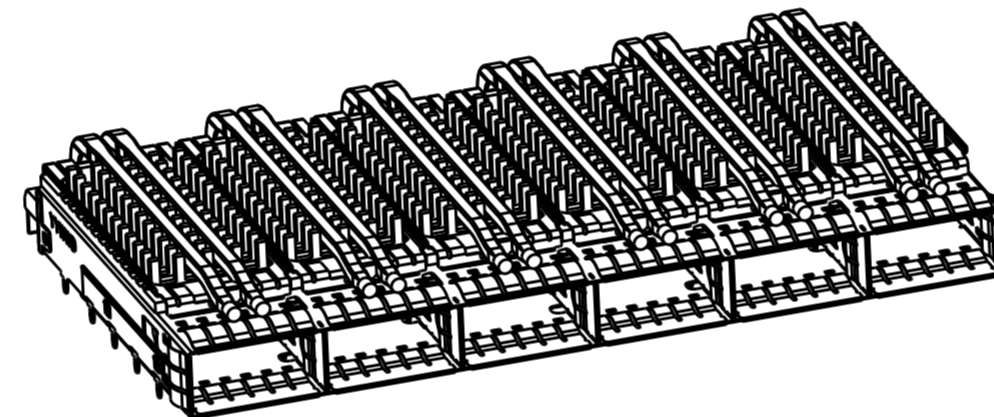


NETWORKING
SCALE 1:1

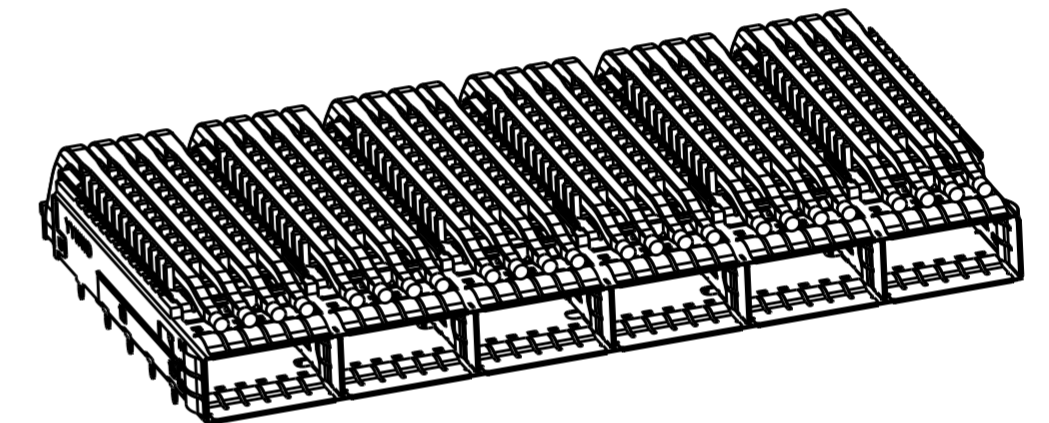
LIGHT PIPE OPTION



SINGLE LIGHT PIPE
SCALE 1:1

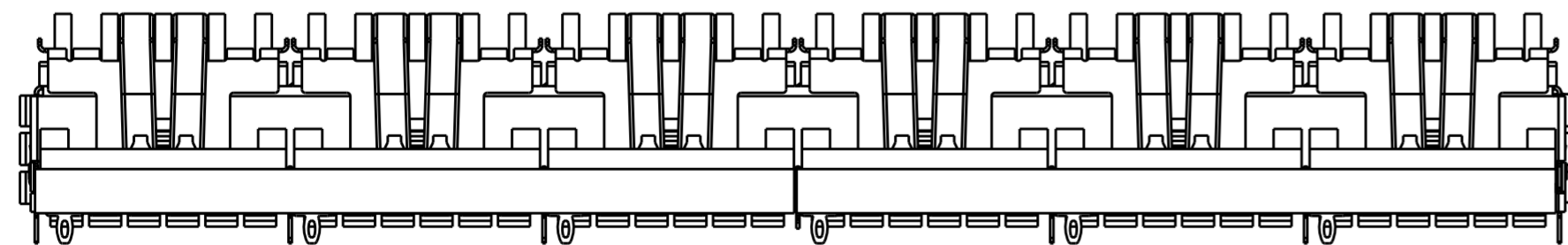


DUAL LIGHT PIPE
SCALE 1:1

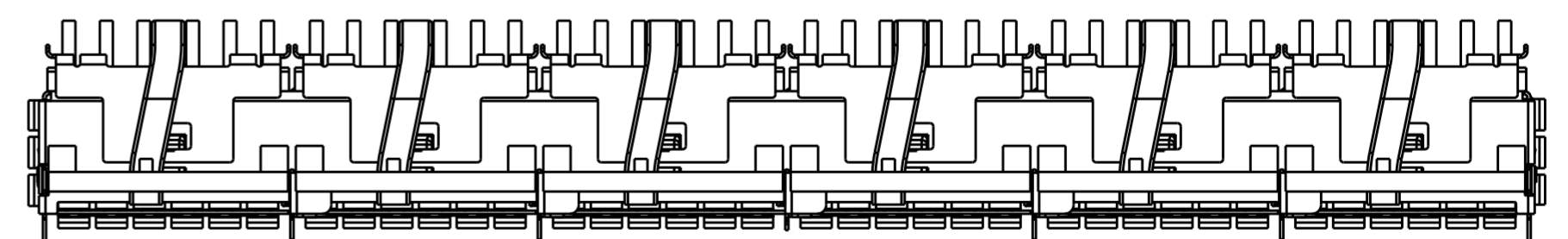


QUAD LIGHT PIPE
SCALE 1:1

OF REAR LEGS OPTIONS



1 REAR LEGS
SCALE 2:1



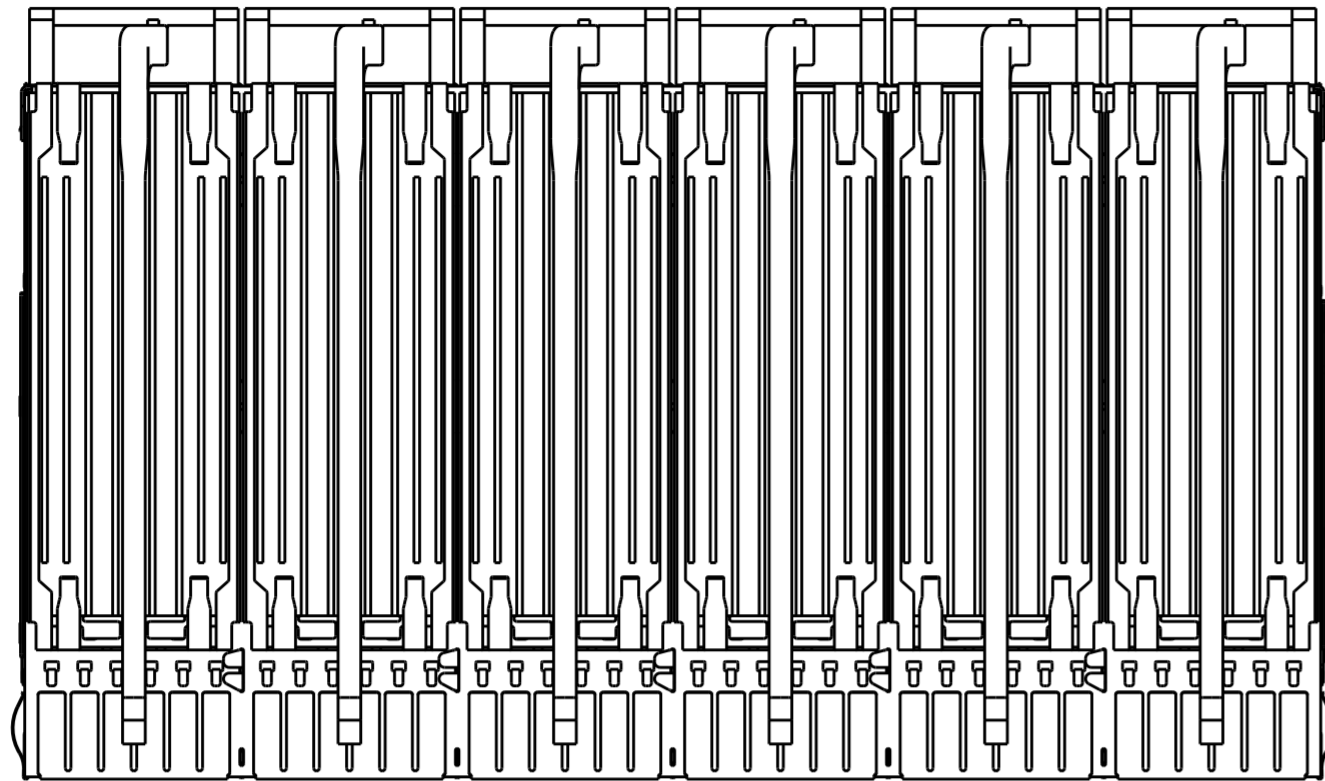
0 REAR LEGS
SCALE 2:1

THIS DRAWING IS A CONTROLLED DOCUMENT.		DWN JASON YANG 24OCT2013	TE Connectivity	
		CHK SEAN HAN 02NOV2016		
DIMENSIONS: mm		TOLERANCES UNLESS OTHERWISE SPECIFIED:		NAME CAGE ASSEMBLY, 1X6, QSFP28 WITH HEAT SINKS AND LIGHT PIPES, THRU BEZEL, EMI SPRING
		0 PLC ±	PRODUCT SPEC 108-19428	SIZE A200779
MATERIAL SEE NOTES material_2		1 PLC ±0.25	APPLICATION SPEC 114-32023	CAGE CODE C-2170708
		2 PLC ±0.2	WEIGHT -	DRAWING NO -
		3 PLC ±	RESTRICTED TO -	
		4 PLC ±	SCALE 3:1 SHEET 2 OF 9 REV B	
		ANGLES ±	CUSTOMER DRAWING	
		FINISH SEE NOTES finish_spec_2		

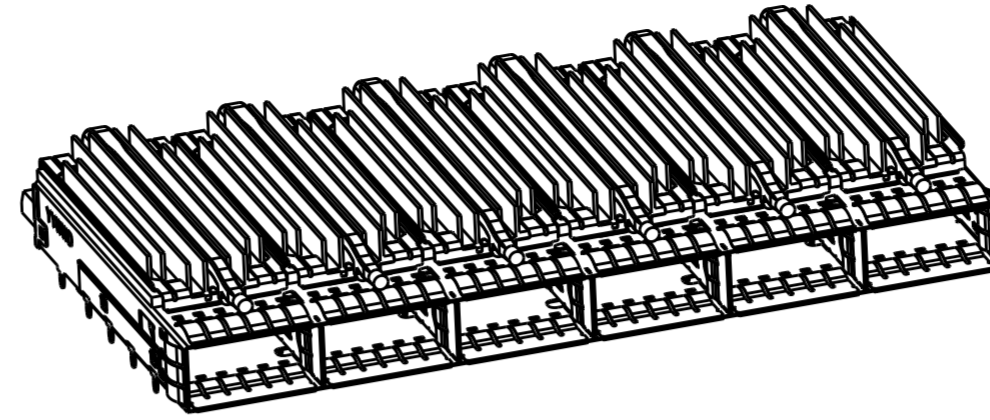
THIS DRAWING IS UNPUBLISHED. RELEASED FOR PUBLICATION 20
 © COPYRIGHT 20 BY - ALL RIGHTS RESERVED.

LOC	DIST	REVISIONS			
P	LTR	DESCRIPTION	DATE	DWN	APVD
-	-	SEE SHEET 1	-	-	-

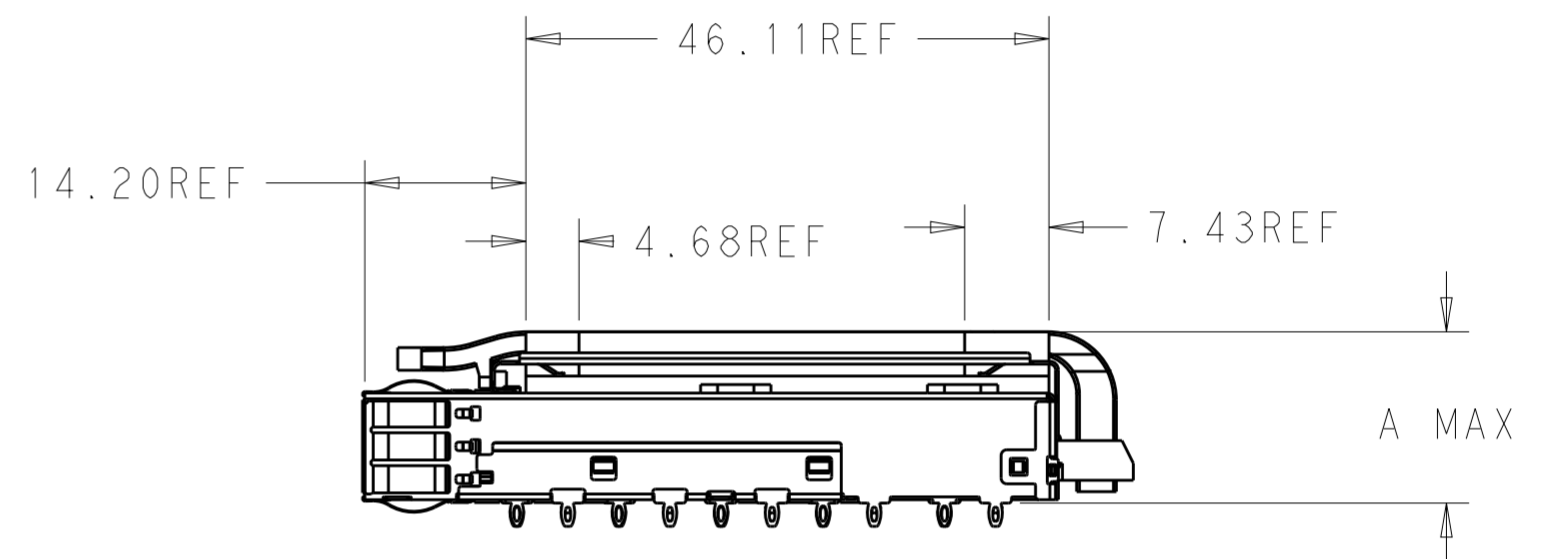
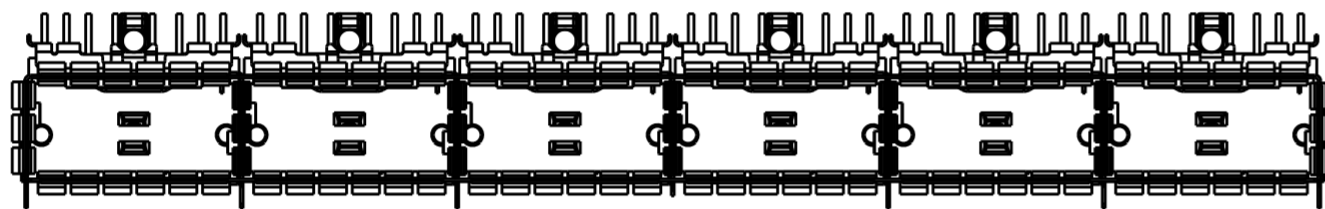
5-2170708-5 UNMARKED DIMENSIONS SAME AS 2170708-1




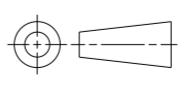
SCALE 3:2



5-2170708-5
SCALE 1:1

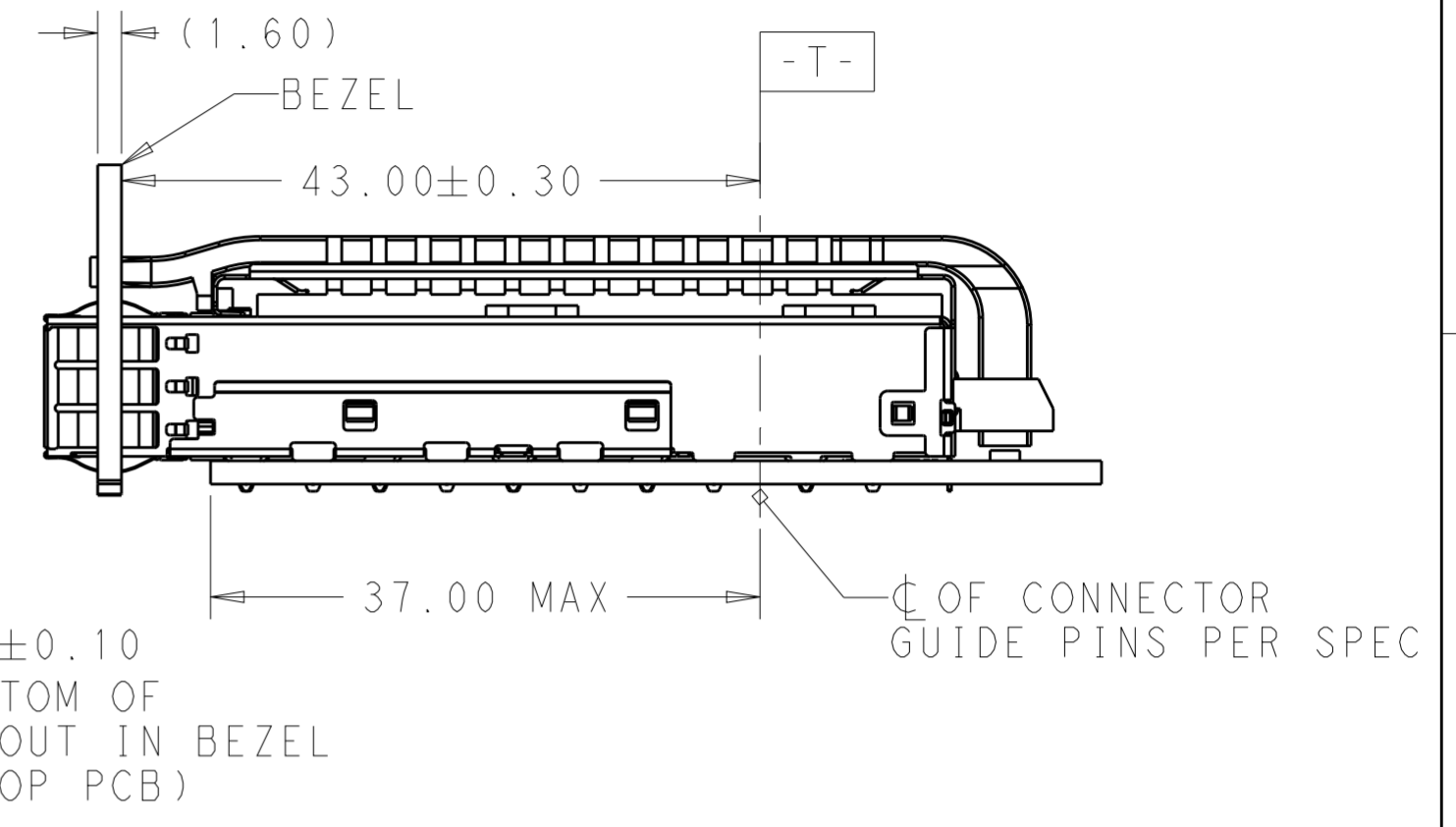
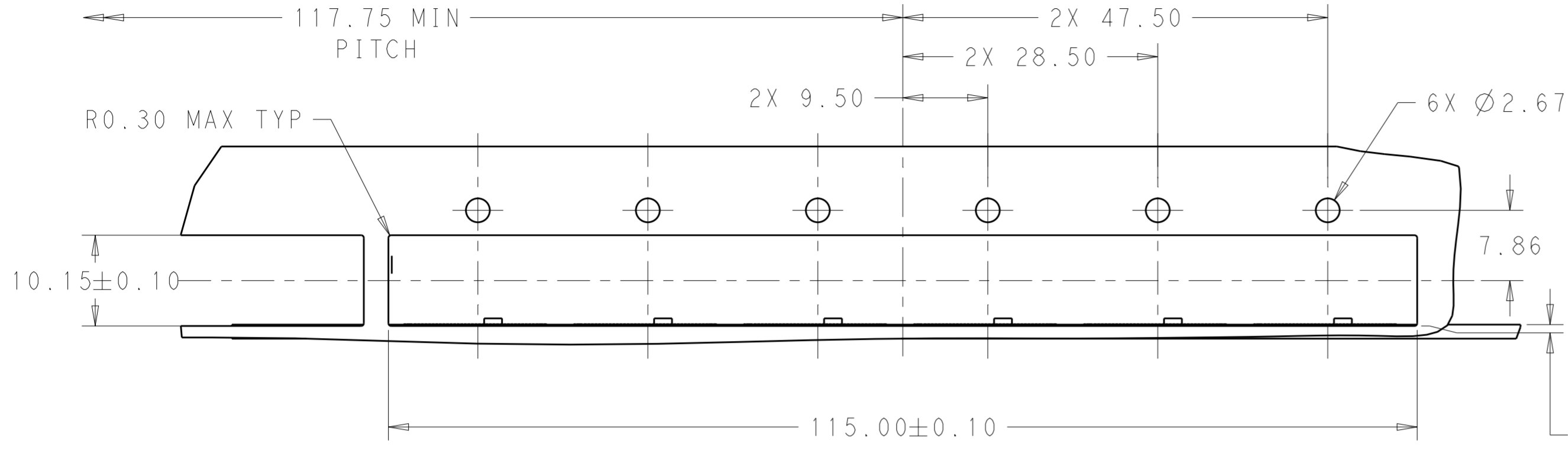


0	16	FIN TYPE , SAN	SINGLE	5-2170708-5
1	14.9	CUSTOMER SPECIFIC	QUAD	4-2170708-7
0	23.0	NETWORKING	QUAD	4-2170708-6
0	16.0	SAN	QUAD	4-2170708-5
0	13.7	PCI	QUAD	4-2170708-4
1	23.0	NETWORKING	QUAD	4-2170708-3
1	16.0	SAN	QUAD	4-2170708-2
1	13.7	PCI	QUAD	4-2170708-1
0	16.5	CUSTOMIZED	DUAL	2-2170708-7
0	23.0	NETWORKING	DUAL	2-2170708-6
0	16.0	SAN	DUAL	2-2170708-5
0	13.7	PCI	DUAL	2-2170708-4
1	23.0	NETWORKING	DUAL	2-2170708-3
1	16.0	SAN	DUAL	2-2170708-2
1	13.7	PCI	DUAL	2-2170708-1
1	14.9	CUSTOMER SPECIFIC	SINGLE	1-2170708-1
0	23.0	NETWORKING	SINGLE	2170708-6
0	16.0	SAN	SINGLE	2170708-5
0	13.7	PCI	SINGLE	2170708-4
1	23.0	NETWORKING	SINGLE	2170708-3
1	16.0	SAN	SINGLE	2170708-2
1	13.7	PCI	SINGLE	2170708-1
# OF REAR PIN	DIM A	APPLICATION	LIGHT PIPE OPTION	PART NUMBER

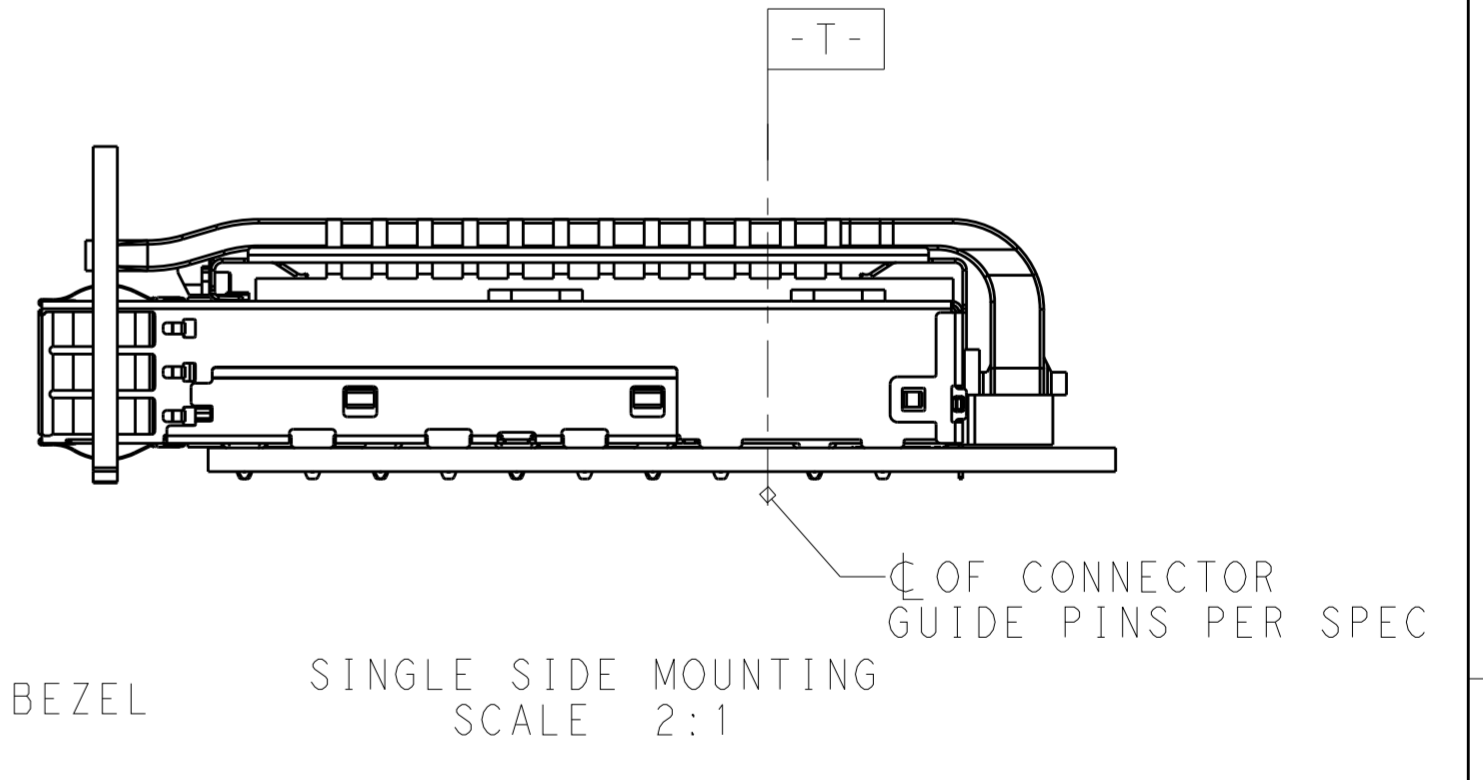
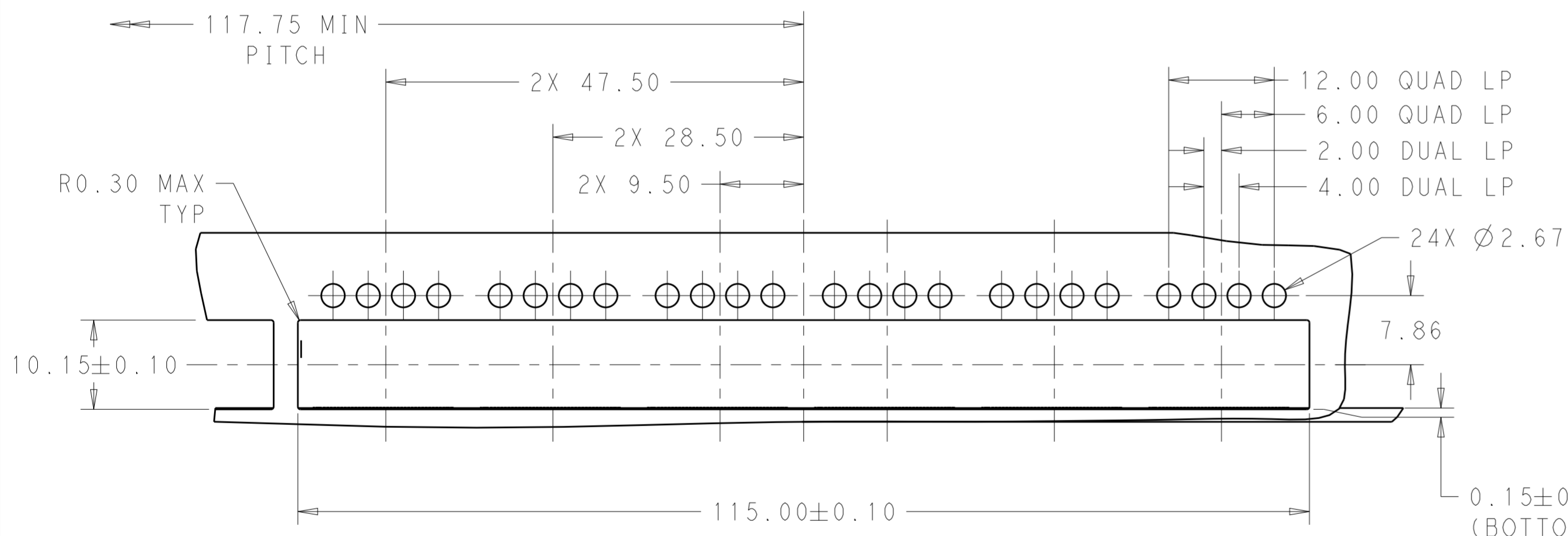
THIS DRAWING IS A CONTROLLED DOCUMENT.		DWN 24OCT2013 JASON YANG	 TE Connectivity
		CHK 02NOV2016 SEAN HAN	
DIMENSIONS: mm	TOLERANCES UNLESS OTHERWISE SPECIFIED: 0 PLC ± 1 PLC ±0.25 2 PLC ±0.2 3 PLC ± 4 PLC ± ANGLES ±	APVD -	NAME CAGE ASSEMBLY, 1X6, QSFP28 WITH HEAT SINKS AND LIGHT PIPES, THRU BEZEL, EMI SPRING
	MATERIAL SEE NOTES material_2	PRODUCT SPEC 108-19428	SIZE A200779
	FINISH SEE NOTES finish_spec_2	APPLICATION SPEC 114-32023	DRAWING NO C-2170708
CUSTOMER DRAWING		WEIGHT -	RESTRICTED TO -
SCALE 3:1		SHEET 3 OF 9	REV B

THIS DRAWING IS UNPUBLISHED. RELEASED FOR PUBLICATION 20
 © COPYRIGHT 20 BY - ALL RIGHTS RESERVED.

LOC		DIST		REVISIONS			
P	LTR	DESCRIPTION		DATE	DWN	APVD	
-	-	SEE SHEET 1		-	-	-	



SINGLE SIDE MOUNTING
SCALE 2:1

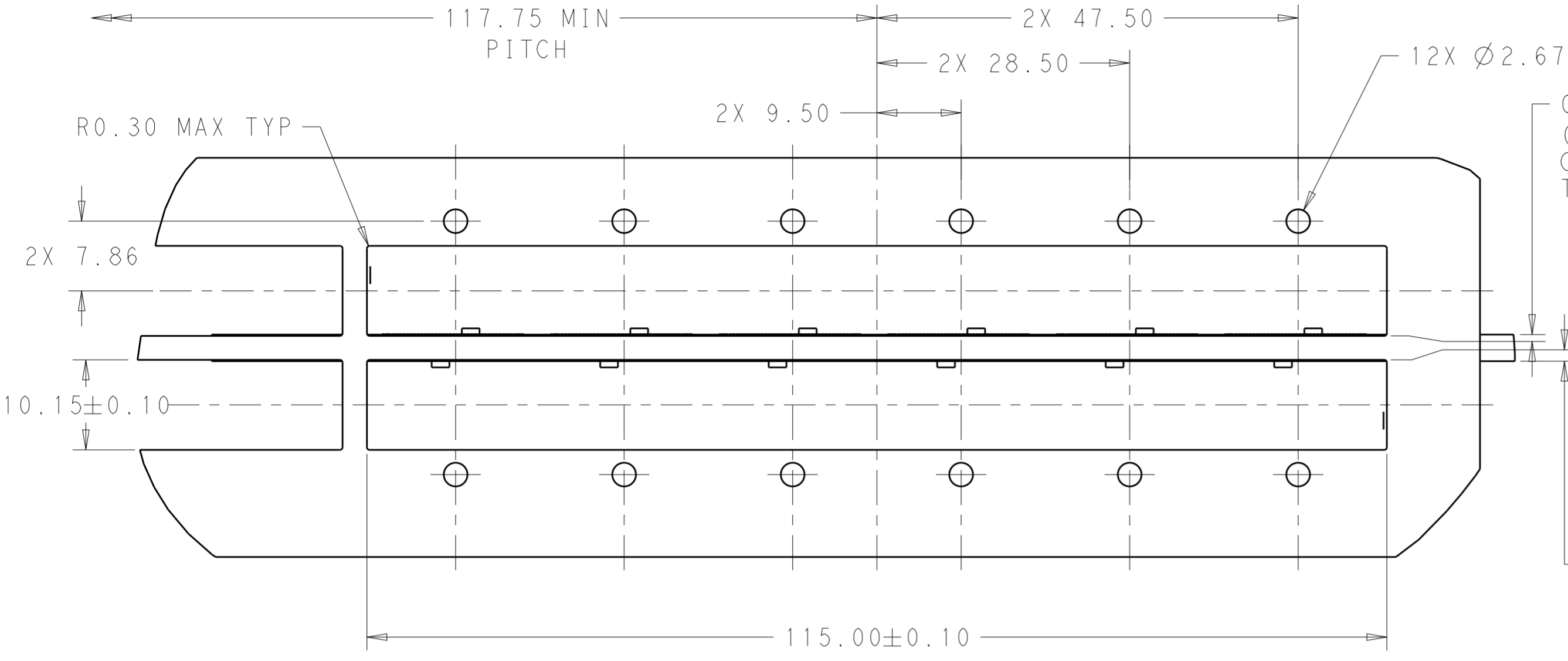


SINGLE SIDE MOUNTING
SCALE 2:1

THIS DRAWING IS A CONTROLLED DOCUMENT.		DWN 24OCT2013 JASON YANG	STE TE Connectivity	
		CHK 02NOV2016 SEAN HAN		
DIMENSIONS: mm	TOLERANCES UNLESS OTHERWISE SPECIFIED:	APVD -	NAME CAGE ASSEMBLY, 1X6, QSFP28 WITH HEAT SINKS AND LIGHT PIPES, THRU BEZEL, EMI SPRING	
	0 PLC ± 1 PLC ±0.25 2 PLC ±0.2 3 PLC ± 4 PLC ± ANGLES ± FINISH	PRODUCT SPEC 108-19428	SIZE A200779	DRAWING NO C-2170708
MATERIAL SEE NOTES material_2	SEE NOTES finish_spec_2	APPLICATION SPEC 114-32023	RESTRICTED TO -	SCALE 3:1 SHEET 4 OF 9 REV B
		WEIGHT -	CUSTOMER DRAWING	

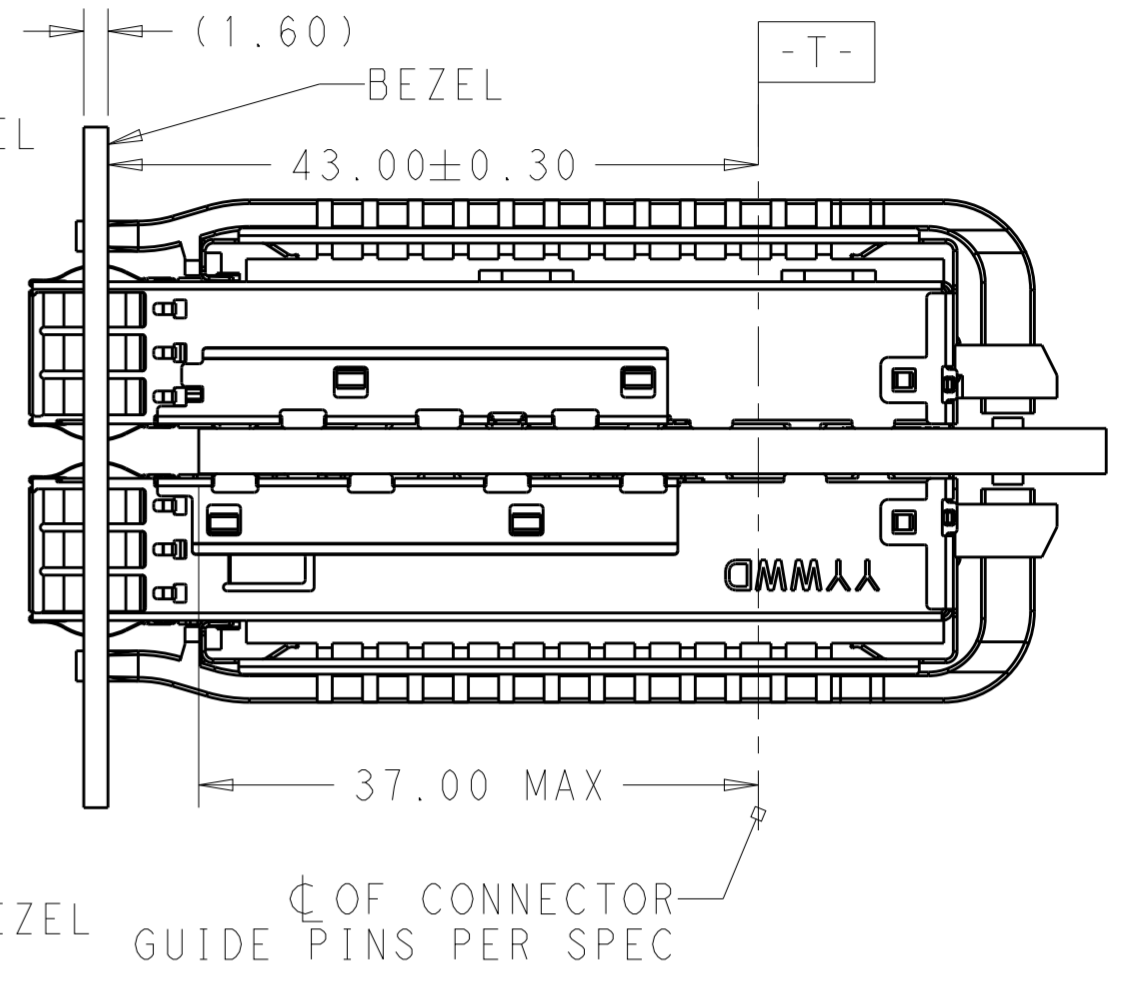
THIS DRAWING IS UNPUBLISHED. RELEASED FOR PUBLICATION 20
 © COPYRIGHT 20 BY - ALL RIGHTS RESERVED.

LOC		DIST		REVISIONS			
P	LTR	DESCRIPTION	DATE	DWN	APVD		
-	-	SEE SHEET 1	-	-	-		

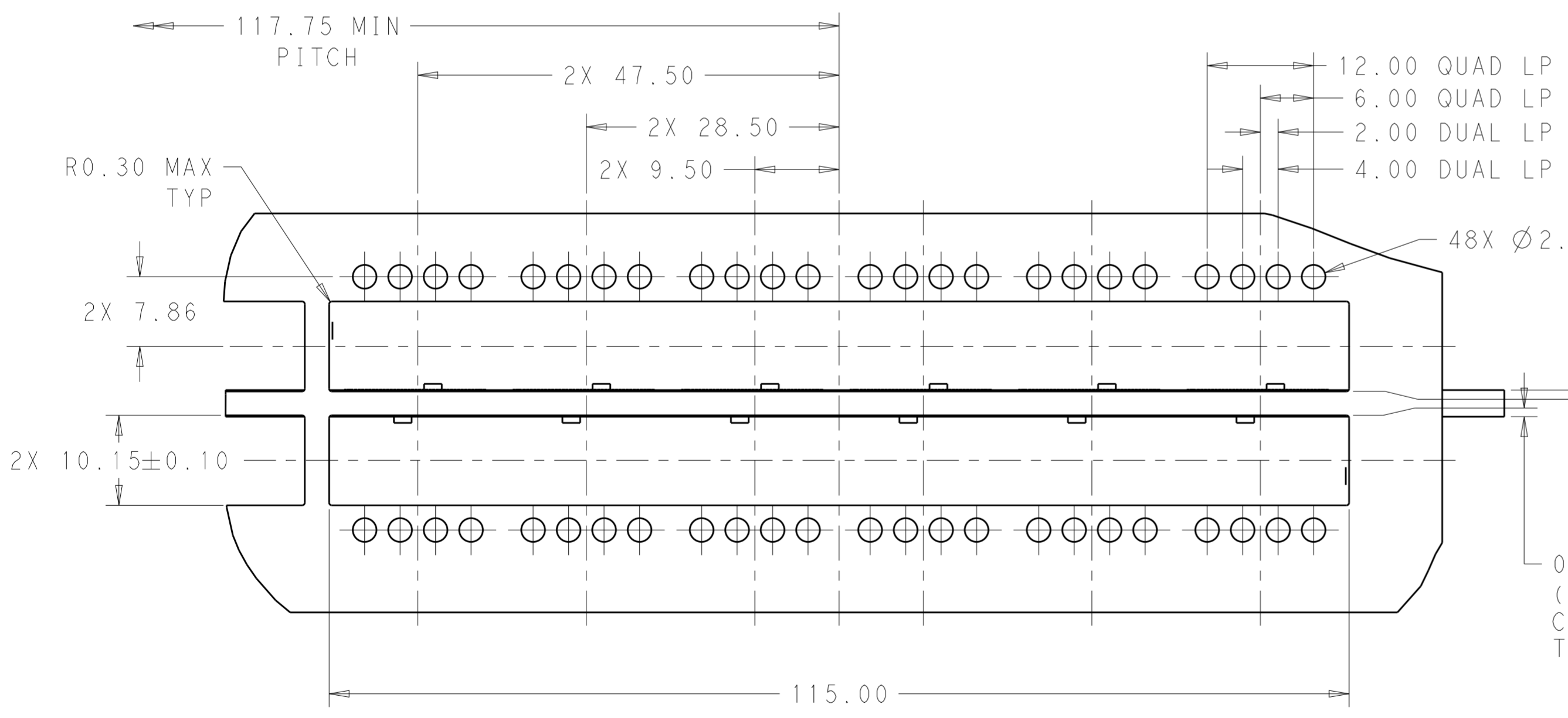


0.15±0.10
(BOTTOM OF CUT-OUT IN BEZEL TO TOP PCB)

0.15±0.10
(BOTTOM OF CUT-OUT IN BEZEL TO TOP PCB)

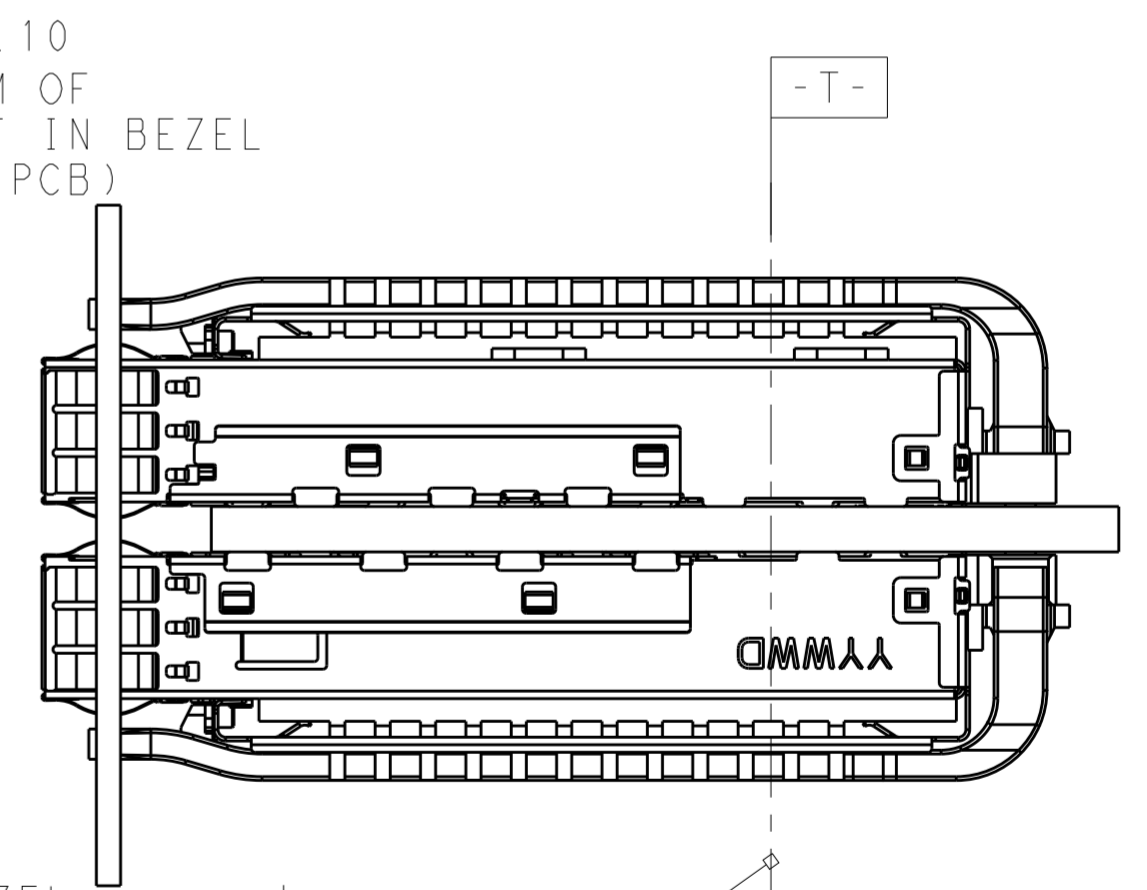


BELLY TO BELLY MOUNTING SCALE 2:1



0.15±0.10
(BOTTOM OF CUT-OUT IN BEZEL TO TOP PCB)

0.15±0.10
(BOTTOM OF CUT-OUT IN BEZEL TO TOP PCB)

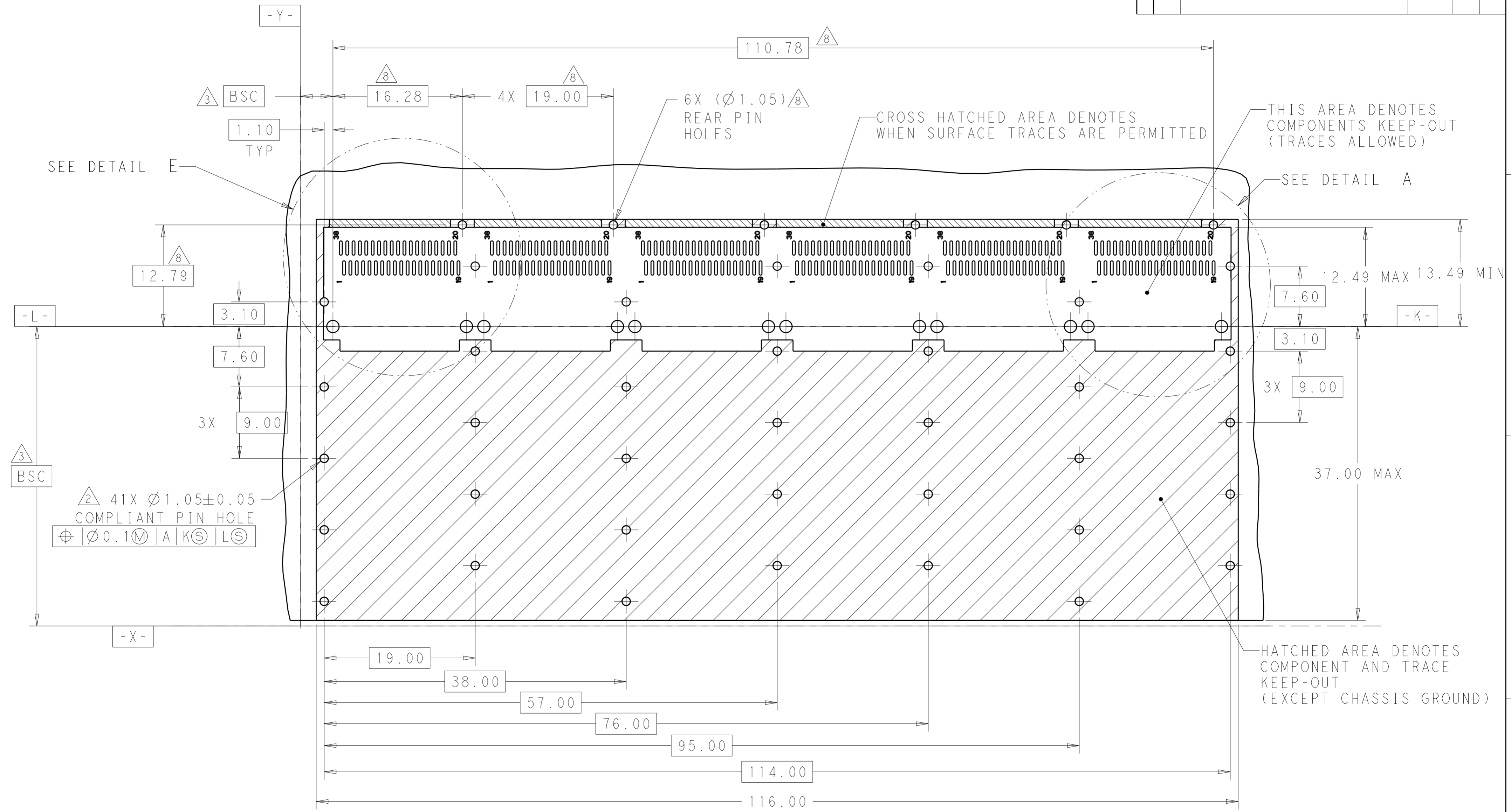


BELLY TO BELLY MOUNTING SCALE 2:1

THIS DRAWING IS A CONTROLLED DOCUMENT.		DWN 24OCT2013 JASON YANG	STE TE Connectivity	
		CHK 02NOV2016 SEAN HAN		
DIMENSIONS:	TOLERANCES UNLESS OTHERWISE SPECIFIED:	APVD -	NAME	
mm	0 PLC ± 1 PLC ±0.25 2 PLC ±0.2 3 PLC ± 4 PLC ±	PRODUCT SPEC	CAGE ASSEMBLY, 1X6, QSFP28 WITH HEAT SINKS AND LIGHT PIPES, THRU BEZEL, EMI SPRING	
	ANGLES ±	APPLICATION SPEC	SIZE	CAGE CODE
MATERIAL	FINISH	114-32023	A200779	DRAWING NO
SEE NOTES material_2	SEE NOTES finish_spec_2	WEIGHT -	C-2170708	RESTRICTED TO
		CUSTOMER DRAWING	SCALE 3:1	SHEET 5 OF 9
				REV B

THIS DRAWING IS UNPUBLISHED. RELEASED FOR PUBLICATION 20
 © COPYRIGHT 20 BY - ALL RIGHTS RESERVED.

LOC	DIST	REVISIONS			
P	LTR	DESCRIPTION	DATE	DWN	APVD
-	-	SEE SHEET 1	-	-	-

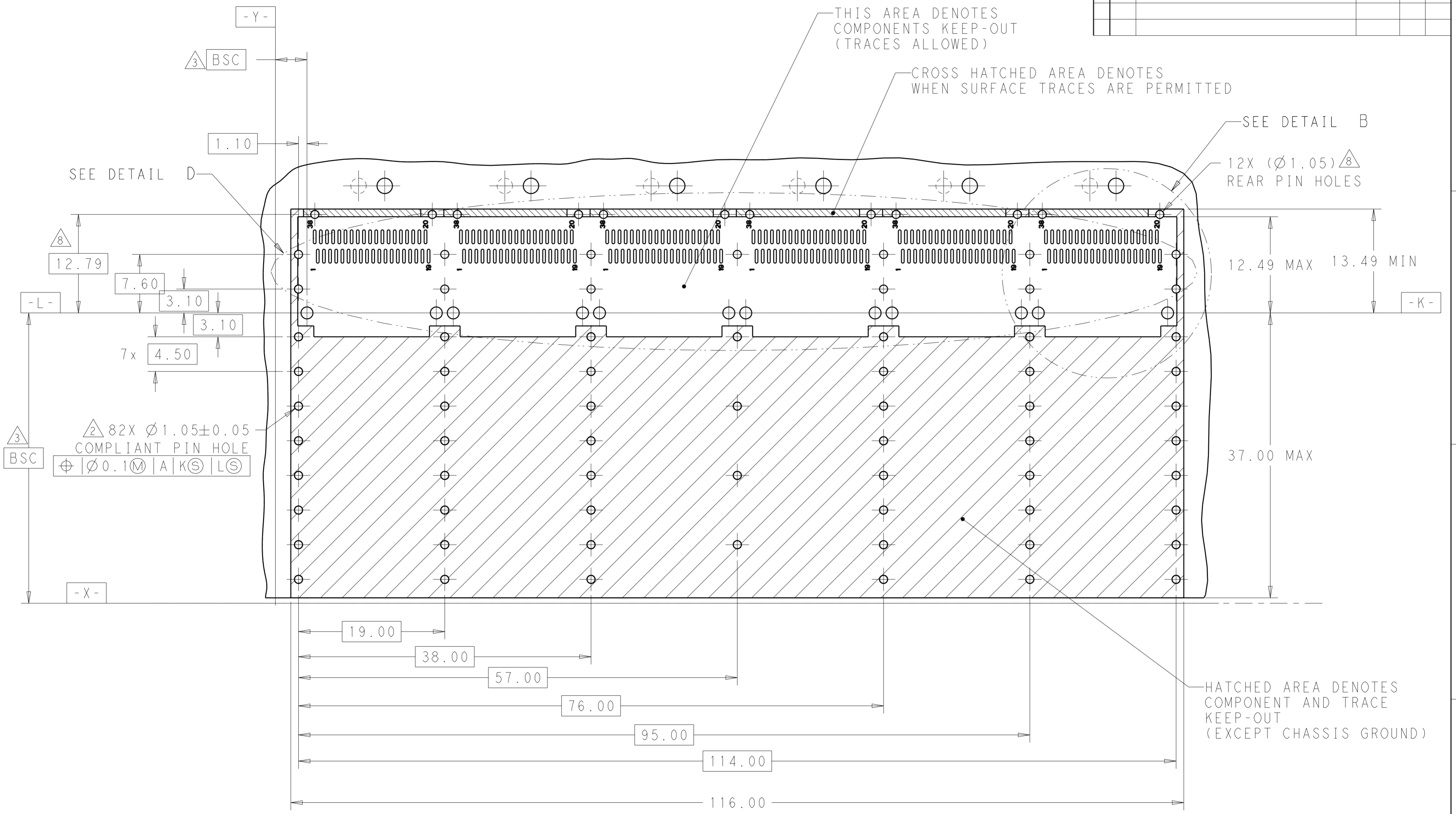


RECOMMENDED PCB LAYOUT
 SINGLE TYPE
 PCB TOLERANCE: ±0.05
 SCALE 3:1

THIS DRAWING IS A CONTROLLED DOCUMENT.		DWN 24OCT2013 JASON YANG	TE Connectivity	
		CHK 02NOV2016 SEAN HAN		
DIMENSIONS: mm		APVD -	NAME CAGE ASSEMBLY, 1X6, QSFP28 WITH HEAT SINKS AND LIGHT PIPES, THRU BEZEL, EMI SPRING	
TOLERANCES UNLESS OTHERWISE SPECIFIED:		PRODUCT SPEC 108-19428	SIZE CAGE CODE DRAWING NO RESTRICTED TO	
0 PLC ±		APPLICATION SPEC 114-32023	A200779C-2170708	
1 PLC ±0.25		WEIGHT -	SCALE 3:1 SHEET 6 OF 9 REV B	
2 PLC ±0.2		CUSTOMER DRAWING		
3 PLC ±				
4 PLC ±				
ANGLES ±				
FINISH SEE NOTES				
MATERIAL SEE NOTES material_2				
finish_spec_2				

THIS DRAWING IS UNPUBLISHED. RELEASED FOR PUBLICATION 20
 © COPYRIGHT 20 BY - ALL RIGHTS RESERVED.

LOC	DIST	REVISIONS			
P	LTR	DESCRIPTION	DATE	DWN	APVD
-	-	SEE SHEET 1	-	-	-

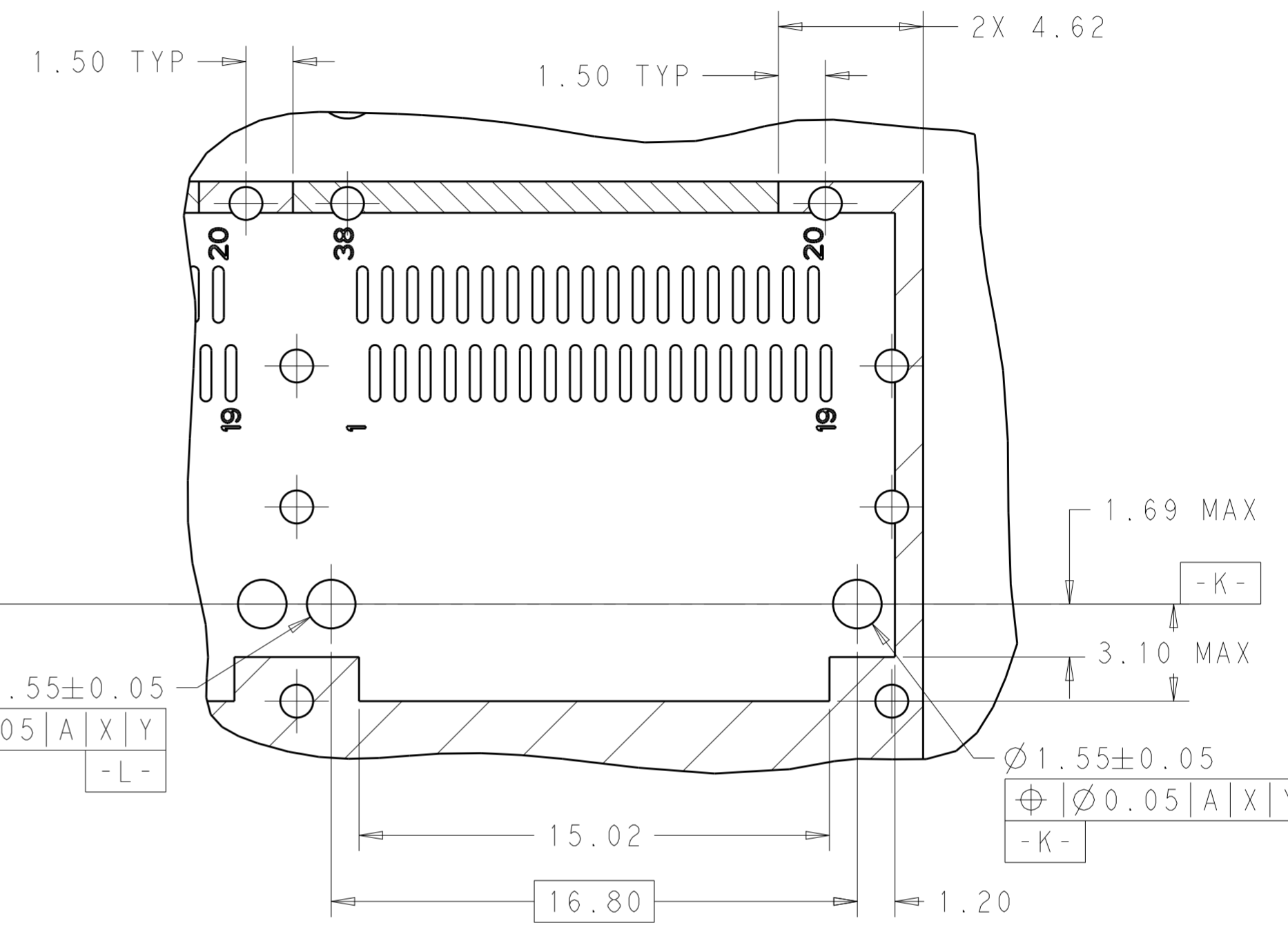


RECOMMENDED PCB LAYOUT
 BELLY TO BELLY TYPE
 PCB TOLERANCE: ±0.05
 SCALE 3:1

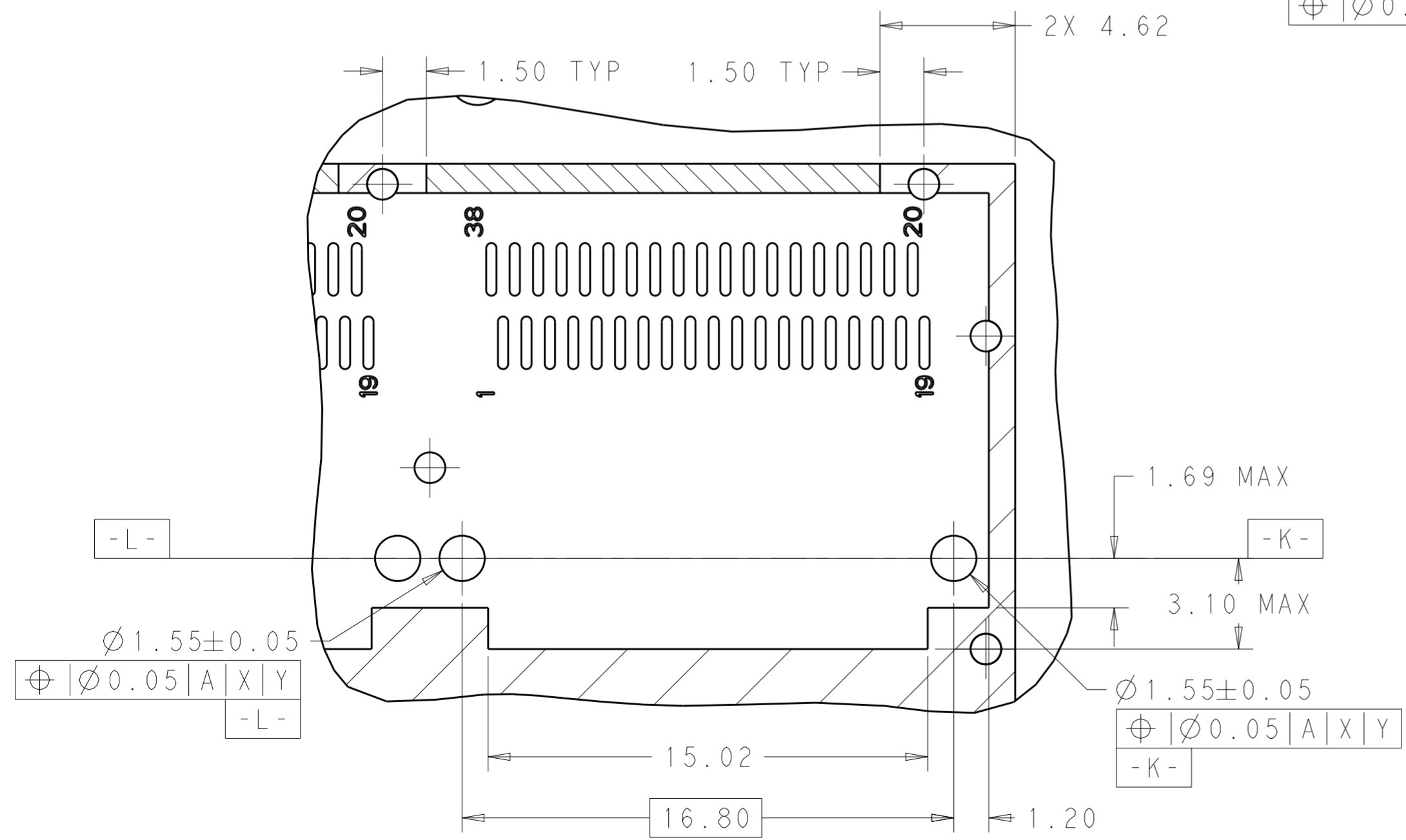
THIS DRAWING IS A CONTROLLED DOCUMENT.		DWN 24OCT2013 JASON YANG	STE TE Connectivity	
		CHK 02NOV2016 SEAN HAN		
DIMENSIONS: mm		TOLERANCES UNLESS OTHERWISE SPECIFIED:		NAME CAGE ASSEMBLY, 1X6, QSP28 WITH HEAT SINKS AND LIGHT PIPES, THRU BEZEL, EMI SPRING
0 PLC ± 1 PLC ±0.25 2 PLC ±0.2 3 PLC ± 4 PLC ± ANGLES ±		FINISH SEE NOTES		SIZE A2
MATERIAL SEE NOTES material_2		FINISH SEE NOTES finish_spec_2		CAGE CODE 00779
		PRODUCT SPEC 108-19428		DRAWING NO C-2170708
		APPLICATION SPEC 114-32023		RESTRICTED TO -
		WEIGHT -		SCALE 3:1
		CUSTOMER DRAWING		SHEET 7 OF 9
				REV B

THIS DRAWING IS UNPUBLISHED. RELEASED FOR PUBLICATION 20
 © COPYRIGHT 20 BY - ALL RIGHTS RESERVED.

LOC	DIST	REVISIONS			
P	LTR	DESCRIPTION	DATE	DWN	APVD
-	-	SEE SHEET 1	-	-	-



DETAIL B
SCALE 6:1

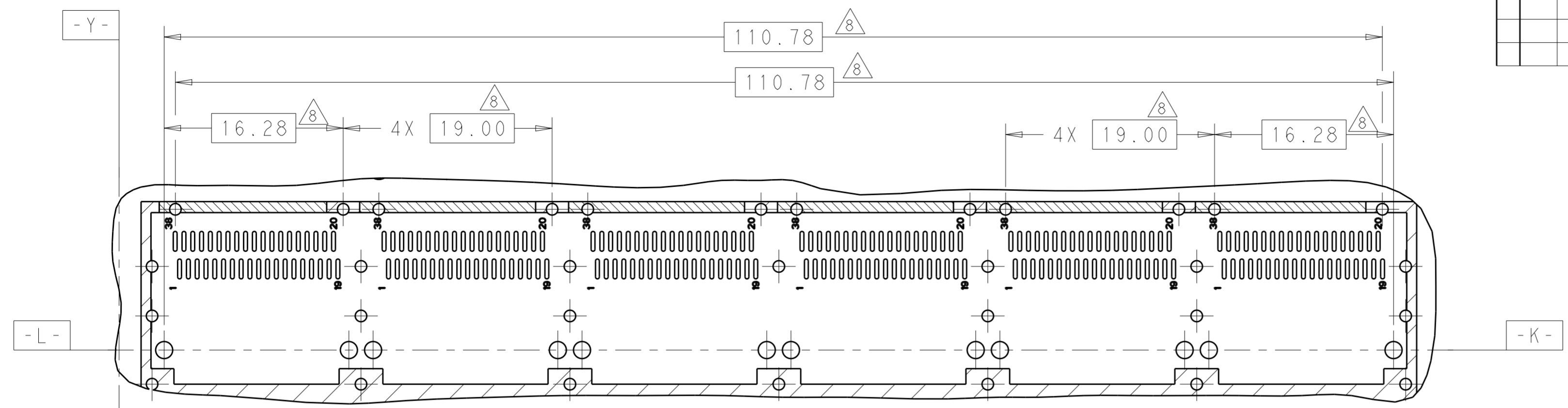


DETAIL A
SCALE 6:1

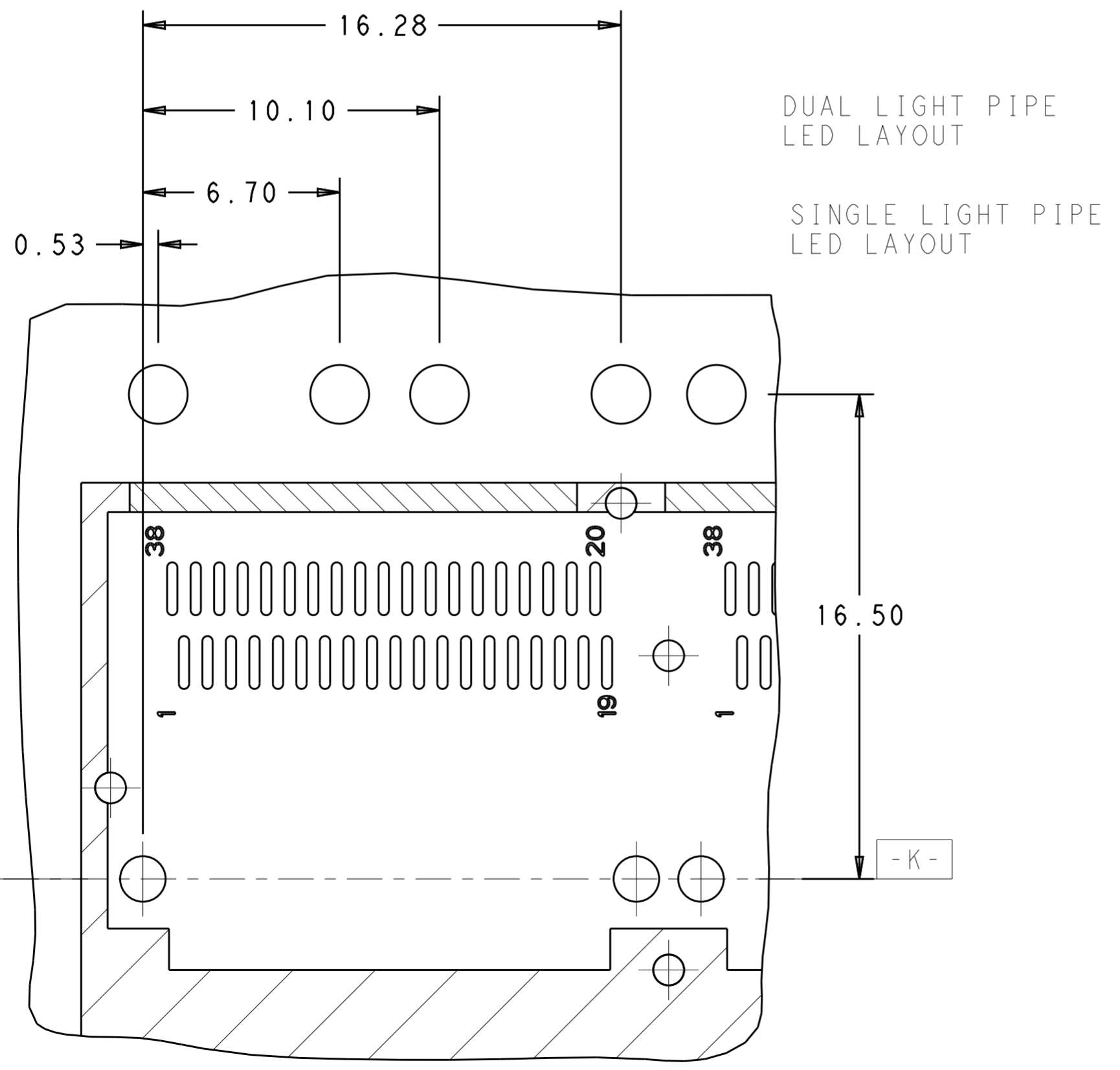
THIS DRAWING IS A CONTROLLED DOCUMENT.		DWN 24OCT2013 JASON YANG	TE Connectivity	
		CHK 02NOV2016 SEAN HAN		
DIMENSIONS:	TOLERANCES UNLESS OTHERWISE SPECIFIED:	APVD -	NAME	
mm	0 PLC ± 1 PLC ±0.25 2 PLC ±0.2 3 PLC ± 4 PLC ±	PRODUCT SPEC	CAGE ASSEMBLY, 1X6, QSFP28	
	ANGLES ±	APPLICATION SPEC	WITH HEAT SINKS AND LIGHT PIPES,	
MATERIAL	FINISH	114-32023	SIZE	CAGE CODE
SEE NOTES	SEE NOTES	WEIGHT -	A200779	DRAWING NO
material_2	finish_spec_2	CUSTOMER DRAWING	C-2170708	RESTRICTED TO
		SCALE 3:1	SHEET 8 OF 9	REV B

THIS DRAWING IS UNPUBLISHED. RELEASED FOR PUBLICATION 20
 © COPYRIGHT 20 BY - ALL RIGHTS RESERVED.

LOC	DIST	REVISIONS			
P	LTR	DESCRIPTION	DATE	DWN	APVD
-	-	SEE SHEET 1	-	-	-


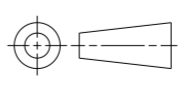


DETAIL D
SCALE 3:1



DETAIL E
SCALE 6:1

QUAD LIGHT PIPE
LED LAYOUT

THIS DRAWING IS A CONTROLLED DOCUMENT.		DWN 24OCT2013 JASON YANG	 TE Connectivity
		CHK 02NOV2016 SEAN HAN	
DIMENSIONS: mm		TOLERANCES UNLESS OTHERWISE SPECIFIED:	NAME CAGE ASSEMBLY, 1X6, QSFP28 WITH HEAT SINKS AND LIGHT PIPES, THRU BEZEL, EMI SPRING
		0 PLC ± 1 PLC ±0.25 2 PLC ±0.2 3 PLC ± 4 PLC ± ANGLES ± FINISH SEE NOTES	PRODUCT SPEC 108-19428 APPLICATION SPEC 114-32023 WEIGHT - SCALE 3:1 SHEET 9 OF 9 REV B
MATERIAL SEE NOTES material_2		FINISH SEE NOTES finish_spec_2	SIZE CAGE CODE DRAWING NO RESTRICTED TO A200779 C-2170708
CUSTOMER DRAWING			