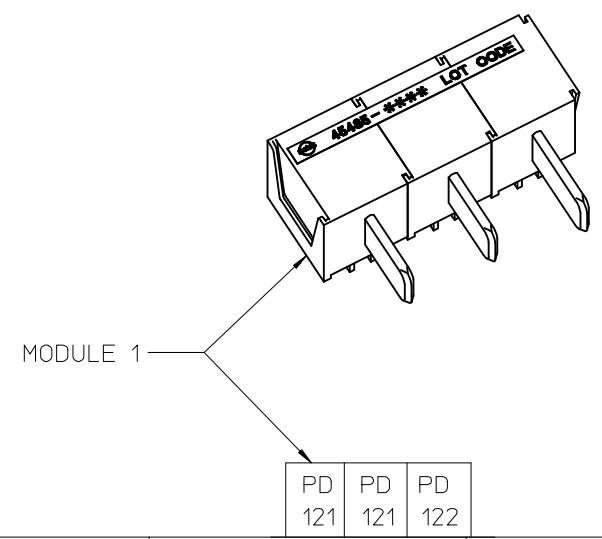
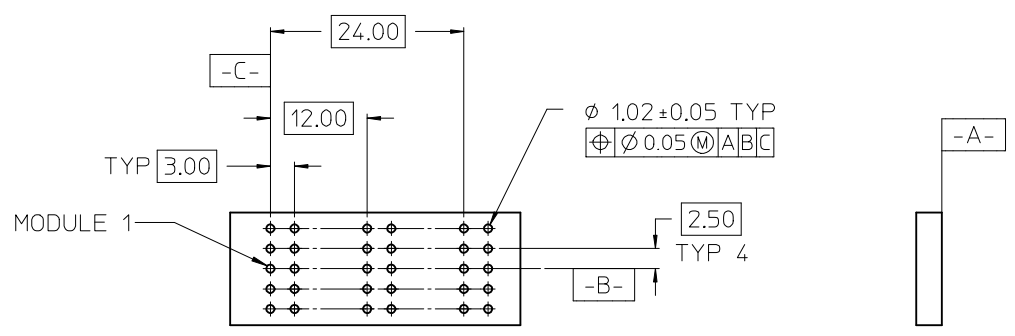
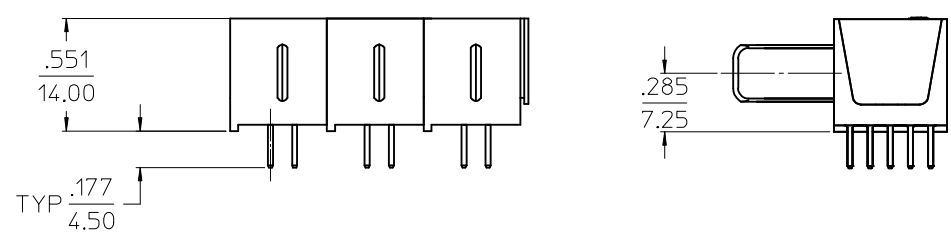
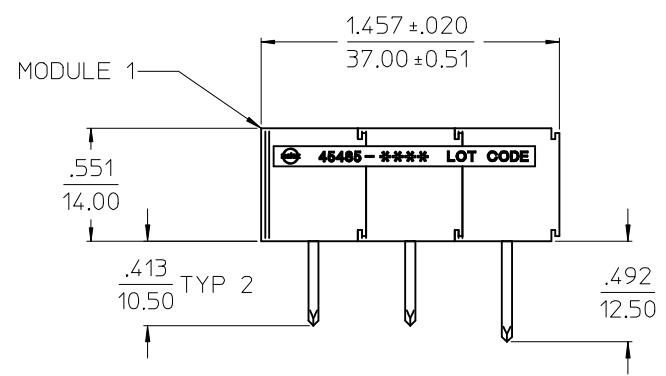


- NOTES:
1. MATERIAL: LCP, GLASS FILLED, UL94V-0, BLACK.  
CONTACTS: COPPER ALLOY
  2. FINISH: SELECT GOLD: 30 MI MIN.  
SELECT TIN: 100 MI MIN.  
BOTH OVER NICKEL
  3. PRODUCT SPECIFICATION: PS-45424-001,
  4. PACKAGING SPECIFICATION: PK-45485-001.



PCB LAYOUT: COMPONENT SIDE  
PCB THICKNESS: .125/3.18  
PCB TOLERANCE: ±.002/0.05

GEOM TOL PCB	EC NO: UCP2005-2625	QUALITY SYMBOLS
	DRWN: ADRAINO2005/07/07	
	CH'KD: KSAMIEC 2005/07/08	
	APPR: APATEL 2005/07/13	
C1	REV	

GENERAL TOLERANCES (UNLESS SPECIFIED)	mm	INCH	
	4 PLACES	± ---	± ---
	3 PLACES	± ---	± .010
	2 PLACES	± 0.25	± .015
	1 PLACE	± 0.38	± ---
ANGULAR ±1/2°			
DRAFT WHERE APPLICABLE			
MUST REMAIN WITHIN DIMENSIONS			

SCALE	DESIGN UNITS
1:1	METRIC
DIMENSION STYLE	
IN/MM	
DRAWN BY	DATE
SAMIEC	2003/03/26
CHECKED BY	DATE
MARGULIS	2003/03/26
APPROVED BY	DATE
MARGULIS	2003/03/26

THIRD ANGLE PROJECTION		REVISE ON CAD ONLY
TITLE		
POWER DOCK ASSEMBLY POWER RIGHT ANGLE SOLDER TAIL		
molex MOLEX INCORPORATED		
MATERIAL NO.	DOCUMENT NO.	SHEET NO.
45485-0005	SD-45485-005	1 OF 1
THIS DRAWING CONTAINS INFORMATION THAT IS PROPRIETARY TO MOLEX INCORPORATED AND SHOULD NOT BE USED WITHOUT WRITTEN PERMISSION		