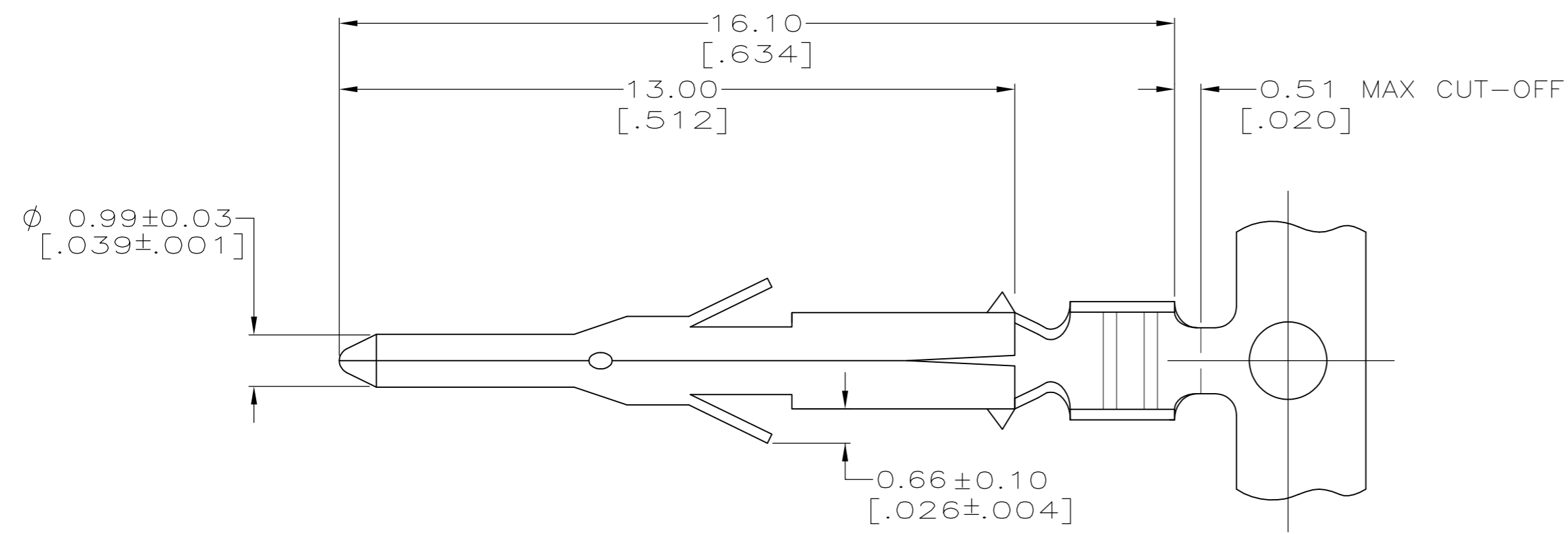
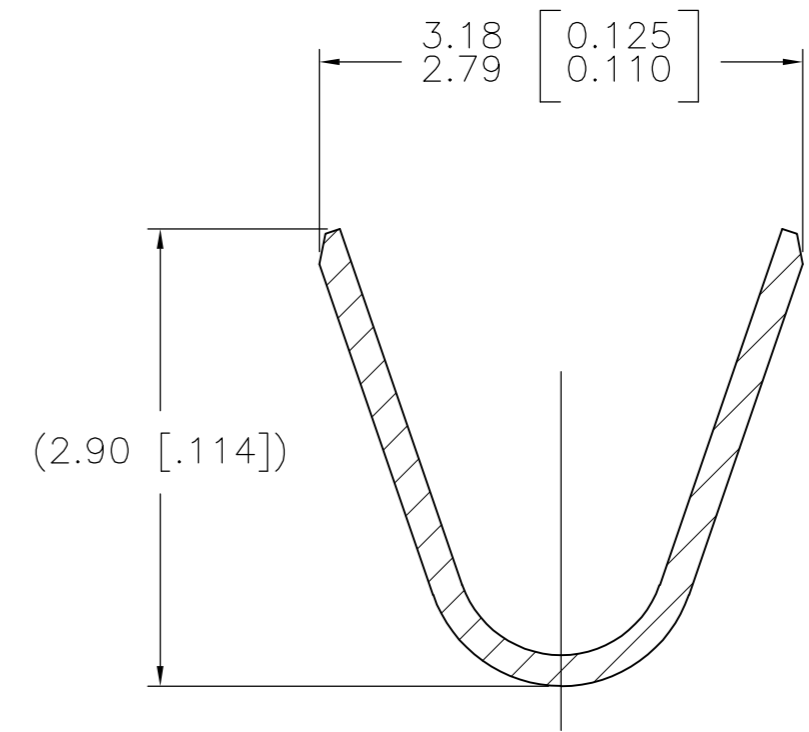
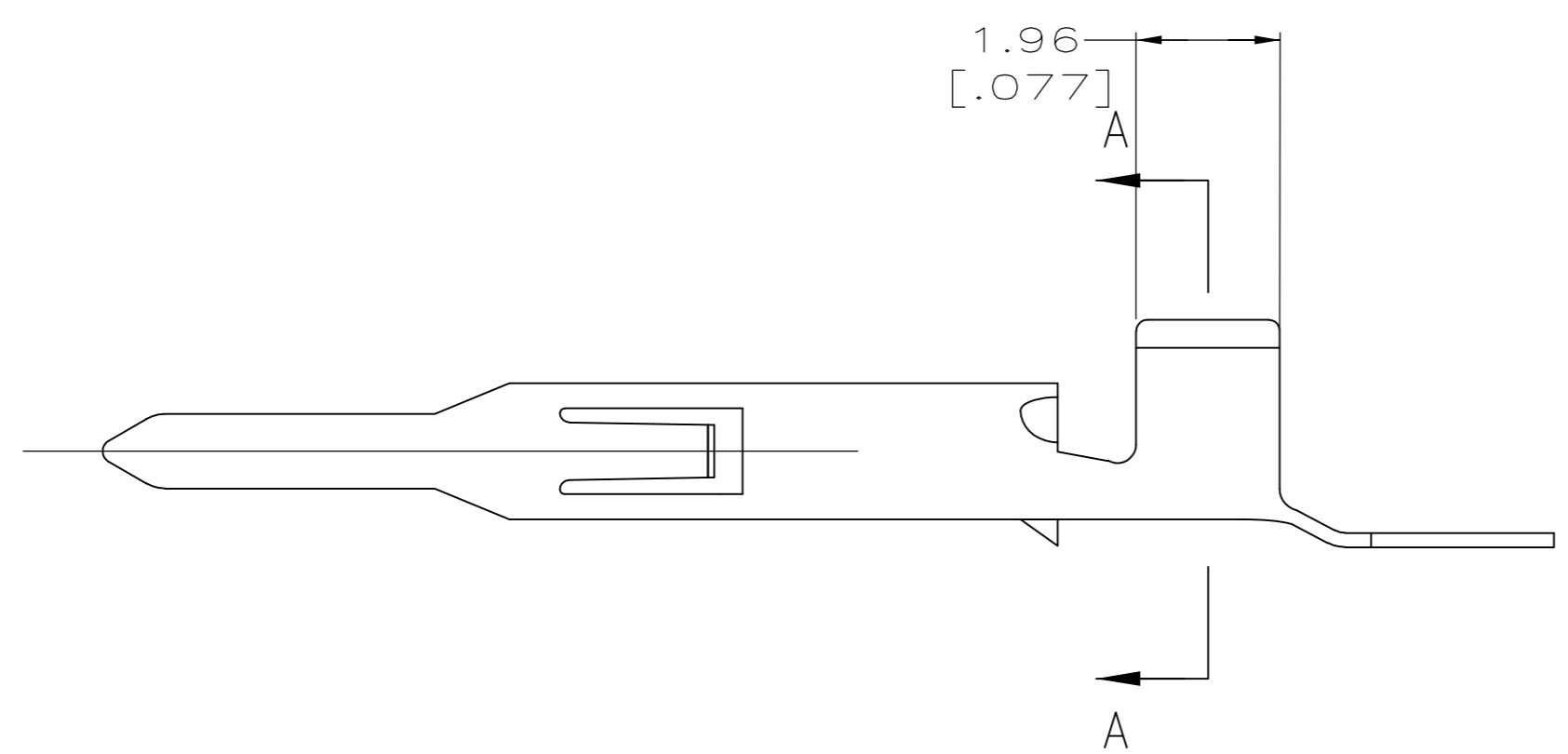


THIS DRAWING IS UNPUBLISHED. RELEASED FOR PUBLICATION
 © COPYRIGHT BY TYCO ELECTRONICS CORPORATION. ALL RIGHTS RESERVED.

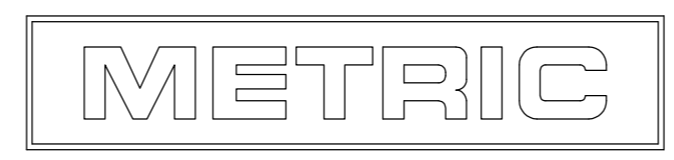
LOC	DIST	REVISIONS			
P	LTR	DESCRIPTION	DATE	DWN	APVD
CM	00	A	REVISED PER ECR-11-001794	22FEB11	HMR TM



- 1 WIRE RANGE: 1.3 - 1.4MM² (16 AWG).
- 2 INSULATION RANGE: 3.3 MAX [.130] DIA.
- 3 DIMENSIONS IN BRACKETS ARE IN INCHES.



SECTION A-A
SCALE 20:1



PRE-TIN	0.20 [.008] BRASS	1586537-1
FINISH	MATERIAL	PART NO

THIS DRAWING IS A CONTROLLED DOCUMENT.		DWN K. WHITAKER 18OCT2004	Tyco Electronics Corporation Harrisburg, PA 17105-3608	
DIMENSIONS: mm [INCHES]	TOLERANCES UNLESS OTHERWISE SPECIFIED:	CHK C. JONES 18OCT2004	NAME PIN, UNIVERSAL MATE-N-LOK(TM)	
	0 PLC ± -	APVD C. JONES 18OCT2004	SIZE A2	CAGE CODE 00779
	1 PLC ± -	PRODUCT SPEC	DRAWING NO C=1586537	RESTRICTED TO -
MATERIAL SEE TABLE	FINISH SEE TABLE	APPLICATION SPEC	SCALE 10:1	SHEET 1 OF 1
		WEIGHT -	CUSTOMER DRAWING	REV A

1586537