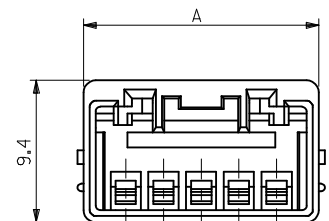
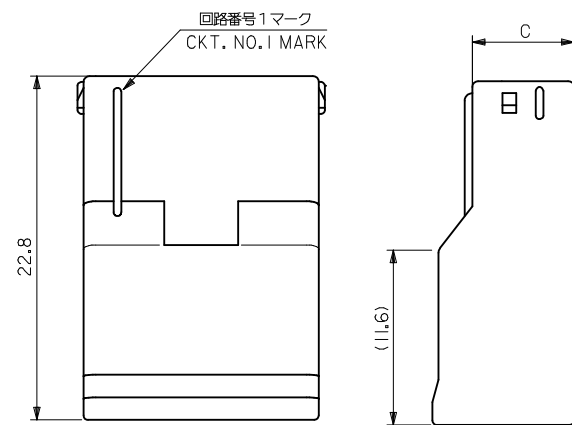
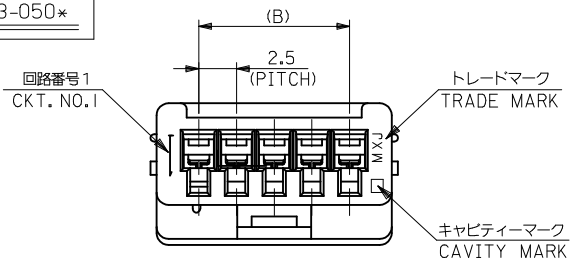
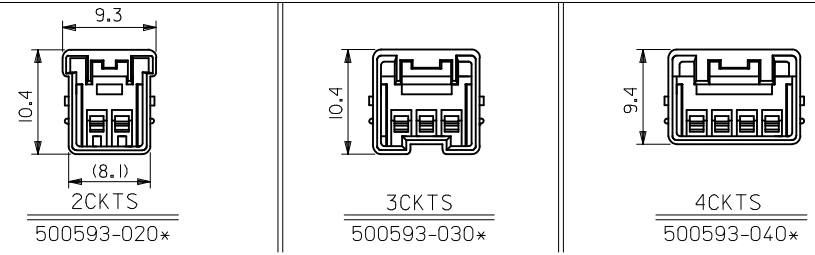


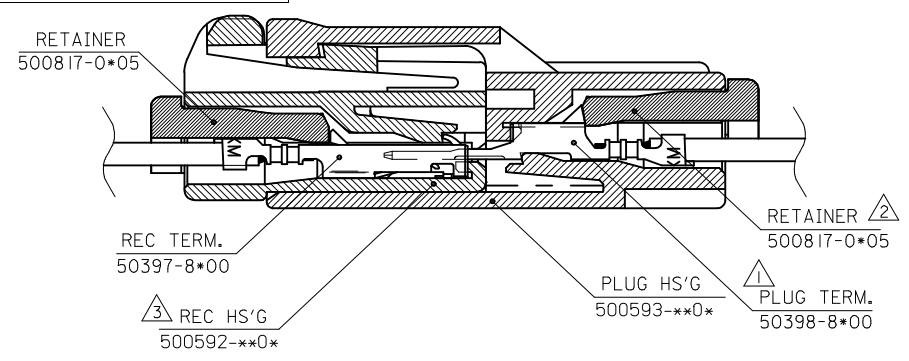
SHAPE OF
500593-050*



4種以下での極数レイアウト図
LAYOUT OF 2/3/4CKTS.



ターミナル装着状態図
TERMINAL ASSEMBLY DRAWING



- 注記
NOTES
- △ 適合ターミナル：50398シリーズ
APPLICABLE TERMINAL：50398 SERIES
 - △ 適合リテーナー：500817シリーズ
APPLICABLE RETAINER：500817 SERIES
 - △ 嵌合相手：500592シリーズ
MATE WITH：500592 SERIES
4. 材質：PBT (UL94V-0)
MATERIAL：PBT(UL94V-0)


5. MATERIAL NO. は以下の内容を示す。
MATERIAL NO.：

500593-**0*

極数 CKT	色 COLOR
0	0: 自然色 NATURAL
1	1: 黒 BLACK
2	2: 赤 RED
3	3: 黄色 YELLOW
4	4: 青 BLUE
6	6: 緑 GREEN

REVISED EC NO: J2015-1396 DR:WAKAMATSUYAMA 2015/04/17 CHKD:KASAKAWA 2015/04/17 APPR:KASAKAWA 2015/04/17	GENERAL TOLERANCES (UNLESS SPECIFIED)		DIMENSION STYLE MM ONLY		SCALE 3:1	DESIGN UNITS METRIC	500593-**0*	MODEL NO.
	0.25 UNDER	±0.03	DRAWN BY J. MUMEDA	DATE 2005/04/07	TITLE 2.5MM WIRE TO WIRE CONN. PLUG HOUSING			
	0.25 OVER 0.5 UNDER	±0.05	CHECKED BY K. TOYODA	DATE 2005/04/07				
	0.5 OVER 1.0 UNDER	±0.1	APPROVED BY KASAKAWA	DATE 2015/04/17	MATERIAL NO.	DOCUMENT NO. SD-500593-001	SHEET NO. 1 OF 2	
1.0 OVER 10 UNDER	±0.2	DRAFT WHERE APPLICABLE MUST REMAIN WITHIN DIMENSIONS		SIZE A3	THIS DRAWING CONTAINS INFORMATION THAT IS PROPRIETARY TO MOLEX INCORPORATED AND SHOULD NOT BE USED WITHOUT WRITTEN PERMISSION			
10 OVER 30 UNDER	±0.25							
30 OVER	±0.3							
ANGULAR	±3 °							

500592-080*	500817-0805	6.75	17.5	23.1	8	500593-0806	— // —	— // —	— // —	— // —	500593-0800	500593-***0*
∠ -070*	∠ -0705	∠ 15	20.6	7	— // —	— // —	— // —	— // —	— // —	∠ -0700		
-060*	-0605	12.5	18.1	6	— // —	— // —	— // —	— // —	— // —	-0600		
-050*	-0505	10	15.6	5	— // —	500593-0504	— // —	— // —	— // —	-0500		
-040*	-0405	6.75	7.5	13.1	4	— // —	— // —	500593-0403	— // —	-0400		
-030*	-0305	7.75	5	10.6	3	— // —	500593-0304	— // —	— // —	-0300		
500592-020*	500817-0205	7.75	2.5	8.1	2	— // —	500593-0204	500593-0203	500593-0202	500593-0201	500593-0200	MODEL NO.
MATE WITH	CONFORTABLE-RETAINER	C	B	A	CKT.	GREEN	BLUE	YELLOW	RED	BLACK	NATURAL	

REVISED EC NO: J2015-1396 DRW:KMATSUYAMA 2015/04/24 CHKD:KASAKAWA 2015/04/27 APPR:KASAKAWA 2015/04/27	GENERAL TOLERANCES (UNLESS SPECIFIED)		DIMENSION STYLE MM ONLY		SCALE 3:1	DESIGN UNITS METRIC	THIRD ANGLE PROJECTION
	0.25 UNDER	± 0.03	DRAWN BY	DATE	TITLE		
	0.25 OVER 0.5 UNDER	± 0.05	J. MUMEDA	2005/04/07	2.5MM WIRE TO WIRE CONN. PLUG HOUSING		
	0.5 OVER 1.0 UNDER	± 0.1	CHECKED BY	DATE			
	1.0 OVER 10 UNDER	± 0.2	K. TOYODA	2005/04/07			
	10 OVER 30 UNDER	± 0.25	APPROVED BY	DATE	DOCUMENT NO.		
30 OVER	± 0.3	KASAKAWA	2015/04/27	SD-500593-001			
ANGULAR ±3 °		MATERIAL NO.		SHEET NO.			
DRAFT WHERE APPLICABLE MUST REMAIN WITHIN DIMENSIONS		SIZE A3	THIS DRAWING CONTAINS INFORMATION THAT IS PROPRIETARY TO MOLEX INCORPORATED AND SHOULD NOT BE USED WITHOUT WRITTEN PERMISSION				