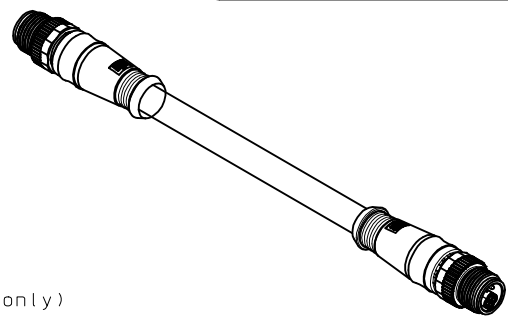


Beispiel für Kabelbedruckung
EXAMPLE FOR CABLE PRINTING

Molex Connectivity GmbH <15mm> Material-No. aus TAB.1 <8mm> Prod.Date <8mm> Kabellänge



TAB.:1

Description:
M12 Hybrid Cordset applications.
Transmission after CAT5e (Signal contacts only)
Special coding.

Electrical Data:
Signal: 4 Poles
Max. Voltage: 30V
Max. Current: 0,5A at 55°C
Contact resistance: <5 mOhm
Insulation withstand: >100 MOhm
Impedance: 100 Ohm
HF performance testing: limits class D/CAT5e,
according ISO IEC 11801/TIA-568-C.2 "Permanent Link"

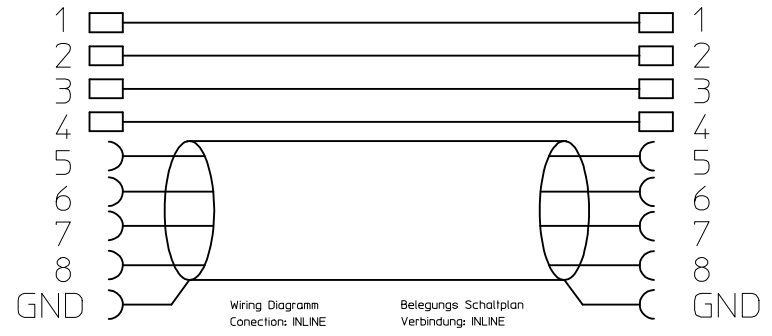
Power:
Max. Voltage: 30V
Max. Current: 6A at 55°C
Contact resistance: <5 mOhm
Insulation withstand: >100 MOhm

Environmental:
Protection: IP67
Temperature Range: -25°C to 75°C

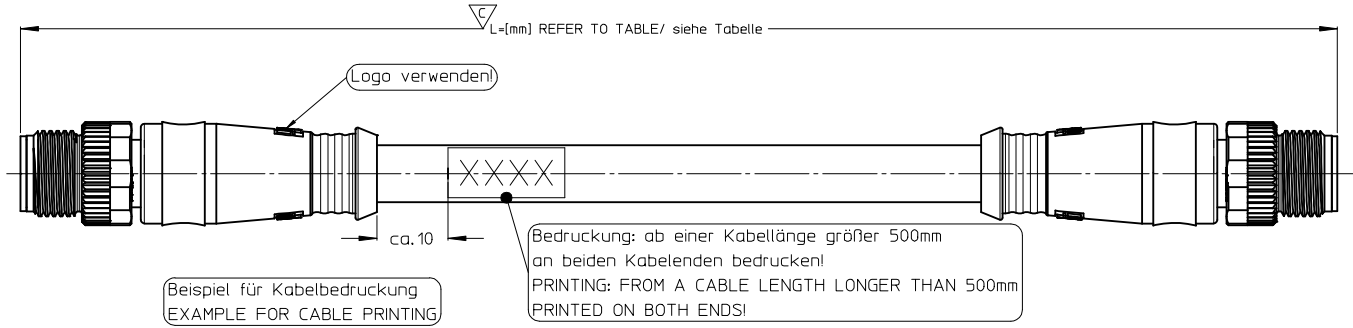
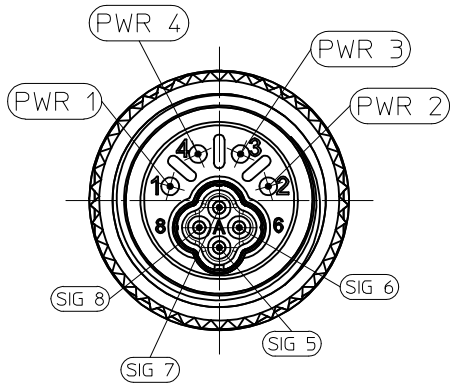
Packaging:
The cordset is packed and shipped out in a cardboard box.

P/N	Description / L=(mm)
120244-0200	D/E Cordset male straight "Schleppkette" 250
120244-0201	D/E Cordset male straight "Schleppkette" 500
120244-0202	D/E Cordset male straight "Schleppkette" 1000
120244-0203	D/E Cordset male straight "Schleppkette" 1500
120244-0204	D/E Cordset male straight "Schleppkette" 2000
120244-0205	D/E Cordset male straight "Schleppkette" 5000
120244-0206	D/E Cordset male straight "Schleppkette" 8000
120244-0207	D/E Cordset male straight "Schleppkette" 10000
120244-0208	D/E Cordset male straight "Schleppkette" 15000

- 1 - Power 0V
- 2 - Power 0V_{Lost}
- 3 - Power 24V_{Lost}
- 4 - Power 24V
- 5 - Signal TX+
- 6 - Signal RX-
- 7 - Signal TX-
- 8 - Signal RX+
- Shielding / GND

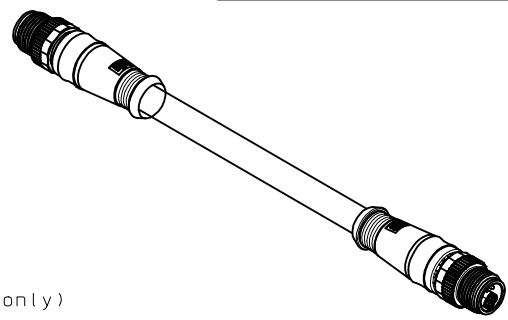


ENTER DESCRIPTION EC NO: IPG2015-1413 DRW:RSJILLER 2016/10/25 CHKD:RSCHIEBER 2016/11/22 APPR:RSJILLER 2016/11/22 A3	DESCRIPTION REV	QUALITY SYMBOLS ▼=0 ▽=1	GENERAL TOLERANCES (UNLESS SPECIFIED)		DIMENSION STYLE MM ONLY	SCALE 2:1	DESIGN UNITS METRIC	THIRD ANGLE PROJECTION
		4 PLACES ± --- ± --- 3 PLACES ± --- ± --- 2 PLACES ± 0.05 ± --- 1 PLACE ± 0.1 ± --- ANGULAR ± ---°	mm INCH DRAWN BY DATE RSJILLER 2011/02/21 CHECKED BY DATE CFOERDERER 2011/02/24 APPROVED BY DATE AVOGT 2011/02/24	TITLE CSE M12 8P 0C MF STR PUR DE SHLD				
		DRAFT WHERE APPLICABLE MUST REMAIN WITHIN DIMENSIONS	MATERIAL NO. SEE CHART	DOCUMENT NO. SD-120244-200	SHEET NO. 1 OF 1			
		THIS DRAWING CONTAINS INFORMATION THAT IS PROPRIETARY TO MOLEX INCORPORATED AND SHOULD NOT BE USED WITHOUT WRITTEN PERMISSION						



Beispiel für Kabelbedruckung
EXAMPLE FOR CABLE PRINTING

Molex Connectivity GmbH <15mm> Material-No. aus TAB.1 <8mm> Prod.Date <8mm> Kabellänge



TAB.:1

Description:
M12 Hybrid Cordset applications.
Transmission after CAT5e (Signal contacts only)
Special coding.

Electrical Data:
Signal: 4 Poles
Max. Voltage: 30V
Max. Current: 0,5A at 55°C
Contact resistance: <5 mOhm
Insulation withstand: >100 MOhm
Impedance: 100 Ohm
HF performance testing: limits class D/CAT5e,
according ISO IEC 11801/TIA-568-C.2 "Permanent Link"

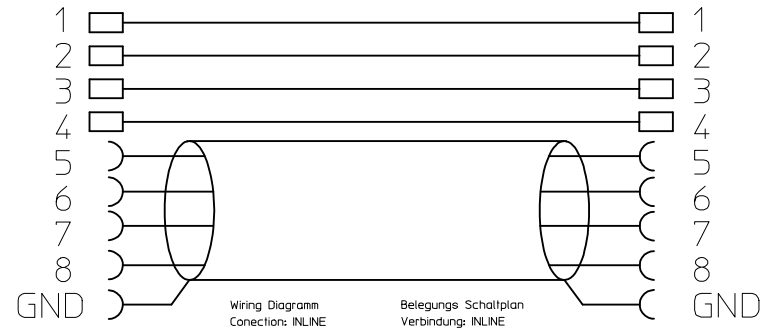
Power:
Max. Voltage: 30V
Max. Current: 6A at 55°C
Contact resistance: <5 mOhm
Insulation withstand: >100 MOhm

Environmental:
Protection: IP67
Temperature Range: -25°C to 75°C

Packaging:
The cordset is packed and shipped out in a cardboard box.

P/N	Description / L=(mm)
120244-0200	D/E Cordset male straight "Schleppkette" 250
120244-0201	D/E Cordset male straight "Schleppkette" 500
120244-0202	D/E Cordset male straight "Schleppkette" 1000
120244-0203	D/E Cordset male straight "Schleppkette" 1500
120244-0204	D/E Cordset male straight "Schleppkette" 2000
120244-0205	D/E Cordset male straight "Schleppkette" 5000
120244-0206	D/E Cordset male straight "Schleppkette" 8000
120244-0207	D/E Cordset male straight "Schleppkette" 10000
120244-0208	D/E Cordset male straight "Schleppkette" 15000

- 1 - Power 0V
- 2 - Power 0V_{Lost}
- 3 - Power 24V_{Lost}
- 4 - Power 24V
- 5 - Signal TX+
- 6 - Signal RX-
- 7 - Signal TX-
- 8 - Signal RX+
- Shielding / GND



ENTER DESCRIPTION EC NO: IPG2015-1413 DRW:RSJILLER 2016/10/25 CHKD:RSCHIEBER 2016/11/22 APPR:RSJILLER 2016/11/22 A3	QUALITY SYMBOLS ▼=0 ▽=1	GENERAL TOLERANCES (UNLESS SPECIFIED)		DIMENSION STYLE MM ONLY		SCALE 2:1	DESIGN UNITS METRIC	THIRD ANGLE PROJECTION			
		4 PLACES ± --- ± ---	mm INCH	DRAWN BY RSJILLER	DATE 2011/02/21	TITLE CSE M12 8P 0C MF STR PUR DE SHLD					
		3 PLACES ± --- ± ---	± 0.05 ± ---	CHECKED BY CFOERDERER	DATE 2011/02/24	Molex MOLEX INCORPORATED					
		2 PLACES ± 0.1 ± ---	± --- ± ---	APPROVED BY AVOGT	DATE 2011/02/24	MATERIAL NO. SEE CHART	DOCUMENT NO. SD-120244-200	SHEET NO. 1 OF 1			