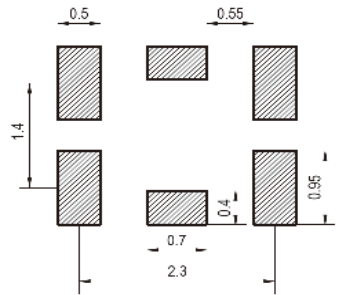
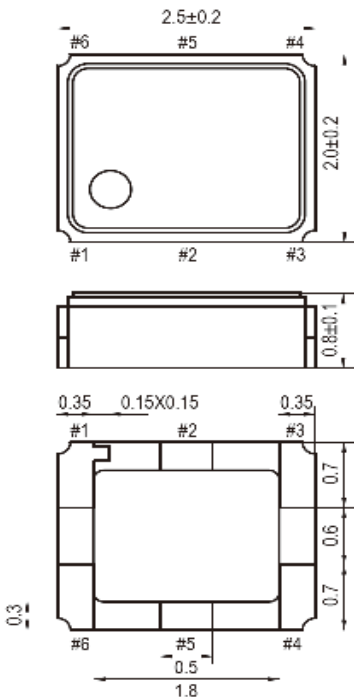


REVISIONS			
REV	DESCRIPTION	DATE	APPROVED

**ELECTRICAL SPECIFICATIONS**

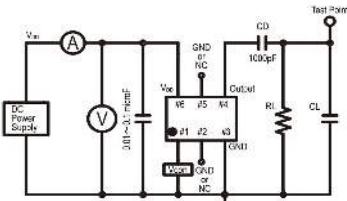
Frequency: 40.000000 MHz  
 Frequency Stability -30 to +85°C (Ref @ +25°C): ± 2.0 ppm Max.  
 Frequency Tolerance (@ +25°C Vcon +1/2VDC): ± 1.5 ppm Max.  
 Supply Voltage (Vdd): +2.8V DC ± 5%  
 Control Voltage: 1.4V ± 1.0V  
 Supply variation: ±0.2 ppm max. at +2.8V ± 5%  
 Load variation: ±0.2 ppm max. at 10K Ω ± 10% with 10pF ± 10%  
 Input Current: 2.0 mA Max.  
 Output Voltage: 0.8 V p-p Min.  
 Output Load: 10K Ohms ±10%/10 pF ±10%  
 Output Waveform: Clipped Sine Wave  
 Aging (per year @ +25°C): ± 1 ppm/Year Max.  
 Frequency Adjustment: ± 9 ppm ~ ±15 ppm (Positive Slope)  
 Operating Temperature: -30 to +85°C  
 Storage Temperature: -40 to +85°C  
 Startup Time: 2.0 ms Max.  
 SSB Phase Noise: -135 dBc/Hz @ +1 KHz Offset  
 Harmonic distortion: -5 dBc max.

**PACKAGE DIMENSIONS (mm)**



Pad Connections	
1	Vcontrol
2	NC or Ground
3	Ground
4	Output
5	NC or Ground
6	VDD

**ECS Part Number: OECS-400-CDX-1155**



CD : DC-Cut capacitance  
 RL : 10Kohm ± 10%  
 CL : 10pF ± 10% including fixture and probe capacitance

ECS INC. INTERNATIONAL 1105 S. Ridgeview Olathe, KS 66062 (913) 782-7787		
SIGNATURES		DATE
DRN <b>BL</b>		5/31/2016
CHK <b>DK</b>		5/31/2016
APP <b>BS</b>		5/31/2016
TITLE		<b>40.000 MHz VC-TCXO, Extended Temp Range</b>
SIZE A	DWG NO. OECS-400-CDX-1155	REV
Dimensions in mm		CAGE CODE: 1G8B7
		SHEET 1 OF 1