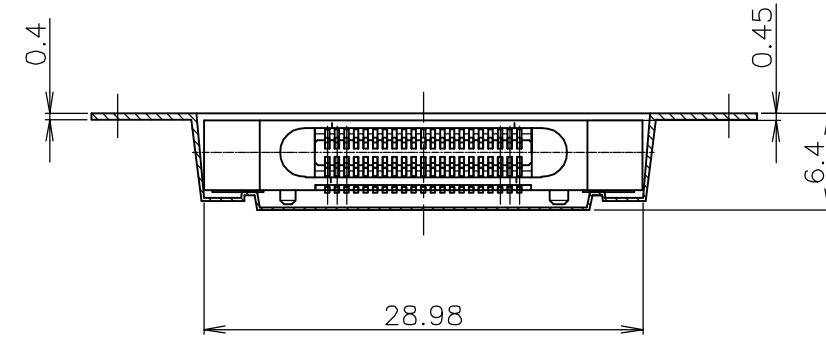
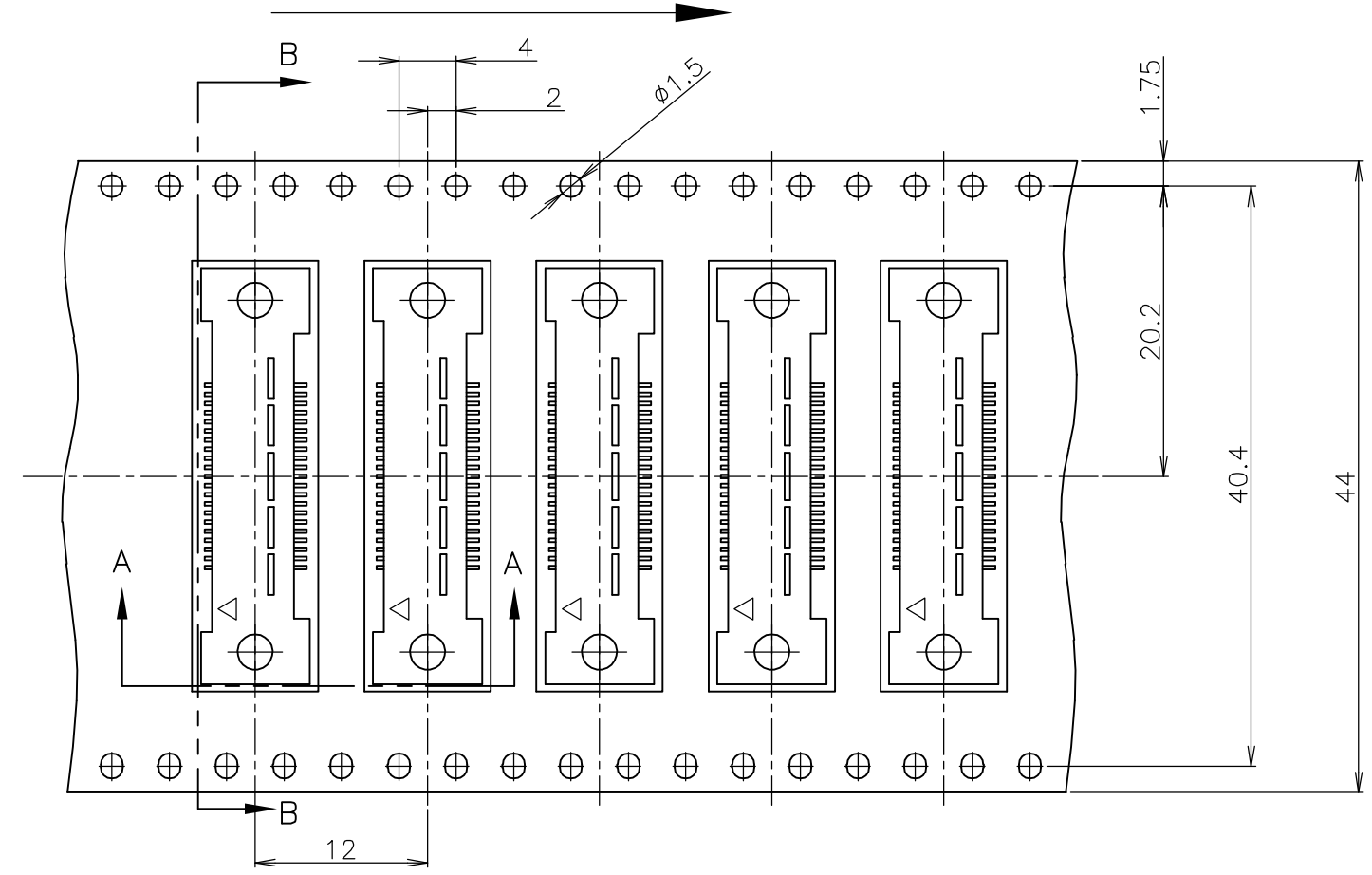


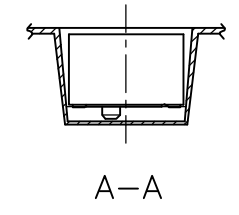
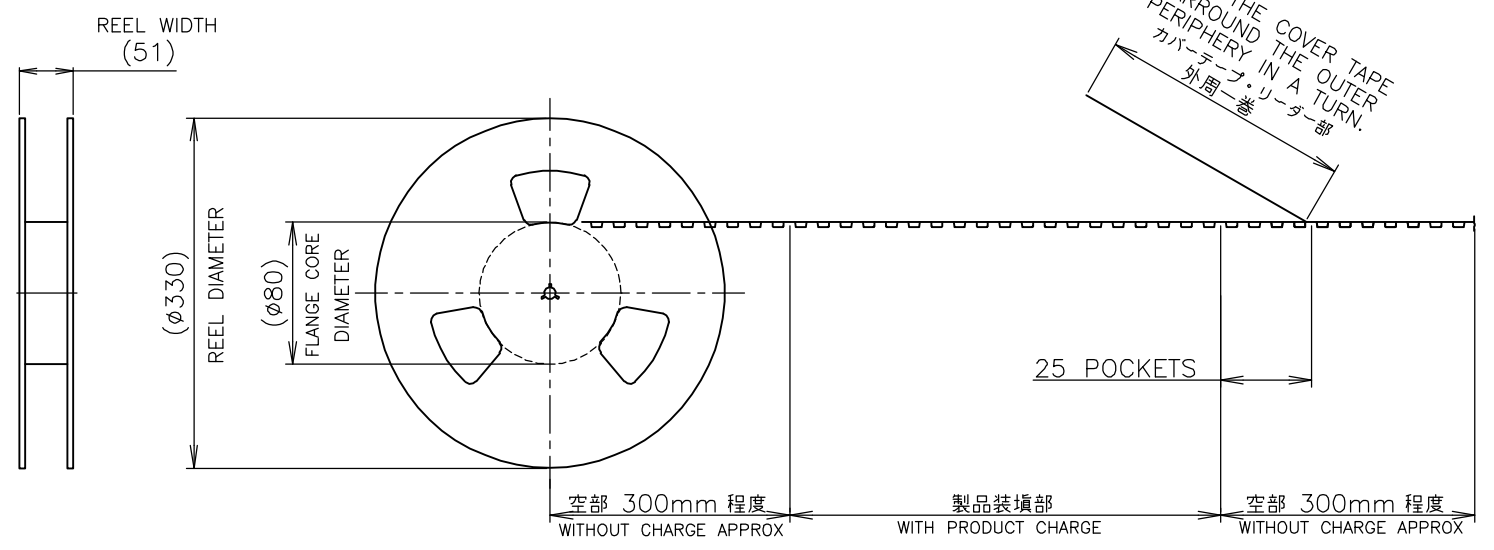
THIS DRAWING IS UNPUBLISHED. RELEASED FOR PUBLICATION JAN , 2005.
 © COPYRIGHT 2005 BY TYCO ELECTRONICS CORPORATION. ALL RIGHTS RESERVED.

LOC	DIST	REVISIONS				
		P	LTR	DESCRIPTION	DATE	DWN
J		A	RELEASED	29NOV05	H.F	Y.Y

リール引き出し方向
DIRECTION OFF TOP OF REEL



WINDING THE COVER TAPE
AROUND THE OUTER
PERIPHERY IN A TURN.
カバーテープ・リール部
外周一巻



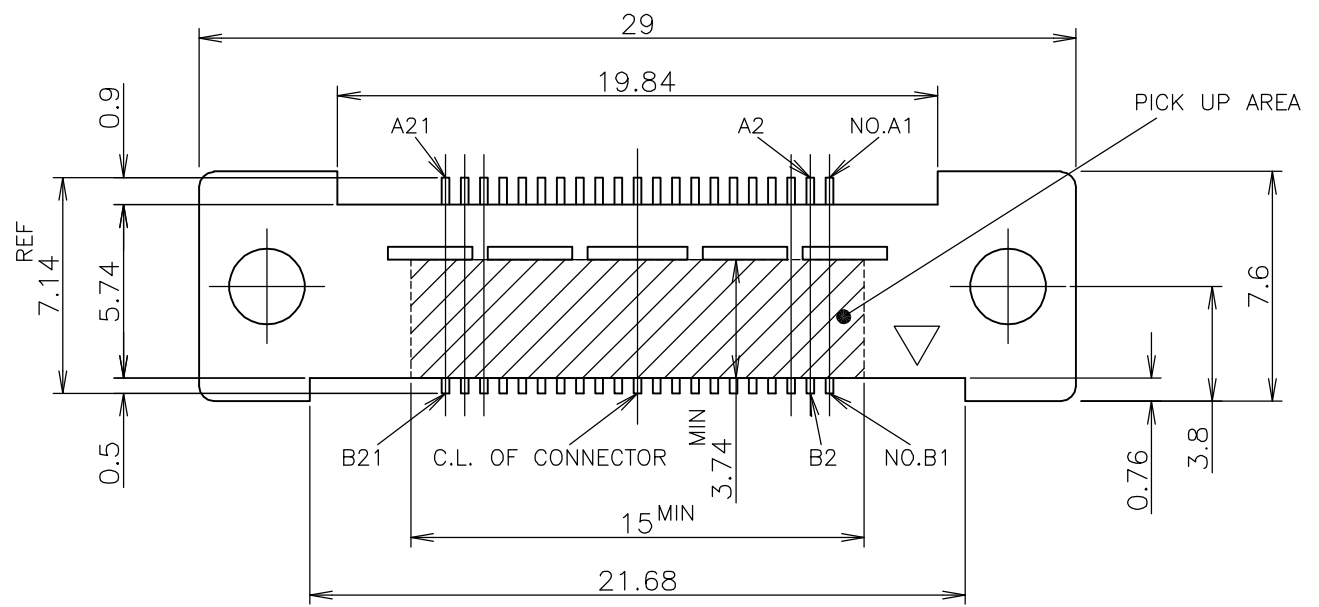
△ 材料;
エンボステープ : PS
カバーテープ : PET

△ MATERIAL ;
EMBOSS TAPE : PS
COVER TAPE : PET

THIS DRAWING IS A CONTROLLED DOCUMENT.		DWN	H.FUKUZAKI	29NOV05		Tyco Electronics AMP K.K. Kawasaki, Japan						
DIMENSIONS: 単位: 耗 mm		CHK	H.FUTATSUGI	29NOV05		NAME	EMBOSS ASSY					
TOLERANCES UNLESS OTHERWISE SPECIFIED: 一般公差		APVD	Y.YAMAMOTO	29NOV05		名称	0.635mm PITCH BAY CONN. RECEPTACLE.					
0-PLC ± 1-PLC ± ±0.3 2-PLC ± 3-PLC ± 4-PLC ± ANGLES ±3°		PRODUCT SPEC	108-78235		SIZE	A3	CAGE CODE	00779	DRAWING NO	C-1903260	RESTRICTED TO	
MATERIAL 材料		FINISH 仕上		WEIGHT	CUSTOMER DRAWING		SCALE	NTS	SHEET	1 OF 3	REV	A

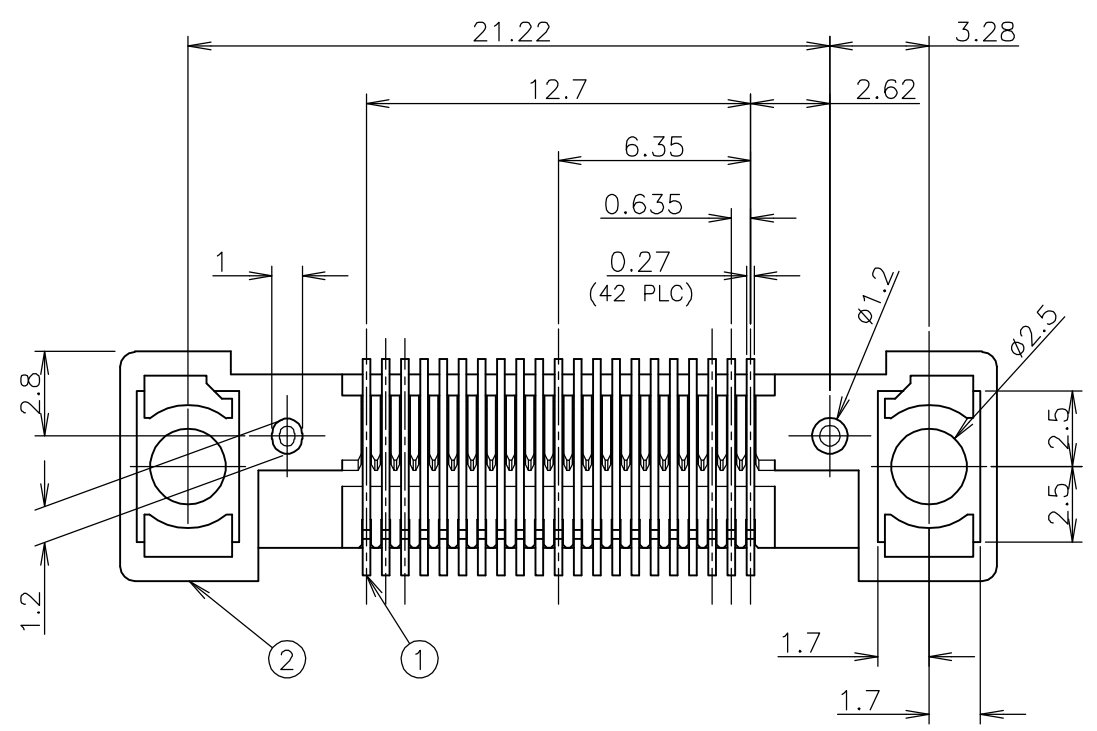
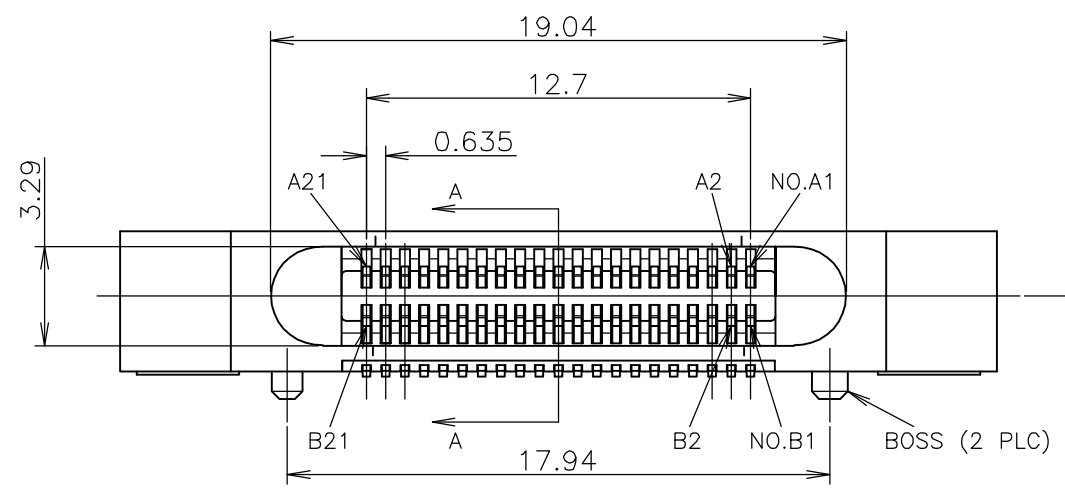
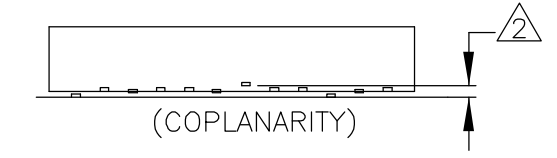
THIS DRAWING IS UNPUBLISHED. RELEASED FOR PUBLICATION
 © COPYRIGHT BY TYCO ELECTRONICS CORPORATION. ALL RIGHTS RESERVED.

LOC	DIST	REVISIONS		
		P	LTR	DESCRIPTION
J	/	-	-	SEE SHEET 1



注記
 1 材質：
 ハウジング；熱可塑性樹脂（UL94V-0、黒色）
 コンタクト；銅合金
 仕上げ；全面ニッケル下地めっき
 接点部 金めっき
 はんだ付け部 すずめっき
 △2 コネクタを平坦面に置き、タインの浮きは0.1以下。
 3 一般公差：±0.3、±3°

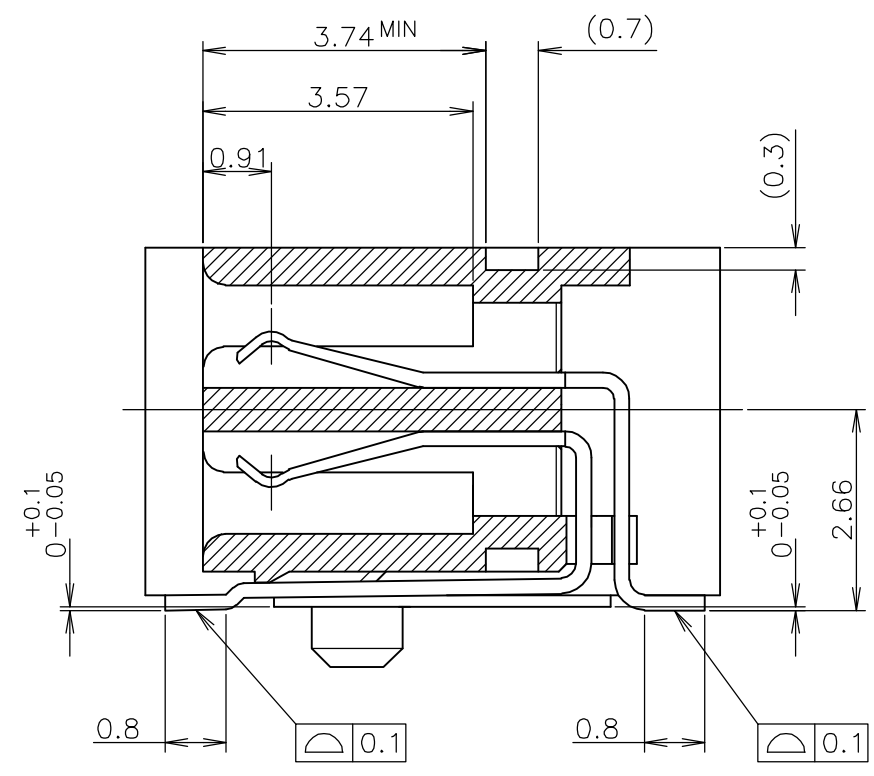
NOTE
 1 MATERIAL
 HOUSING : THERMO-PLASTICS(UL94V-0,BLACK)
 CONTACT : COPPER ALLOY
 FINISH : ALL OVER Ni UNDER PLATING.
 Au PLATING ON CONTACT AREA
 Sn PLATING ON TINE AREA
 △2 MUST BE MEASURED FLOATING AMOUNT OF TINE
 FROM DATUM SURFACE IS 0.1 MAX.
 3 GENERAL TOLERANCE : ±0.3,±3°



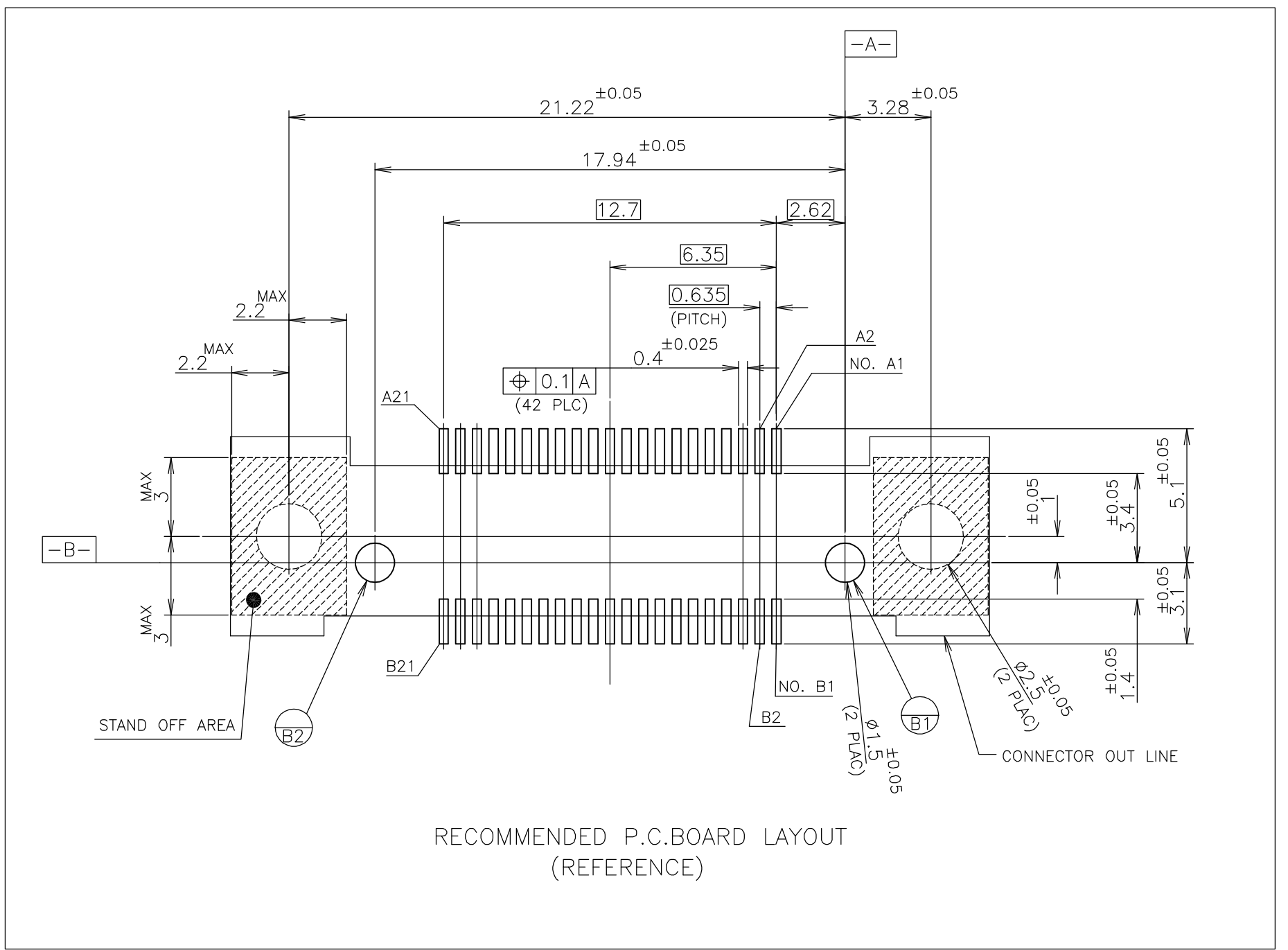
THIS DRAWING IS A CONTROLLED DOCUMENT.		DWN	Tyco Electronics AMP K.K.		
DIMENSIONS: 単位： 耗 mm		CHK	Kawasaki, Japan		
TOLERANCES UNLESS OTHERWISE SPECIFIED: 一般公差		APVD	NAME 名称		
0 PLC ± -		PRODUCT SPEC 製品規格	EMBOSS ASSY		
1 PLC ± -		APPLICATION SPEC 取付適用規格	0.635mm PITCH BAY CONN. RECEPTACLE		
2 PLC ± -		WEIGHT	SIZE	CAGE CODE	DRAWING NO 番号
3 PLC ± -		CUSTOMER DRAWING	A3	00779	C-1903260
4 PLC ± -			SCALE 尺度	SHEET	OF
ANGLES ± -			4:1	2	3
FINISH 仕上					A

THIS DRAWING IS UNPUBLISHED. RELEASED FOR PUBLICATION
 © COPYRIGHT BY TYCO ELECTRONICS CORPORATION. ALL RIGHTS RESERVED.

LOC	DIST	REVISIONS		
J	/	P	LTR	DESCRIPTION
				DATE
				DWN
				APVD
		SEE SHEET 1		



SECT A-A
(SCALE 10:1)



RECOMMENDED P.C.BOARD LAYOUT
(REFERENCE)

THIS DRAWING IS A CONTROLLED DOCUMENT.		DWN	Tyco Electronics AMP K.K. Kawasaki, Japan		
DIMENSIONS: 単位: 耗 mm	TOLERANCES UNLESS OTHERWISE SPECIFIED: 一般公差	CHK	NAME 名称		
	0 PLC ± -	APVD	EMBOSS ASSY		
	1 PLC ± -	PRODUCT SPEC 製品規格	0.635mm PITCH BAY CONN. RECEPTACLE		
MATERIAL 材料	2 PLC ± -	APPLICATION SPEC 取付適用規格	SIZE	CAGE CODE	DRAWING NO 番号
	3 PLC ± -	WEIGHT	A3	00779	C-1903260
	4 PLC ± -		RESTRICTED TO		
	ANGLES ± -		SCALE 5:1		
	FINISH 仕上		SHEET 3 OF 3		
			REV A		