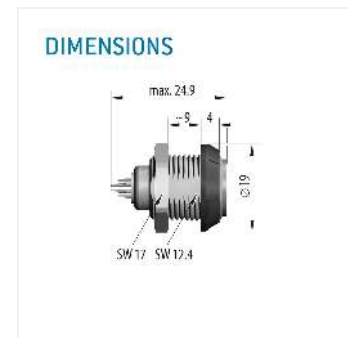
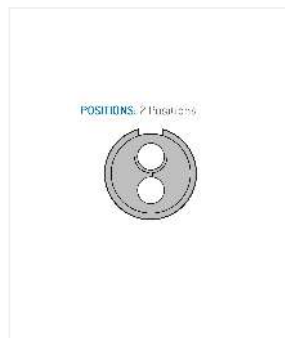


**General information**

|                   |                     |
|-------------------|---------------------|
| Part number       | G51MC7-P02LPH0-0020 |
| Termination       | solder              |
| Size              | 1                   |
| Locking principle | break , push        |
| Coding            | c_key_medi          |



**Contact insert description**

|                      |         |
|----------------------|---------|
| Number of contacts   | 2       |
| Contact type         | sockets |
| Contact diameter     | 13mm    |
| Insulator material   | peek    |
| Wire cross section   | 20_awg  |
| Termination          | solder  |
| Termination diameter | 11mm    |

reverse\_gender\_on\_request

**Technical information**

|  |          |               |
|--|----------|---------------|
| Max. creepage and air clearance distance | 13_mm    |               |
| Nominal current single contact           | 12_a     | iec_60512_5_2 |
| Nominal current insert                   | 12 A     | vde_0298_4    |
| Test voltage                             | 19_kv_dc | sae_13441     |

safety\_text

## Mechanical and environmental data

|                       |          |
|-----------------------|----------|
| Degree of protection* | ip50     |
| Operating temperature | 50_120_c |
| Mating cycles         | 5000     |

mated\_unmated

## Insulator materials MEDI-SNAP®

psu\_peek

## Material and surface treatments

|              |               |
|--------------|---------------|
| Housing      | psu_gray      |
| Color option | red           |
| Contact      | cu_alloy_gold |

safety\_text\_2  
ul\_text  
illustrative\_text