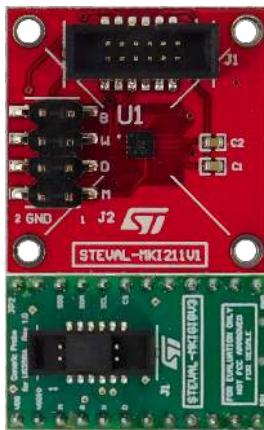


3D digital accelerometer sensor kit based on LIS25BA



Features

- User friendly LIS25BA board
- Complete LIS25BA pinout for a standard DIL 24 socket
- Fully compatible with STEVAL-MKI109V3 motherboard
- Double-sided adhesives included for easy mounting on equipment to be measured
- RoHS compliant

Description

The [STEVAL-MKI211V1K](#) evaluation board has an embedded [LIS25BA](#) 3D accelerometer which is connected through flat cable to a simple adapter board ([STEVAL-MKIGIBV3](#)) to render it compatible with [STEVAL-MKI109V3](#).

The sensor is soldered precisely in the center of the board and double-sided adhesives are provided to allow users to conveniently mount the board on equipment destined for vibration analysis. Alternatively, you can mount the board using the holes located in each corner of the PCB.

The [STEVAL-MKIGIBV3](#) can be plugged into a standard DIL 24 socket. The kit provides the complete [LIS25BA](#) pin-out and comes ready-to-use with the required decoupling capacitors on the VDD power supply line.

This adapter is supported by [STEVAL-MKI109V3](#) motherboards with high performance 32-bit microcontroller functioning as a bridge between the sensor and a PC, on which it is possible to use the downloadable graphical user interface (Unico GUI), or dedicated software routines for customized applications.

| Product summary | |
|---|----------------------------------|
| 3D digital accelerometer sensor kit based on LIS25BA | STEVAL-MKI211V1K |
| LIS25BA - MEMS digital output motion sensor: low noise, high bandwidth, 3-axis accelerometer with TDM interface | LIS25BA |
| ST MEMS adapter motherboard based on STM32F401VE compatible ST MEMS adapters | STEVAL-MKI109V3 |
| Application | Internet of Things |

1 Schematic diagrams

Figure 1. STEVAL-MKI211V1 circuit schematic

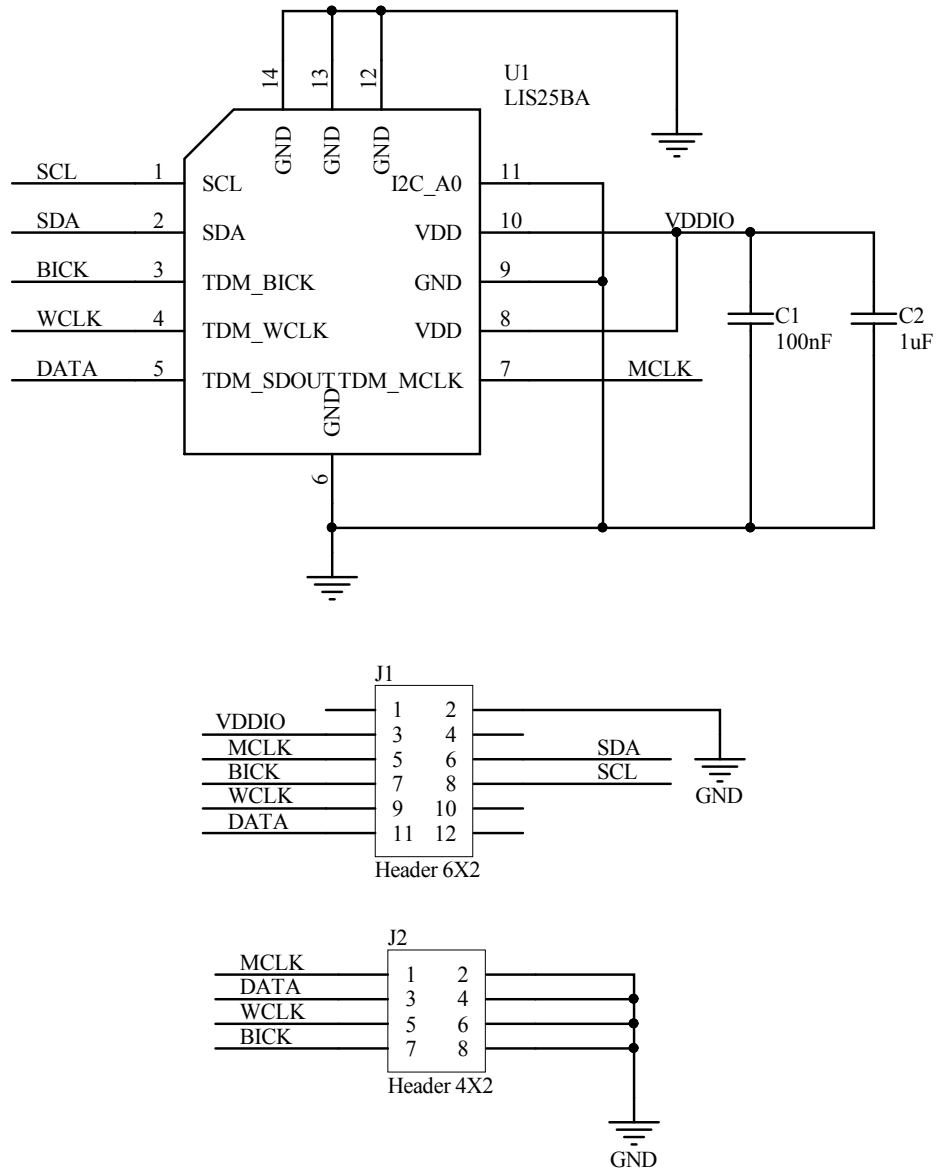
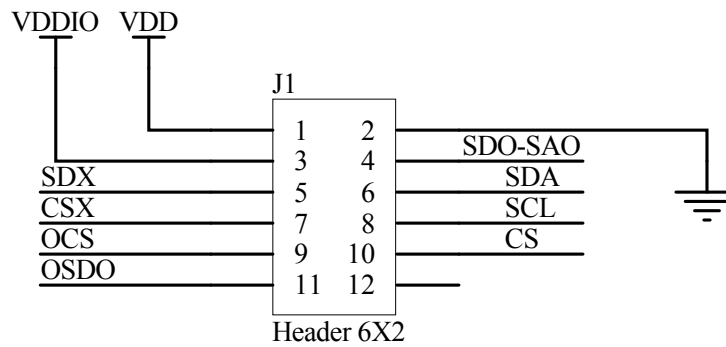
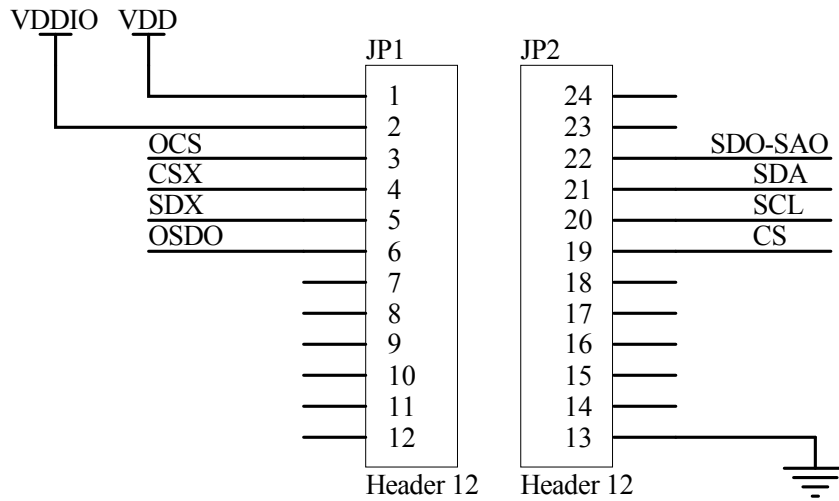


Figure 2. STEVAL-MKIGIBV3 circuit schematic



Revision history

Table 1. Document revision history

| Date | Version | Changes |
|-------------|---------|------------------|
| 10-Dec-2019 | 1 | Initial release. |

IMPORTANT NOTICE – PLEASE READ CAREFULLY

STMicroelectronics NV and its subsidiaries (“ST”) reserve the right to make changes, corrections, enhancements, modifications, and improvements to ST products and/or to this document at any time without notice. Purchasers should obtain the latest relevant information on ST products before placing orders. ST products are sold pursuant to ST’s terms and conditions of sale in place at the time of order acknowledgement.

Purchasers are solely responsible for the choice, selection, and use of ST products and ST assumes no liability for application assistance or the design of Purchasers’ products.

No license, express or implied, to any intellectual property right is granted by ST herein.

Resale of ST products with provisions different from the information set forth herein shall void any warranty granted by ST for such product.

ST and the ST logo are trademarks of ST. For additional information about ST trademarks, please refer to www.st.com/trademarks. All other product or service names are the property of their respective owners.

Information in this document supersedes and replaces information previously supplied in any prior versions of this document.

© 2019 STMicroelectronics – All rights reserved