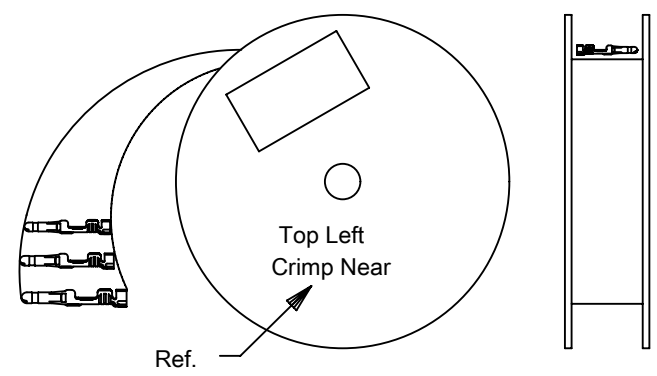
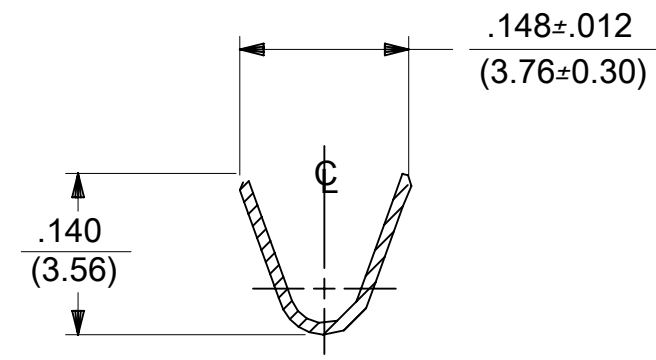
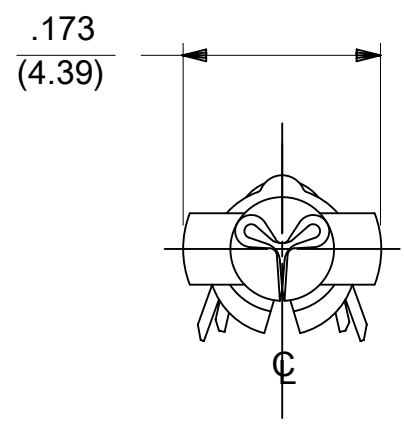


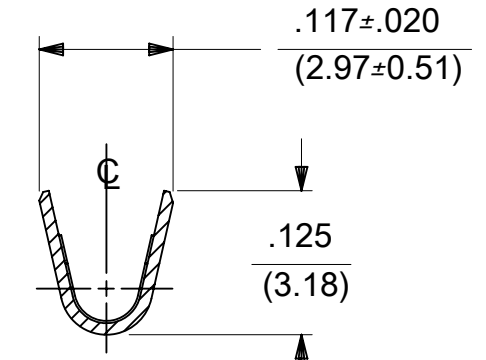
PART NO.	ENG. NO.
02-09-2118	1380-(P901)L
02-09-2116	1380-(P901)
02-09-6123	1380-(550)L
02-09-6122	1380-(550)
02-09-2119	1380-A(P901)L



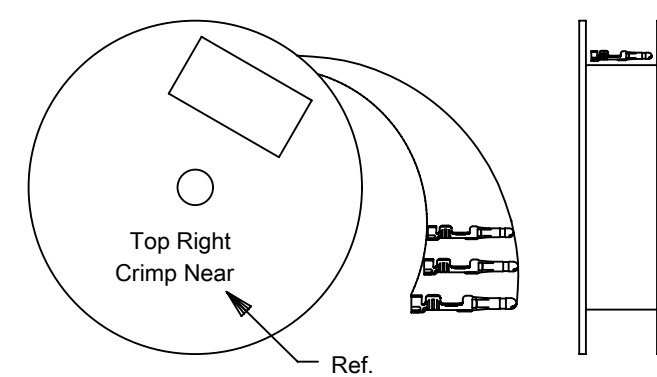
REWOUND CHAIN



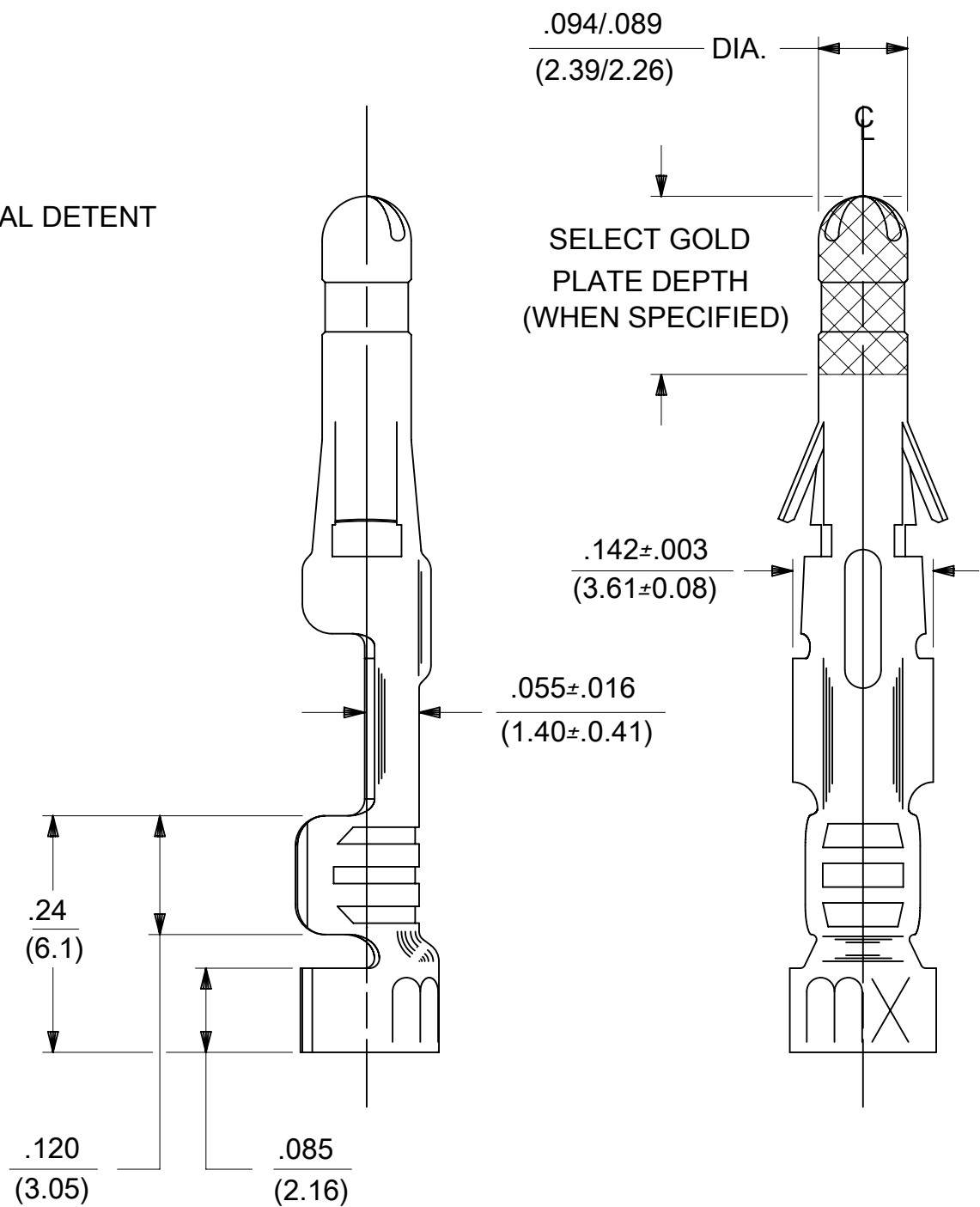
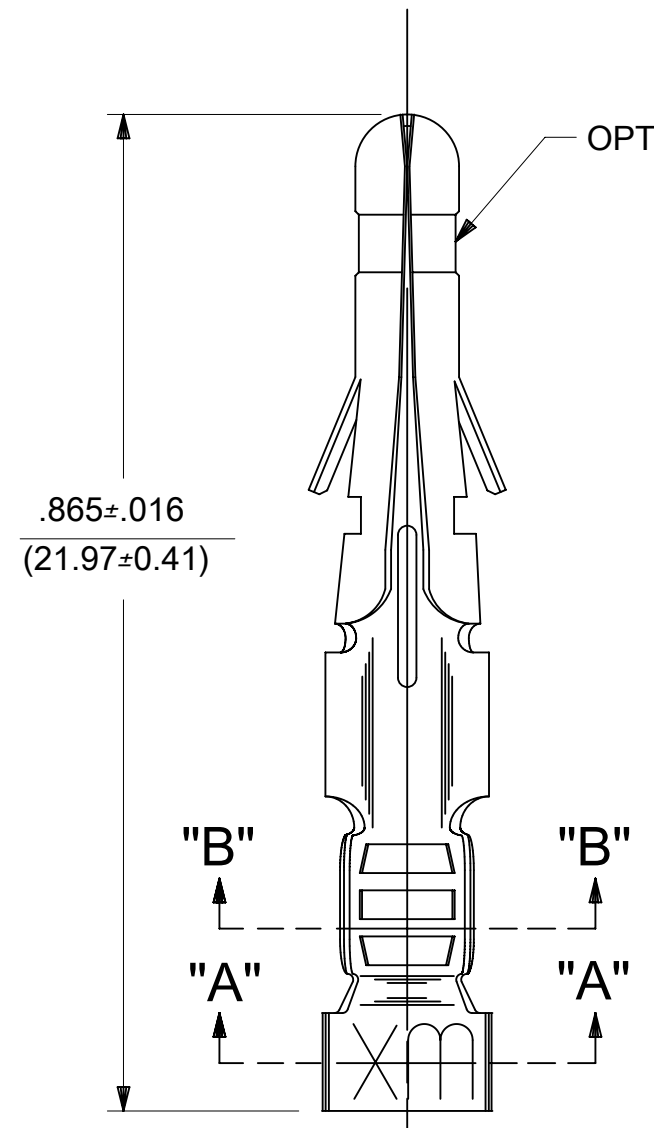
SECT. "A-A"



SECT. "B-B"



STANDARD CHAIN



LEGEND

1380-*(****)*

OPTIONAL DETENT
BLANK = WITH DETENT
A = WITHOUT DETENT

FORM
BLANK = STD. CHAIN
A = REWOUND CHAIN
L = LOOSE
1 = STD. CHAIN WITH INTERLEAF PAPER

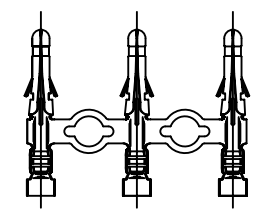
P = PREPLATE
BLANK = POSTPLATE

FINISH CODE
(SEE NOTE 2)

NOTES:

- MATERIAL: BRASS
- FINISH:
 - 999 UNPLATED
 - 901 HOT TIN DIP .000020/(0.00051) MIN.
 - 591 SELECT GOLD PLATE .000050/(0.00127) MIN. IN CONTACT AREA, OVER .000050/(0.00127) MIN. NICKEL OVERALL WITH .000010/(0.00025) MAX. GOLD FLASH OVERALL.
 - 550 SELECT GOLD PLATE .000015/(0.00038) MIN. IN CONTACT AREA, OVER .000030/(0.00076) MIN. NICKEL OVERALL WITH .000010/(0.00025) MAX. GOLD FLASH OVERALL.
- PRODUCT SPECIFICATION: PS-02-09.
- PACKAGING INFORMATION: NOT AVAILABLE
- TERMINAL FOR USE WITH .093/(2.36) SERIES HOUSINGS AND WILL ACCEPT 18 THRU 22 AWG
- INSERTION FORCE: 3.5 LBS. MAX. WHEN TERMINAL IS INSERTED INTO AN .093 SERIES HOUSING.
- TERMINAL RETENTION: 20 LBS. MIN. FROM HOUSING.

CHAIN FORM
FULL SCALE



THIS DRAWING CONTAINS INFORMATION THAT IS PROPRIETARY TO MOLEX ELECTRONIC TECHNOLOGIES, LLC AND SHOULD NOT BE USED WITHOUT WRITTEN PERMISSION									
DIMENSION UNITS IN/MM		SCALE 6:1		CURRENT REV DESC: OBSOLETE PART NUMBER					
GENERAL TOLERANCES (UNLESS SPECIFIED)				EC NO: 637127		2020/05/07		molex	
4 PLACES ±		±		DRWN: AKUMAR19		2020/05/15			
3 PLACES ±		± 0.01		CHK'D: GGA		2020/05/15		CRIMP TERMINAL .093 DIA., MALE FOR 18 THRU 22 AWG. WIRE	
2 PLACES ±		± 0.25 ± 0.14		APPR: GGA		2020/05/15		PRODUCT CUSTOMER DRAWING	
1 PLACE ±		± 0.35 ±		INITIAL REVISION:				DOCUMENT NUMBER	
0 PLACES ±		±		DRWN: GEP		1987/11/06		SD-1380-X	
ANGULAR TOL ± 0.5 °				APPR: RAS		1987/11/06		DOC TYPE DOC PART REVISION	
DRAFT WHERE APPLICABLE MUST REMAIN WITHIN DIMENSIONS				THIRD ANGLE PROJECTION		DRAWING C-SIZE		SERIES 1380	
DOCUMENT STATUS		P1		RELEASE DATE		2020/05/15 16:30:06		MATERIAL NUMBER SEE TABLE	
								CUSTOMER GENERAL MARKET	
								SHEET NUMBER 1 OF 1	