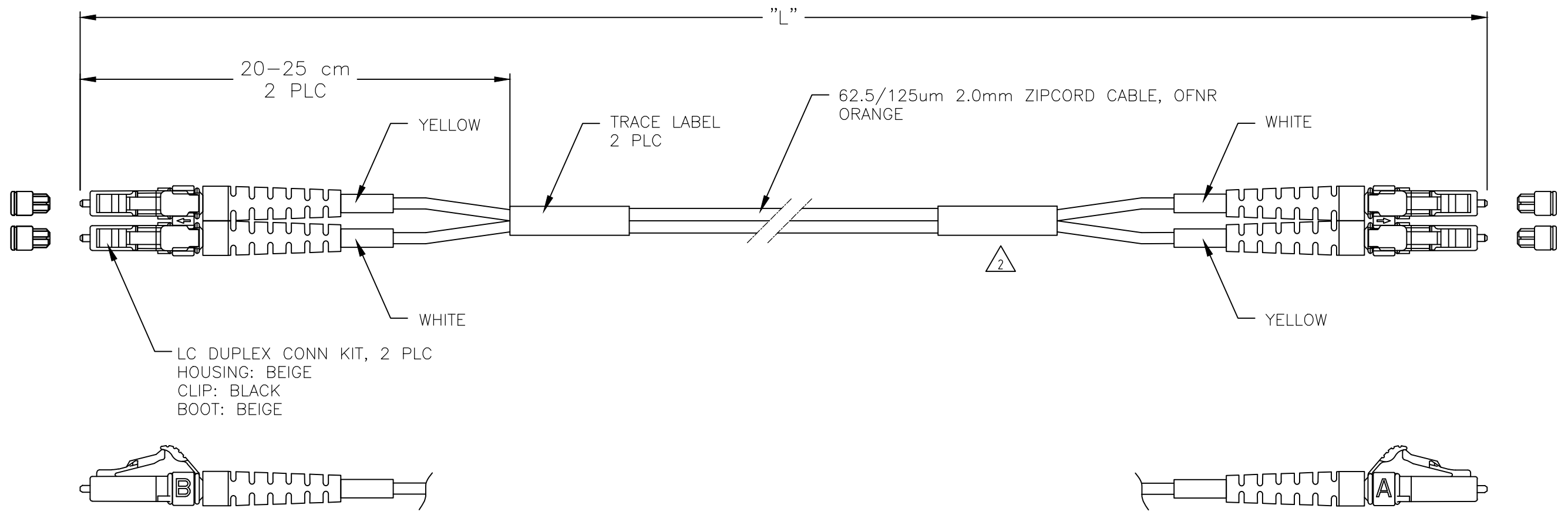


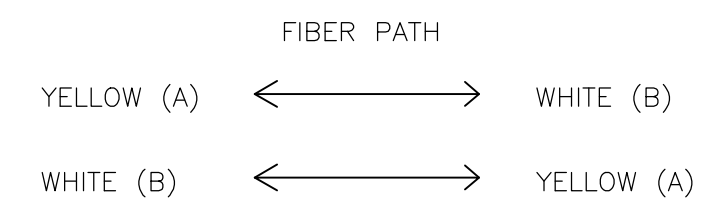
THIS DRAWING IS UNPUBLISHED. RELEASED FOR PUBLICATION
 © COPYRIGHT - By - ALL RIGHTS RESERVED.

LOC	DIST	REVISIONS					
HG	-	P	LTR	DESCRIPTION	DATE	DWN	APVD
		A		ECR-15-018476	23DEC15	SW	RZ



NOTES:

- 1 INSERTION LOSS ≤ 0.3 dB, MEASURED AT 1300 nm
- 2 SECOND TRACE LABEL WILL NOT BE PRESENT ON ANY CABLE ASSEMBLY THAT IS LESS THAN 1 METER IN LENGTH.



PART NUMBER	"L" (METER)	* THE TOLERANCES OF STANDARD LENGTH REFER TO CUSTOMER DRAWING 1206850
X-2064865-Y	XY,0	
2064865-3	3.0	

THIS DRAWING IS A CONTROLLED DOCUMENT.		DWN	SIMON WU	11APR12	STE TE Connectivity		
DIMENSIONS: METERS		CHK	PHILIP LIU	11APR12			
TOLERANCES UNLESS OTHERWISE SPECIFIED:		APVD	RICHARD ZHAO	11APR12	NAME		
0 PLC ± -		PRODUCT SPEC		FOMM62.5 LEAD 2.0TZ LC/DPX - LC/DPX, OFNR			
1 PLC ± -		APPLICATION SPEC		SIZE			
2 PLC ± -		WEIGHT		CAGE CODE			
3 PLC ± -		CUSTOMER DRAWING		DRAWING NO			
4 PLC ± -		SCALE		RESTRICTED TO			
ANGLES ± -		CUSTOMER DRAWING		A3 00779			
FINISH		SCALE		SHEET			
-		CUSTOMER DRAWING		1 OF 1			
-		SCALE		REV			
-		CUSTOMER DRAWING		A			