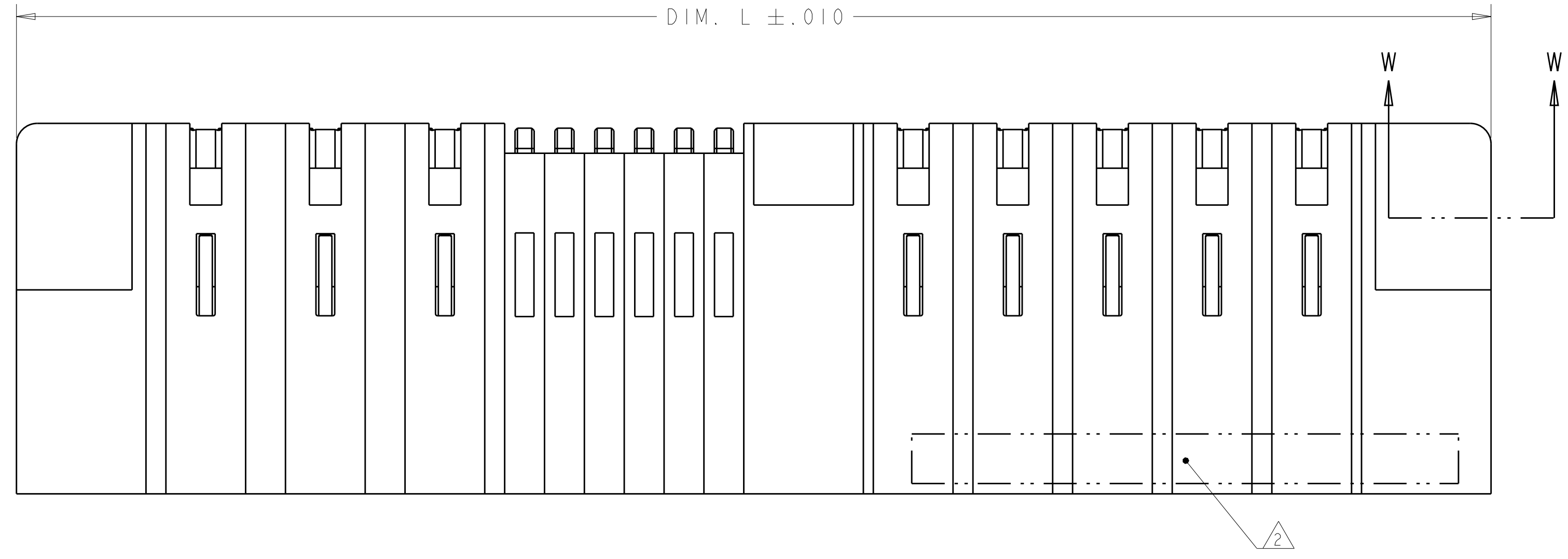
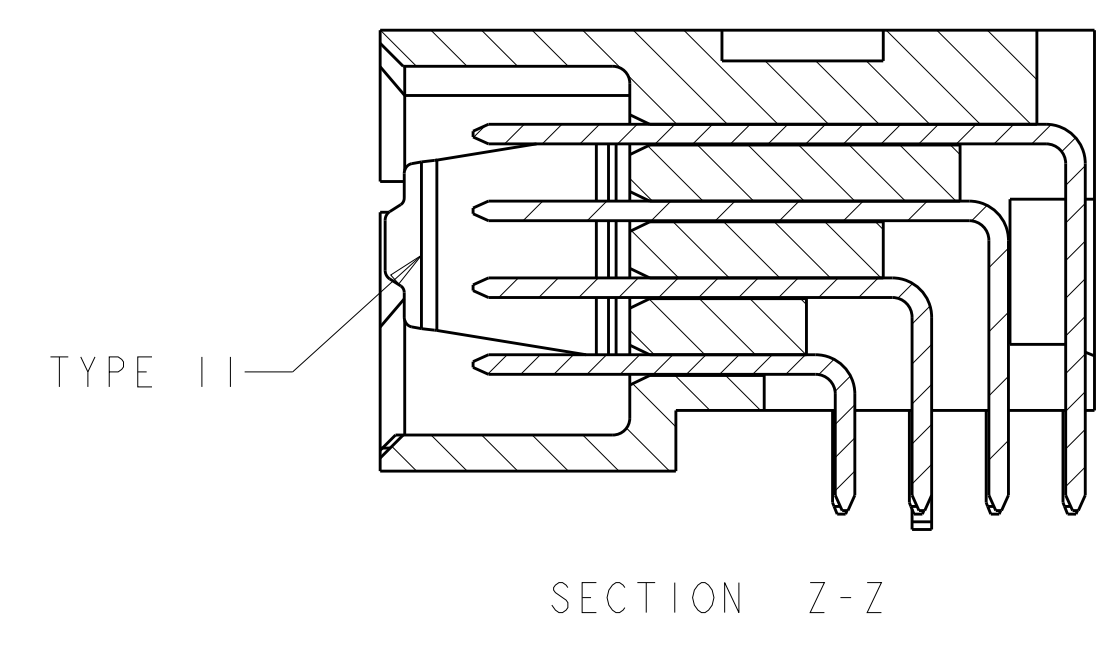
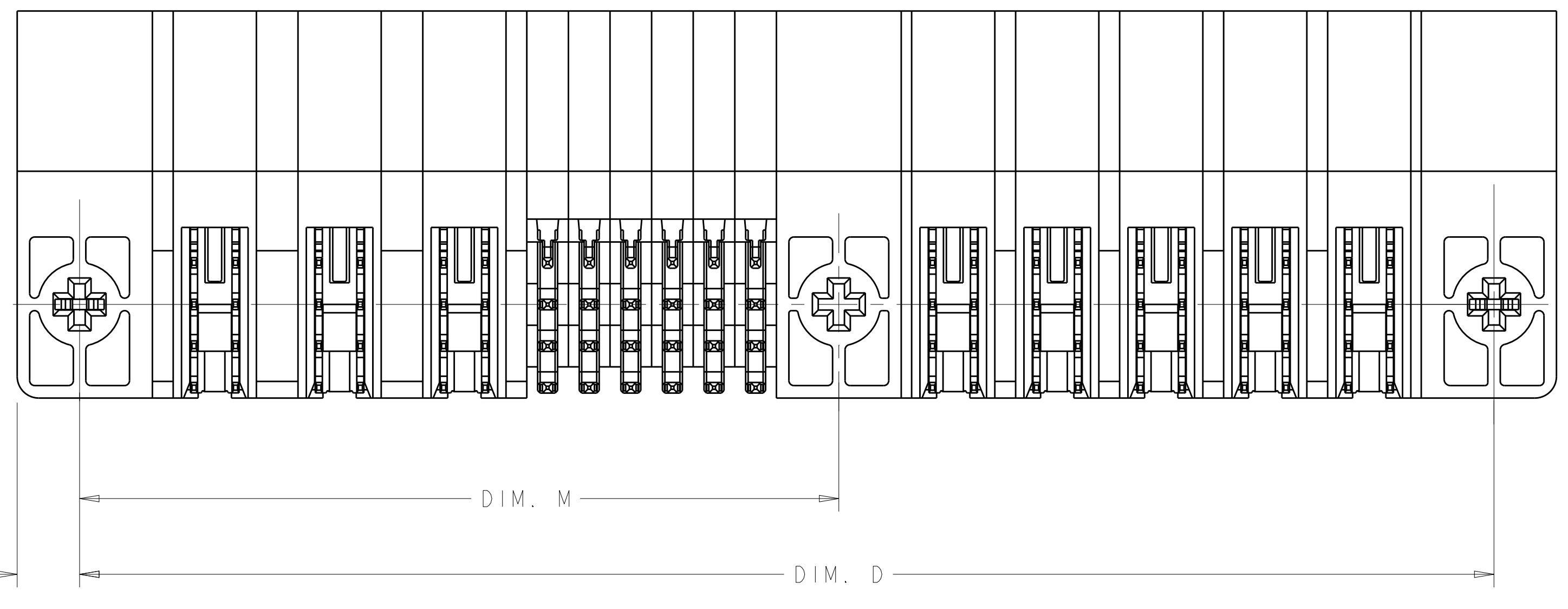
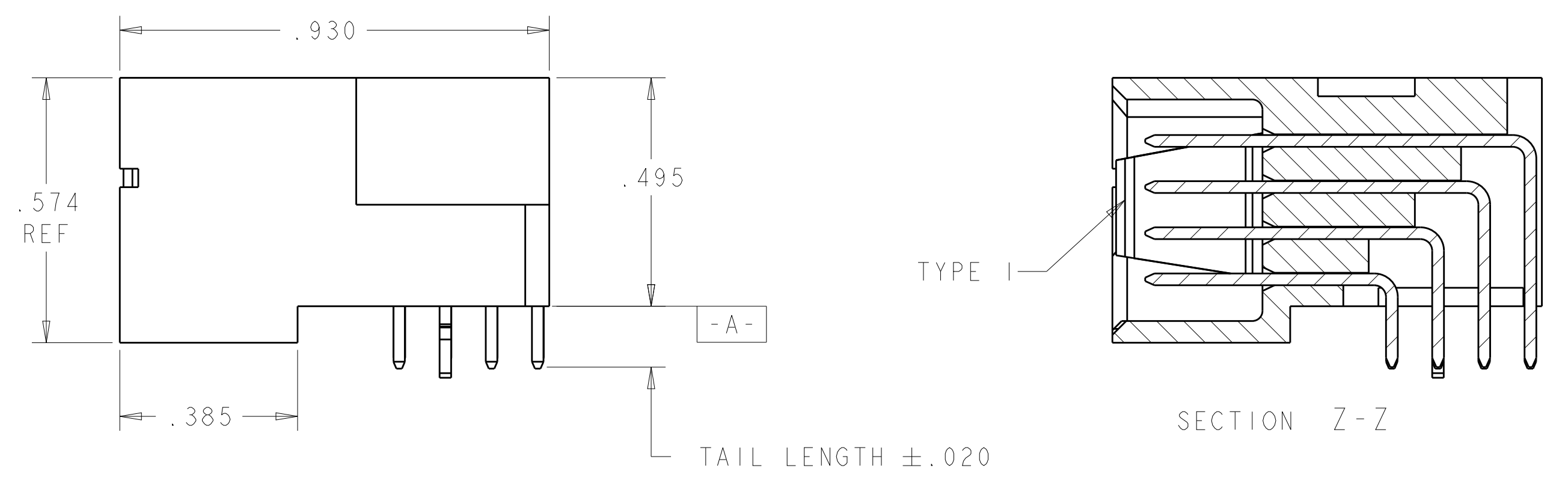
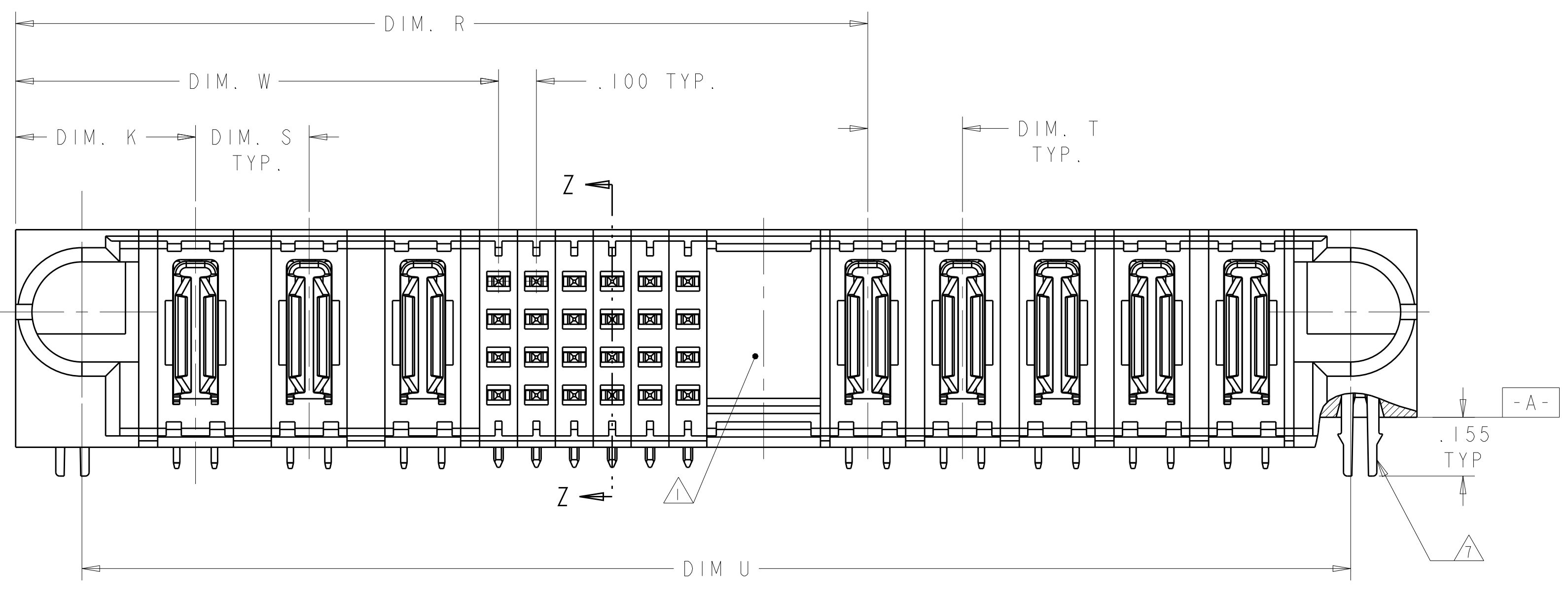


REVISIONS					
P.	LTN	DESCRIPTION	DATE	DMN	APVD
F1		ADD NEW DASH NUMBER 2-4	05JAN2014	CZ	SZ
F2		ADD NEW DASH NUMBER 2-5	05MAR2015	CZ	SZ
F3		ADD NEW DASH NUMBER 2-6	24MAR2015	CZ	SZ
F4		ADD NEW DASH NUMBER 2-7	20DEC2017	CZ	SZ



- △ OPTIONAL CENTER MODULE WITH Ø.150 THRU HOLE OR HOLD DOWN FEATURE.
- △ "AMP", PART NUMBER, AND DATE CODE TO BE MARKED IN AREA SHOWN. PARTS UNDER 2.00 LONG MAY BE MARKED ON BOTH SIDES.
- △ MATERIAL: HOUSING - GLASS FILLED HIGH TEMP THERMO PLASTIC, UL94 V-0
 SIGNAL CONTACT - COPPER ALLOY
 POWER CONTACT - HIGH CONDUCTIVITY COPPER ALLOY
- △ CONTACT PLATING: NOBLE METAL PLATING ON CONTACT FUNCTIONAL AREA
- △ MECHANICAL CONNECTOR KEEP OUT ZONE.
- △ DATUM AND BASIC DIMENSIONS ESTABLISHED BY CUSTOMER.
- △ HOLD DOWN SEATING DEPTH DIMENSION FOR 1450130-4 IS .185 TYP
- △ PCB - ALL HOLE DIAMETERS ARE FINISHED HOLE SIZES.
- △ PCB - .0453 +/- .0010 DRILLED HOLES PLATES WITH .0003 MIN Sn OVER .001 TO .003 Cu PLATING TO ACHIEVE A .040±.003 DIA HOLE.
- △ VARIABLE DIMENSIONS SHOWN ON VIEW (SHEET 4).




THIS DRAWING IS A CONTROLLED DOCUMENT.		DMN R. GRZYBOWSKI CHK M. PERCZERKE	OTIMAROS	TE Connectivity
DIMENSIONS: INCHES		TOLERANCES UNLESS OTHERWISE SPECIFIED:		
0 PLC ±. 1 PLC ±.01 2 PLC ±.01 3 PLC ±.005 4 PLC ±.0020 ANGLES ±.2°		APVD M. PERCZERKE PRODUCT SPEC 108-1973 APPLICATION SPEC 114-13038 WEIGHT -		NAME RIGHT ANGLE HEADER ASSEMBLY DUAL BEAM POWER CONTACT MULTI-BEAM XL
MATERIAL 3		FINISH 4		SIZE A1 CAGE CODE C=6600130 CUSTOMER DRAWING SCALE 4:1 SHEET 1 OF 13 REV F5

THIS DRAWING IS UNPUBLISHED. RELEASED FOR PUBLICATION 20
 © COPYRIGHT 20 BY - ALL RIGHTS RESERVED.

REVISIONS				
P.	LTN	DESCRIPTION	DATE	APVD
-	-	SEE SHEET 1	-	-

PWR CON TYPE	DIM U	DIM S	DIM T	DIM R	DIM W	DIM D	DIM M	DIM L	DIM K	DESCRIPTION	PART NUMBER
I	2.850	.300	.200	2.125	1.825	2.900	-	3.200	.450	7HDP + 8S + 3ACP	2-6600130-7
I	1.900	.300	.250	1.550	1.275	1.950	-	2.250	.475	3ACP + 8S + 2P	2-6600130-6
I	1.700	.250	.250	1.350	.875	1.750	-	2.050	.450	2P + 16S + 2P	2-6600130-5
I	1.800	.300	.300	1.375	1.025	1.850	-	2.150	.475	2ACP + 8S + 2ACP	2-6600130-4
I	2.400	.250	.250	1.550	.875	2.450	-	2.750	.450	2P + 24S + 4P	2-6600130-2
I	2.300	.200	.200	1.650	1.225	2.350	-	2.650	.450	4P + 12S + 4P	2-6600130-1
I	2.200	.250	.250	1.350	.875	2.250	-	2.550	.450	2P + 16S + 4P	2-6600130-0
I	2.325	.300	.250	1.975	1.600	2.375	-	2.675	.450	4ACP + 12S + 2P	1-6600130-9
I	2.900	.250	.250	2.050	1.375	2.950	-	3.250	.450	4P + 24S + 4P	1-6600130-8
I	4.400	.250	.250	2.800	2.125	4.450	-	4.750	.450	7P + 24S + 7P	1-6600130-7
I	5.400	.250	.250	3.300	2.625	5.450	-	5.750	.450	9P + 24S + 9P	1-6600130-6
I	2.200	.250	.250	1.350	.875	2.250	-	2.550	.450	2P + 16S + 4P	1-6600130-5
I	2.500	.250	.250	2.150	1.425	2.550	-	2.850	.450	4P + 24S + 2P	1-6600130-4
I	2.800	Δ	.250	2.450	1.975	2.850	-	3.150	.450	6P + 16S + 2P	1-6600130-3
II	3.200	.200	.200	2.125	1.575	3.250	-	3.550	.425	6P + 20S + 6P	1-6600130-1
I	5.450	Δ	Δ	3.075	2.425	5.500	-	5.800	.425	10P + 24S + 12P	6600130-8
I	3.650	.250	.250	2.550	1.875	3.700	-	4.000	.450	6P + 24S + 5P	6600130-6
I	4.350	.250	.250	3.000	2.125	4.400	-	4.700	.450	7P + 32S + 6P	6600130-5
I	5.100	.250	.250	3.250	2.375	5.150	-	5.450	.450	8P + 32S + 8P	6600130-4
I	7.400	.250	.250	5.050	2.875	7.450	-	7.750	.450	10P + 84S + 10P	6600130-3
I	3.300	.300	.250	1.950	1.275	3.350	-	3.650	.475	3ACP + 24S + 6P	6600130-2
I	3.050	.300	.250	1.950	1.275	3.100	-	3.400	.475	3ACP + 24S + 5P	6600130-1

THIS DRAWING IS A CONTROLLED DOCUMENT.		OWN R. GRZYBOWSKI	OTMAROS		TE Connectivity	
DIMENSIONS: INCHES		CHK M. PERCHERKE	OTMAROS		NAME RIGHT ANGLE HEADER ASSEMBLY DUAL BEAM POWER CONTACT MULTI-BEAM XL	
TOLERANCES UNLESS OTHERWISE SPECIFIED:		APVD M. PERCHERKE	-	PRODUCT SPEC 108-1973		
0 PLC ±. 2 PLC ±.01 3 PLC ±.005 4 PLC ±.0020		APPLICATION SPEC 114-13038		SIZE A1		
ANGLES FINISH		WEIGHT		CAGE CODE 6600130		
MATERIAL		CUSTOMER DRAWING		SCALE 4:1		
				SHEET 2 OF 13		
				REV F5		

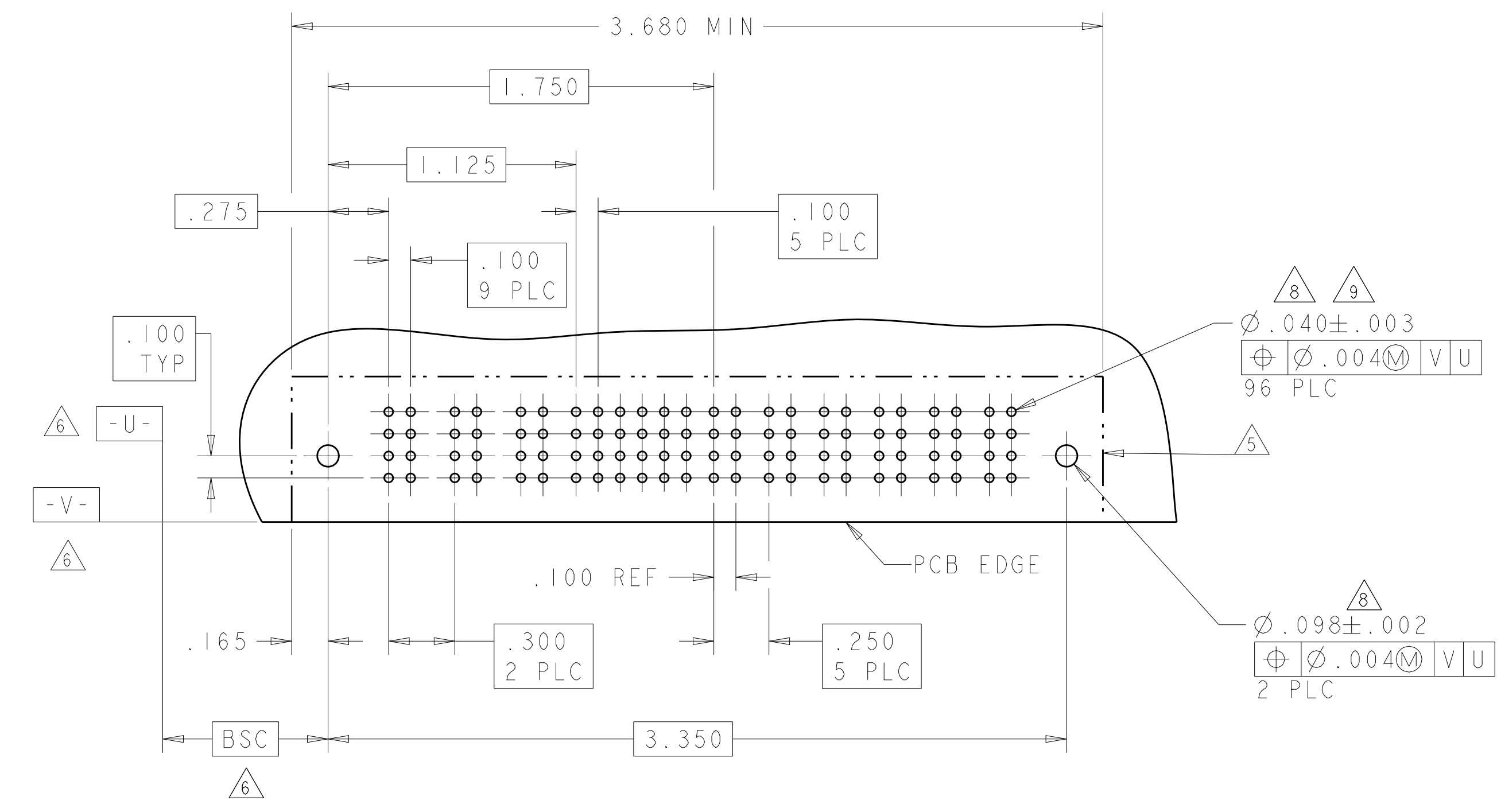
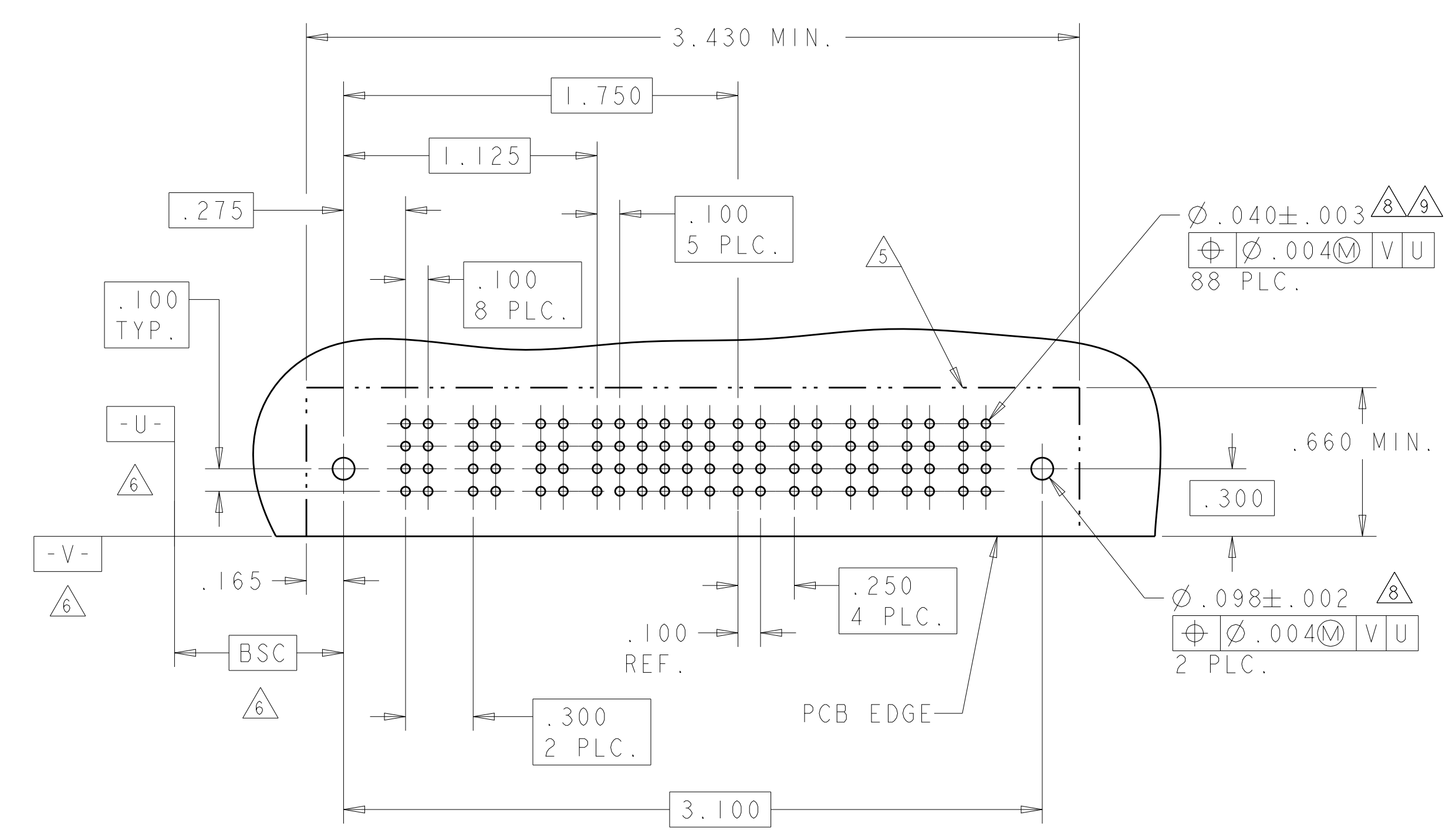
REVISIONS				
P.	LTN	DESCRIPTION	DATE	APVD
-	-	SEE SHEET 1	-	-

PART NUMBER	ROWS	POWER			SIGNAL						POWER				
		P1	P2	P3	1	2	3	4	5	6	P4	P5	P6	P7	P8
6600130-1	D C B A	PS	PS	PS	J	J	J	J	E	J	PS	PS	PS	PS	PS
					K	K	F	K	K	K					
					N	N	N	N	N	G					
					S	S	H	S	S	S					

3ACP + 24S + 5P

PART NUMBER	ROWS	POWER			SIGNAL						POWER					
		P1	P2	P3	1	2	3	4	5	6	P4	P5	P6	P7	P8	P9
6600130-2	D C B A	PS	PS	PS	J	J	J	J	J	J	PS	PS	PS	PS	PS	PS
					K	K	K	K	K	K						
					N	N	N	N	N	N						
					H	S	S	S	S	S						

3ACP + 24S + 6P



FN	MFBL	.135	B
E	MLBF	.135	D
F	MLBF	.135	C
G	MLBF	.135	B
H	MLBF	.135	A
J	STD	.135	D
K	STD	.135	C
N	STD	.135	B
S	STD	.135	A
CODE	MATING SEQUENCE	TAIL LENGTH	ROW

SIGNAL CONTACT

TS	PS	CODE	TAIL LENGTH	DESCRIPTION
.135	.135			DUAL-BEAM(11)
.135	.135			DUAL-BEAM(1)
				POWER CONTACT

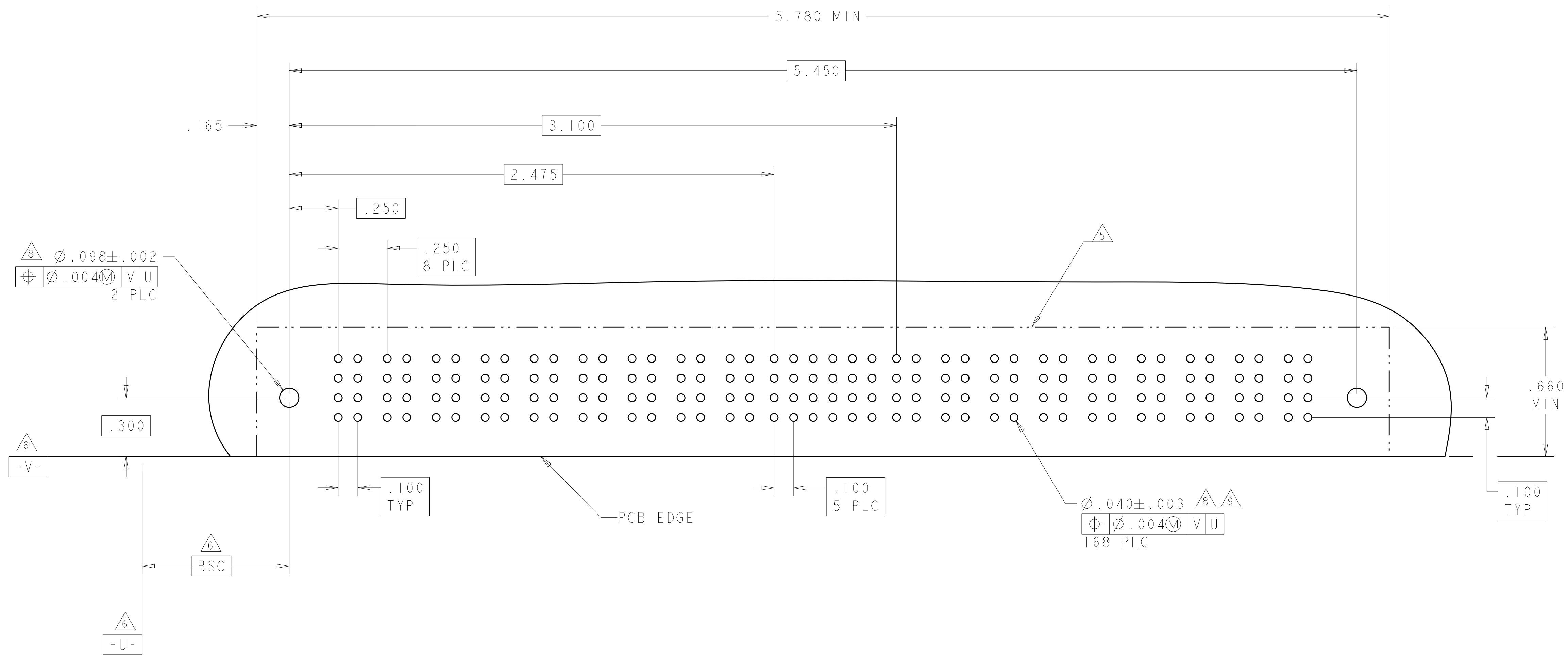
DIMENSIONS:		TOLERANCES UNLESS OTHERWISE SPECIFIED:	
INCHES		0 PLC	±
		1 PLC	±.01
		2 PLC	±.05
		3 PLC	±.005
		4 PLC	±.0020
		ANGLES	±.2°

MATERIAL:		FINISH:	

THIS DRAWING IS A CONTROLLED DOCUMENT.		DWN: B. GRZYBOWSKI		DIMAROS	
CHG: M. PERCHERKE <td colspan="2">DIMAROS <td colspan="2">NAME</td> </td>		DIMAROS <td colspan="2">NAME</td>		NAME	
APVD: M. PERCHERKE <td colspan="2">DIMAROS <td colspan="2">RIGHT ANGLE HEADER ASSEMBLY</td> </td>		DIMAROS <td colspan="2">RIGHT ANGLE HEADER ASSEMBLY</td>		RIGHT ANGLE HEADER ASSEMBLY	
PRODUCT SPEC		108-1973		DUAL BEAM POWER CONTACT	
APPLICATION SPEC		114-13038		MULTI-BEAM XL	
MATERIAL		WEIGHT		RESTRICTED TO	
FINISH		SCALE		SHEET 3 OF 13	
CUSTOMER DRAWING		SCALE 4:1		REV F5	

REVISIONS				
P.	LTN.	DESCRIPTION	DATE	APVD.
-	-	SEE SHEET 1	-	-

PART NUMBER	ROWS	POWER									SIGNAL						POWER								
		P1	P2	P3	P4	P5	P6	P7	P8	P9	1	2	3	4	5	6	P10	P11	P12	P13	P14	P15	P16	P17	P18
I-6600130-6	D	PS	PS	PS	PS	PS	PS	PS	PS	PS	J	J	J	J	J	J	PS	PS	PS	PS	PS	PS	PS	PS	PS
	K										K	K	K	K	K										
	N										N	N	N	N	N										
A	HD	S	S	S	S	S	S	S	S	S	S	S	S	S	S	HD									
9P + 24S + 9P																									

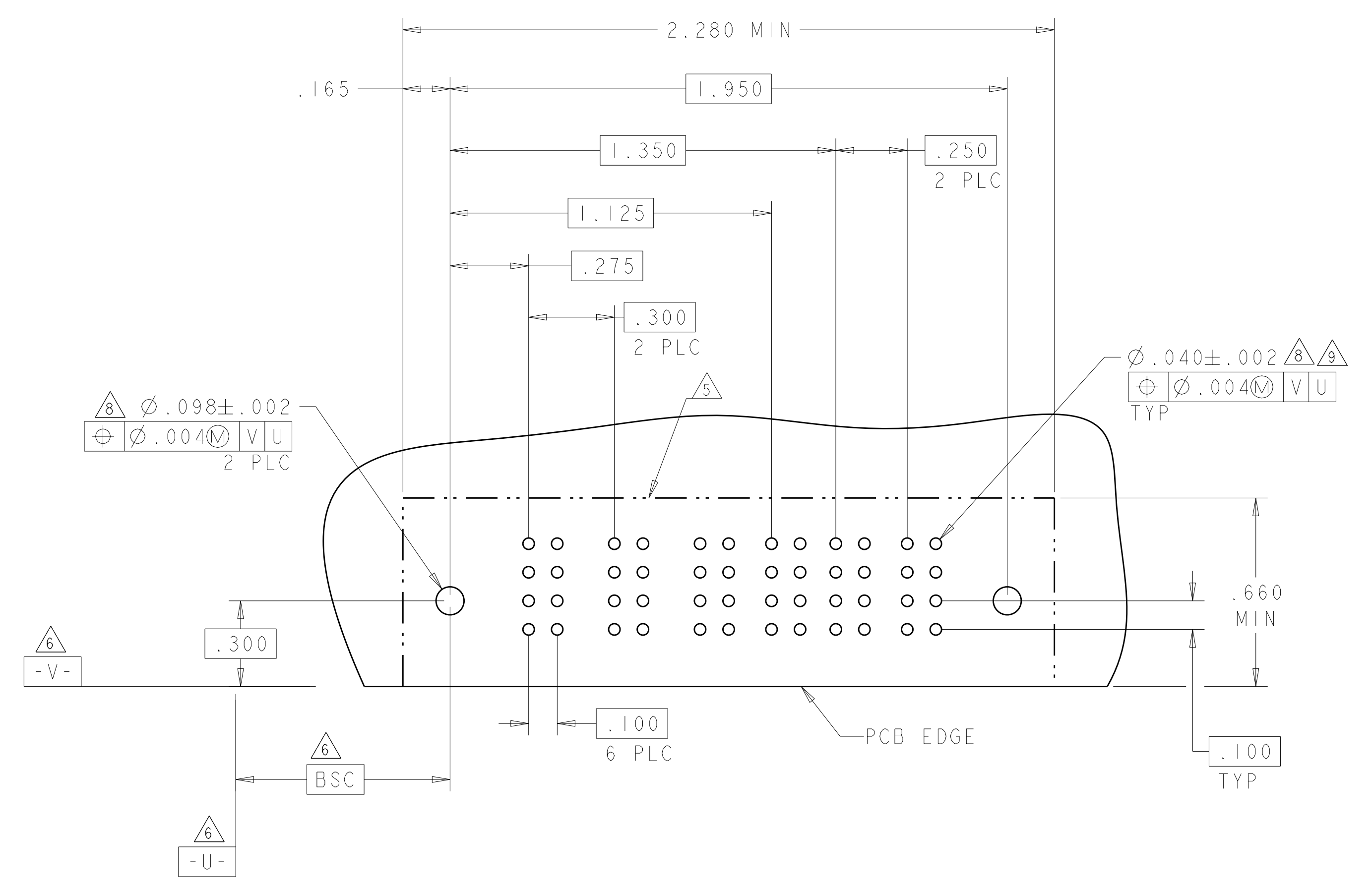
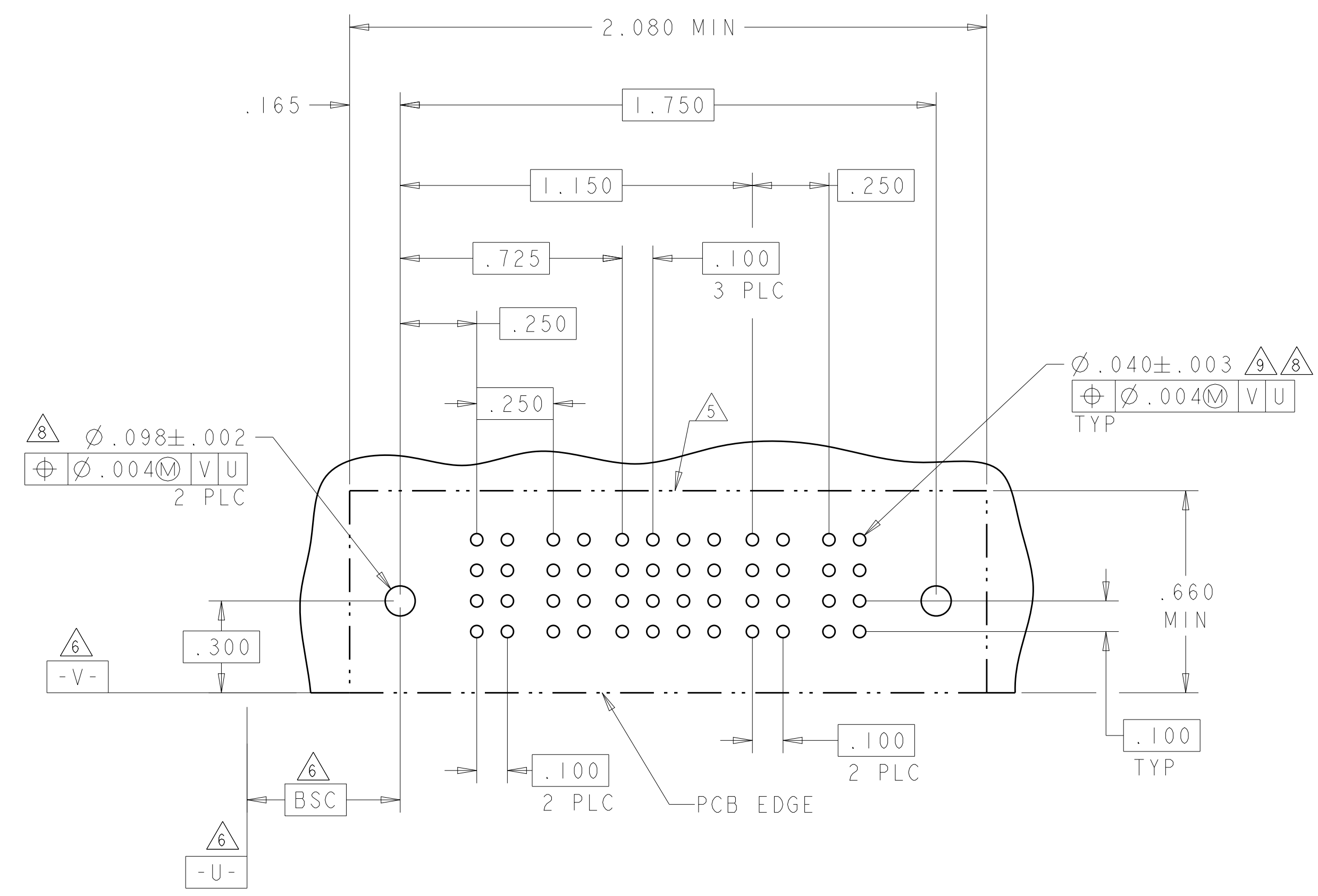


THIS DRAWING IS A CONTROLLED DOCUMENT.		DWN: B. GRZYBOWSKI CHK: M. PERCHERKE APVD: M. PERCHERKE	DIMAROS DIMAROS DIMAROS	TE Connectivity
DIMENSIONS: INCHES	TOLERANCES UNLESS OTHERWISE SPECIFIED: 0 PLC ± 1 PLC ±.01 2 PLC ±.01 3 PLC ±.005 4 PLC ±.0020 ANGLES ±.2°	NAME: RIGHT ANGLE HEADER ASSEMBLY DUAL BEAM POWER CONTACT MULTI-BEAM XL	PRODUCT SPEC: 108-1973 APPLICATION SPEC: 114-13038	
MATERIAL:	FINISH:	WEIGHT:	SIZE: A1 CAGE CODE: C=6600130 CUSTOMER DRAWING	RESTRICTED TO: SCALE: 4:1 SHEET: 8 OF 13 REV: F5

REVISIONS				
P.	LTN.	DESCRIPTION	DATE	APVD.
-	-	SEE SHEET 1	-	-

PART NUMBER	ROWS	POWER		SIGNAL				POWER	
		P1	P2	1	2	3	4	P3	P4
2-6600130-5	D	PS	PS	E	J	J	J	PS	PS
	C			K	K	K	K		
	B			N	N	N	N		
	A			S	S	S	S		
2P + 16S + 2P									

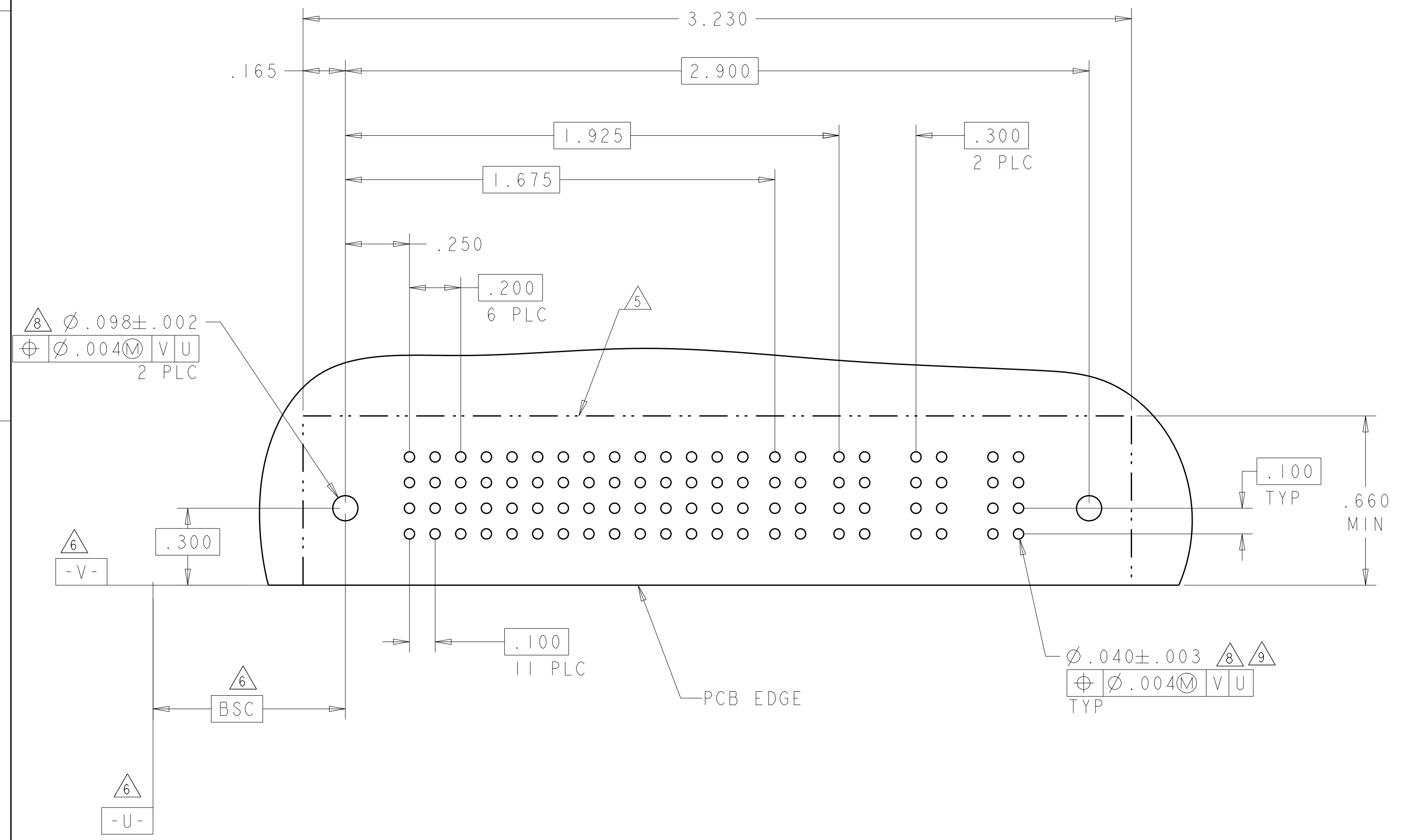
PART NUMBER	ROWS	POWER			SIGNAL		POWER	
		P1	P2	P3	1	2	P4	P5
2-6600130-6	D	PS	PS	PS	J	J	PS	PS
	C				K	K		
	B				N	N		
	A				H	S		
3ACP + 8S + 2P								



THIS DRAWING IS A CONTROLLED DOCUMENT.		DWN: R. GRZYBOWSKI CHK: M. PERCHERKE APVD: M. PERCHERKE	DIMAROS DIMAROS DIMAROS		TE Connectivity
DIMENSIONS: INCHES	TOLERANCES UNLESS OTHERWISE SPECIFIED: 0 PLC ±. 1 PLC ±.01 2 PLC ±.01 3 PLC ±.005 4 PLC ±.0020 ANGLES ±.2°	PRODUCT SPEC 108-1973 APPLICATION SPEC 114-13038	NAME RIGHT ANGLE HEADER ASSEMBLY DUAL BEAM POWER CONTACT MULTI-BEAM XL		SIZE A1
MATERIAL	FINISH	WEIGHT	CUSTOMER DRAWING	SCALE	4:1
			SHEET	12	OF 13
			REV	F5	

REVISIONS				
P.	LTN.	DESCRIPTION	DATE	APVD.
-	-	SEE SHEET 1	-	-

PART NUMBER	ROWS	POWER							SIGNAL		POWER		
		P1	P2	P3	P4	P5	P6	P7	1	2	P8	P9	P10
2-6600130-7	D	PS	PS	PS	PS	PS	PS	PS	E	E	PS	PS	PS
	C								F	F			
	B								G	G			
	A								H	H			
7HDP + 8S + 3ACP		HD									HD		



THIS DRAWING IS A CONTROLLED DOCUMENT.		DWN: B. GRZYBOWSKI CHK: M. PERCHERKE APVD: M. PERCHERKE	OTMAROS OTMAROS	STE TE Connectivity
DIMENSIONS: INCHES	TOLERANCES UNLESS OTHERWISE SPECIFIED:	NAME: RIGHT ANGLE HEADER ASSEMBLY PRODUCT SPEC: 108-1973 APPLICATION SPEC: 114-13038		
	0 PLC ± 1 PLC ±.01 2 PLC ±.01 3 PLC ±.005 4 PLC ±.0020 ANGLES ±2°	SIZE: A1 CAGE CODE: C=6600130		RESTRICTED TO: -
MATERIAL: -	FINISH: -	WEIGHT: -		SCALE: 4:1 SHEET 13 OF 13 REV: F5
CUSTOMER DRAWING				