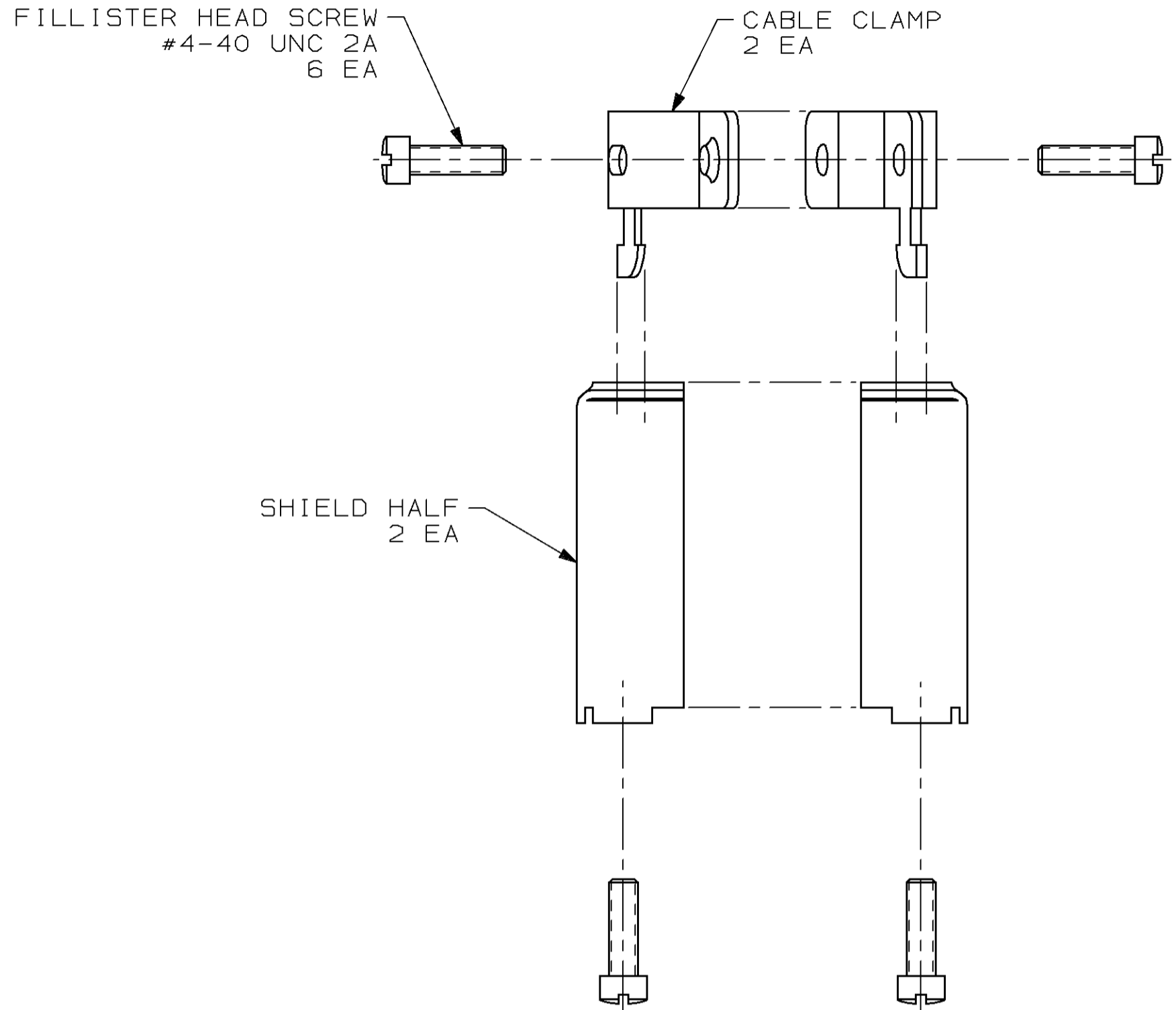
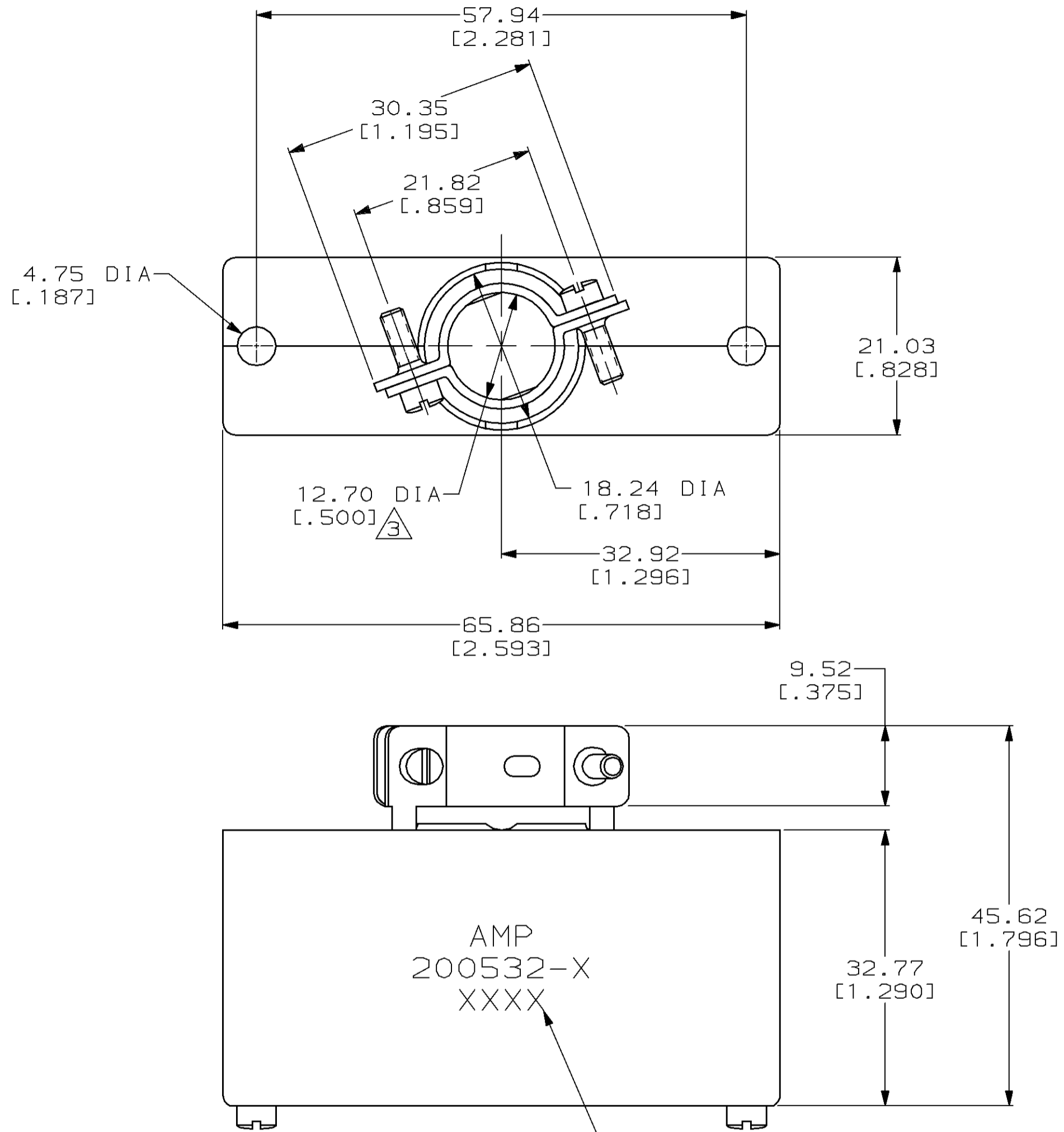


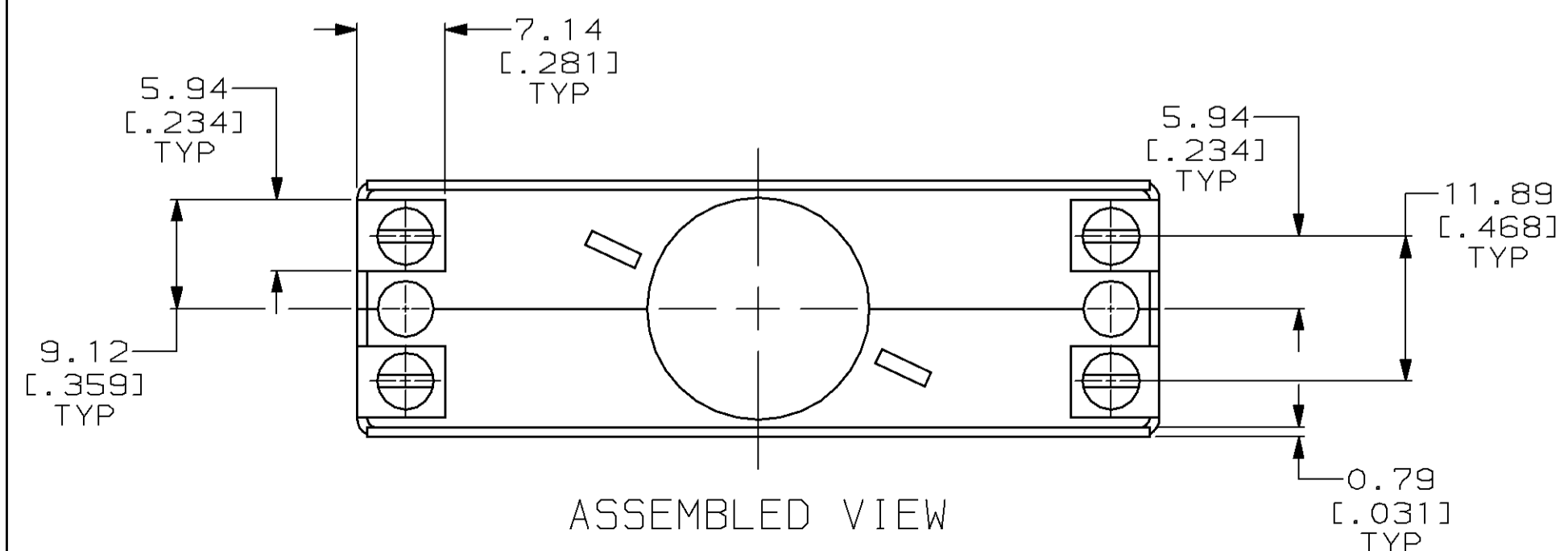
THIS DRAWING IS UNPUBLISHED. RELEASED FOR PUBLICATION  
 BY AMP INCORPORATED. ALL RIGHTS RESERVED.

LOC		DIST		REVISIONS			
P	LTR	DESCRIPTION	DATE	DWN	APVD		
BD	36	Y	REDRAWN PER EC 0020-929-95	25 SEP 95	-	-	



- ① SHIELD HALF: SEE TABLE.  
CABLE CLAMP & SCREWS: CARBON STEEL.
- ② SHIELD HALF: SEE TABLE.  
CABLE CLAMP: 5.08µm [0.00200] MIN NICKEL.  
SCREWS: ZINC PLATED.
- ③ DIAMETER WILL ACCEPT 50 WIRES OF .065 MAX OD.

5.08µm [0.00200] MIN NICKEL	CARBON STEEL	200532-2
CLEAR ANODIZE	ALUMINUM	200532-1
SHIELD FINISH	SHIELD MATERIAL	PART NUMBER



THIS DRAWING IS A CONTROLLED DOCUMENT FOR AMP INCORPORATED. IT IS SUBJECT TO CHANGE AND THE CONTROLLING ENGINEERING ORGANIZATION SHOULD BE CONTACTED FOR THE LATEST REVISION.		DWN C. REIFSNYDER 25 SEP 95	AMP Incorporated Harrisburg, PA 17105-3608
DIMENSIONS: mm [INCHES]		CHK R. STONE 15 SEP 95	
TOLERANCES UNLESS OTHERWISE SPECIFIED:		APVD G. STEINHAUER 03 OCT 95	NAME
0 PLC ±-		PRODUCT SPEC	SHIELD KIT, UNASSEMBLED, 50 PLACE, M SERIES
1 PLC ±-		APPLICATION SPEC	
2 PLC ±0.38 [0.015]			SIZE
3 PLC ±-			CAGE CODE
4 PLC ±-			DRAWING NO
ANGLES ±-			A2 00779 C-200532
FINISH ③		WEIGHT	SCALE
			2:1 SHEET 1 OF 1 REV Y
CUSTOMER DRAWING			

200532