

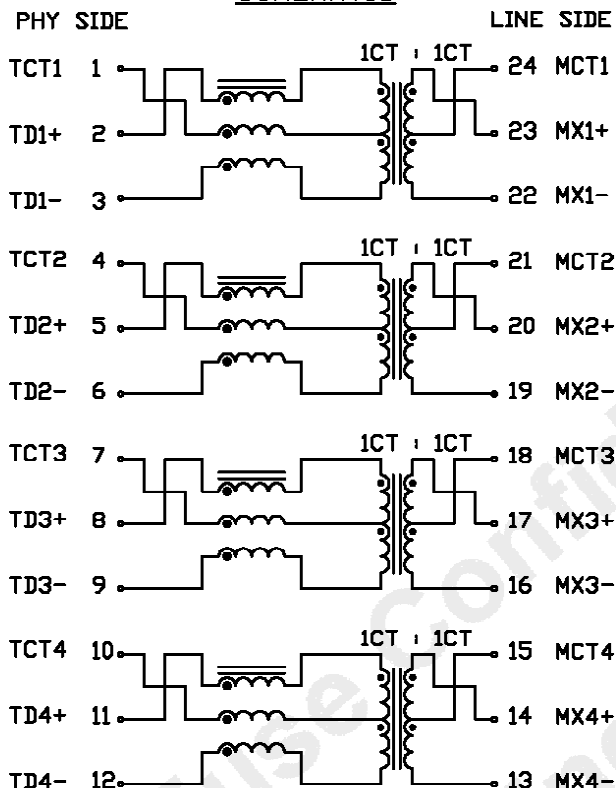
THE INFORMATION CONTAINED HEREIN IS CONSIDERED "PROPRIETARY" TO BEL FUSE INC. AND SHALL NOT BE COPIED, REPRODUCED OR DISCLOSED WITHOUT THE WRITTEN APPROVAL OF BEL FUSE INC.

ELECTRICAL CHARACTERISTICS @25°C

RoHS



SCHEMATIC



TURNS RATIO

(2-1-3) : (23-24-22)
 (5-4-6) : (20-21-19)
 (8-7-9) : (17-18-16)
 (11-10-12) : (14-15-13)

1CT : 1CT ±2%
 1CT : 1CT ±2%
 1CT : 1CT ±2%
 1CT : 1CT ±2%

POLARITY

□CL

PER DOT CONVENTION

100kHz, 100mV
 350uH MIN WITH 11mA DC BIAS
 120uH MIN WITH 19mA DC BIAS

INTERWINDING CAPACITANCE, C_{ww}

@1MHz, 20mV
 30pF MAX

INSERTION LOSS

0.3MHz - 1MHz
 1MHz - 65MHz
 65MHz - 100MHz
 100MHz - 125MHz

1.1dB MAX
 0.8dB MAX
 1.0dB MAX
 1.2dB MAX

RETURN LOSS @100Ω

0.5MHz - 40MHz
 40MHz - 100MHz

18dB MIN
 12-20LOG(f/80MHz)dB MIN

CROSSTALK

0.3MHz - 100MHz

33-20LOG(f/100MHz)dB MIN

CM TO CM REJ

0.3MHz - 100MHz

30dB MIN

CM TO DM REJ

0.3MHz - 100MHz

35dB MIN

BALANCED DC LINE CURRENT

720mA MAX @57VDC CONTINUOUS
 1.2A MAX @57VDC FOR 200ms

HIPOT

1500 V_{rms}

DESIGNED FOR USE IN EXTENDED TEMPERATURE APPLICATIONS

DC RESISTANCE

(2-3), (5-6), (8-9), (11-12) 1.00 Ω MAX
 (1-3), (4-6), (7-9), (10-12) 0.75 Ω MAX
 (23-22), (20-19), (17-16), (14-13) 0.50 Ω MAX
 (24-22), (21-19), (18-16), (15-13) 0.30 Ω MAX

REV. : A PAGE : 2

ORIGINATED BY Alice Pang	DATE 2017-03-02	TITLE ELECTRICAL SPECIFICATION	PART NO. / DRAWING NO. S558-5500-76	STANDARD DIM. TOL. IN INCH	[] METRIC DIM. AS REF.	
DRAWN BY ZC Guo	DATE 2017-03-02		FILE NAME S558550076A.DWG	.X .XX .XXX	UNIT : INCH [mm] SCALE : N/A	SIZE : A4

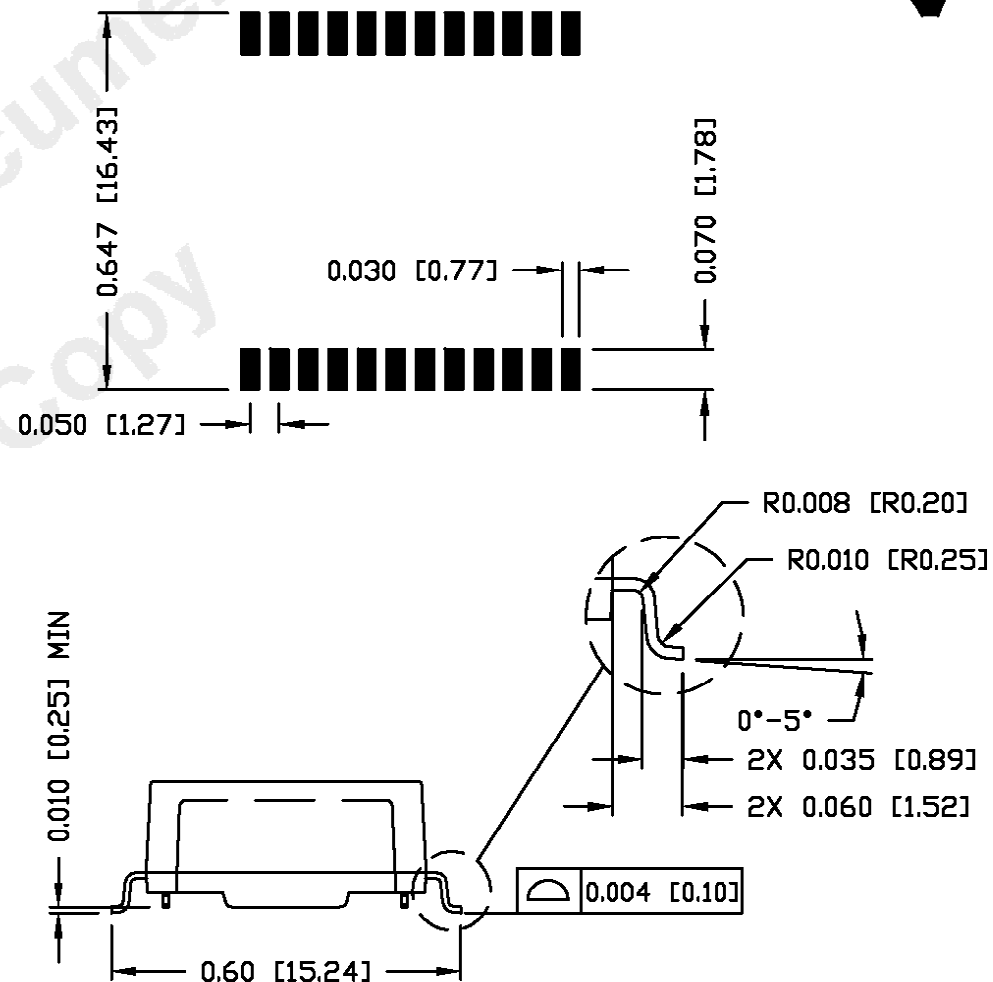
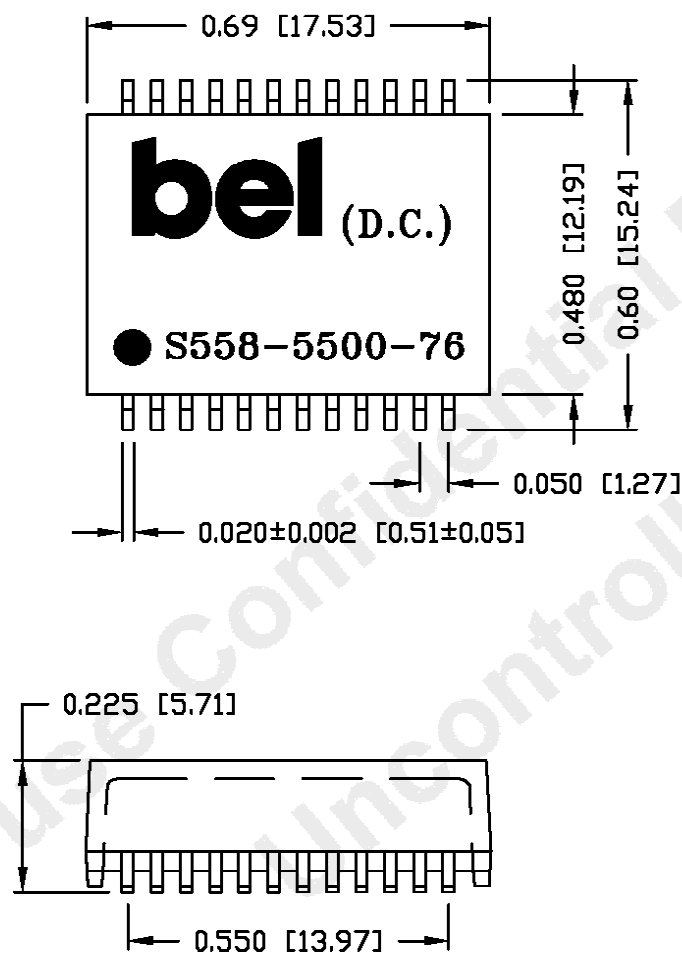


THE INFORMATION CONTAINED HEREIN IS CONSIDERED "PROPRIETARY" TO BEL FUSE INC. AND SHALL NOT BE COPIED, REPRODUCED OR DISCLOSED WITHOUT THE WRITTEN APPROVAL OF BEL FUSE INC.

RoHS



SUGGESTED PCB PAD LAYOUT



NOTES:

1. STANDARD MARKING REFER TO DOC. HAND-WORK-04.
2. PACKAGE CODE: 'RQS001'.

ORIGINATED BY	DATE	TITLE	PART NO. / DRAWING NO.	STANDARD DIM.	[] METRIC DIM. AS REF.	 POWER PROTECT CONNECT
Lawrence Tsang	2017-03-02	MECHANICAL OUTLINE	S558-5500-76	TOL. IN INCH	UNIT : INCH [mm]	
DRAWN BY	DATE		FILE NAME	.X	SCALE : N/A	
ZC Guo	2017-03-02		S558550076A.DWG	.XX ±0.01	SIZE : A4	
				.XXX ±0.005		

REV. : A PAGE : 3