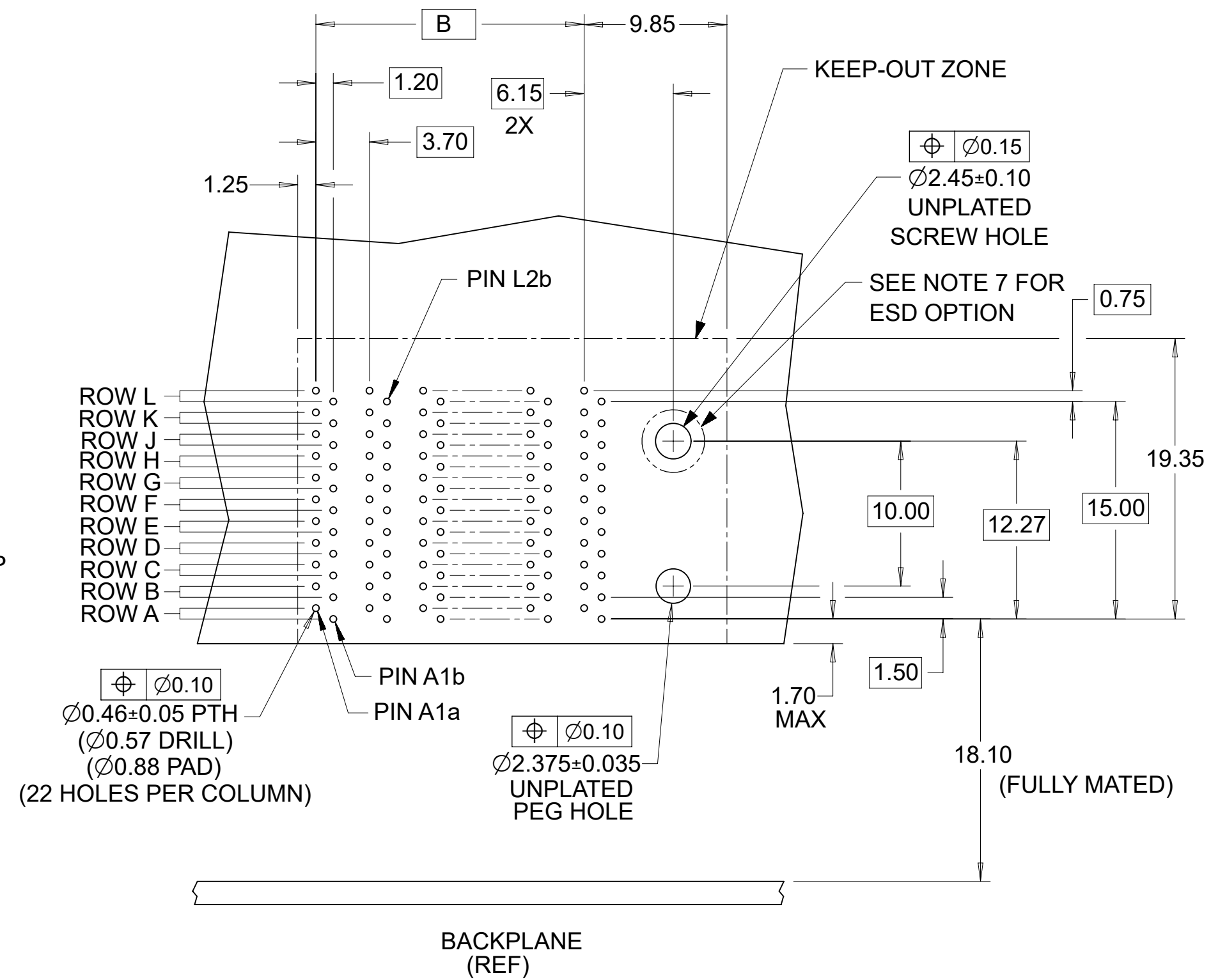
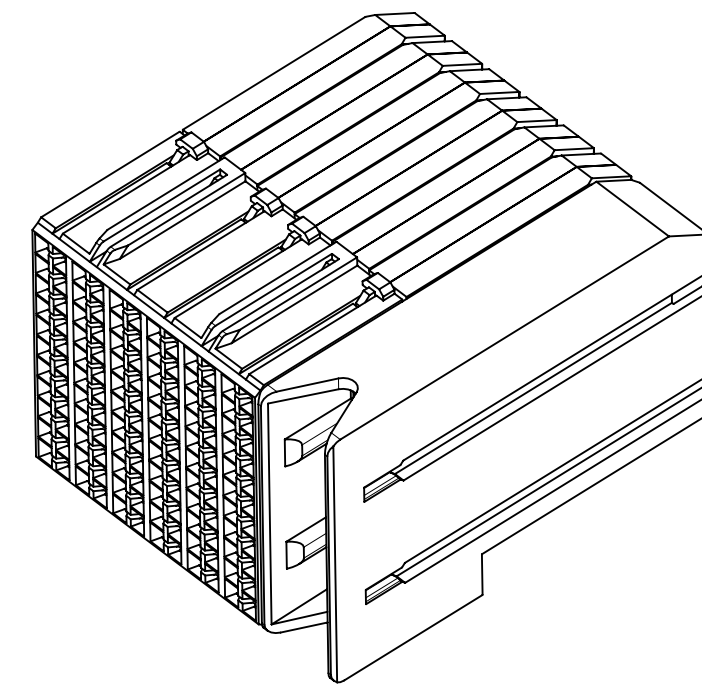
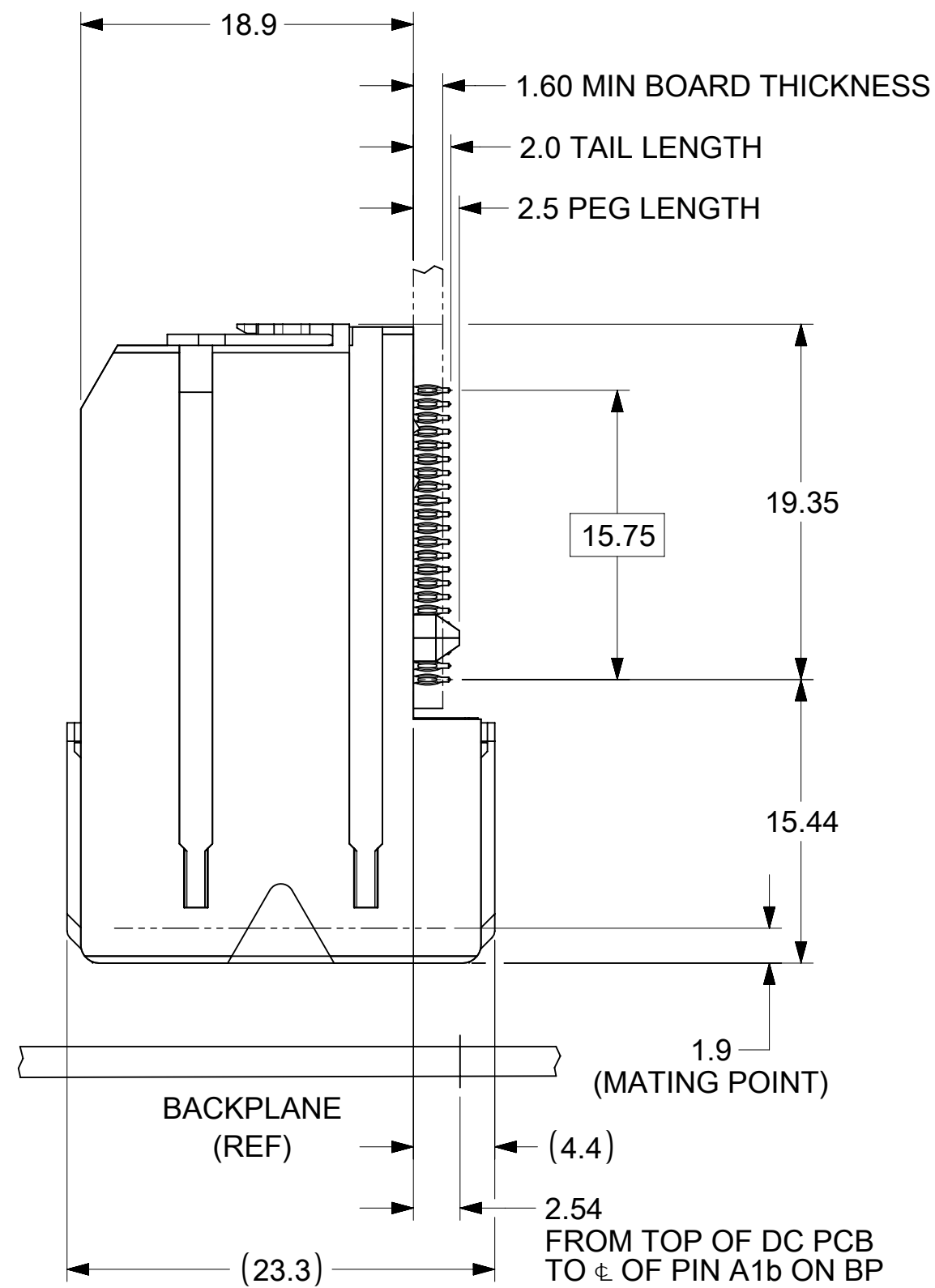


KEY SHOWN IN POSITION "B"



NOTES:

1. MATERIALS: HOUSING - LIQUID CRYSTAL POLYMER (LCP) GLASS-FILLED, UL94V-0  
TERMINALS - HIGH PERFORMANCE COPPER ALLOY
2. FINISH: SELECTIVE GOLD IN CONTACT AREA.  
SELECTIVE MATTE TIN ON PCB TAILS. NICKEL OVERALL
3. REFER TO MOLEX PRODUCT SPECIFICATION PS-75710-999 FOR PERFORMANCE SPECS.
4. PRODUCT IS PACKAGED PER PK-70873-609.
5. THIS PART CONFORMS TO CLASS B REQUIREMENTS OF COSMETIC SPEC PS-45499-002.
6. GUIDED PARTS TO BE SHIPPED WITH 2-32 TYPE AB  
SELF-TAPPING SCREW P/N 73726-0000.
7. FOR GROUNDED GUIDE MODULES USE DIA 2.45+/-0.10 (PTH), DIA 2.58 (DRILL).  
AND DIA 4.50 (PAD)
8. MAPS (MOLEX ADVANCED PLATING SYSTEM)

THIS DRAWING CONTAINS INFORMATION THAT IS PROPRIETARY TO MOLEX ELECTRONIC TECHNOLOGIES, LLC AND SHOULD NOT BE USED WITHOUT WRITTEN PERMISSION

DIMENSION UNITS	SCALE	CURRENT REV DESC: REMASTERED TO NX	molex		
mm	NTS		I-TRAC DAUGHTERCARD 11 ROW SIGNAL MODULE GUIDE RIGHT SALES DWG		
GENERAL TOLERANCES (UNLESS SPECIFIED)		EC NO: 671119	PRODUCT CUSTOMER DRAWING		
ANGULAR TOL	± 0.5°	DRWN: YOGEEB 2021/06/28	DOCUMENT NUMBER		
4 PLACES	±	CHK'D: VINODM3 2022/01/31	SD-75710-004		
3 PLACES	±	APPR: CWANG25 2022/02/18	DOC TYPE	DOC PART	REVISION
2 PLACES	± 0.13	INITIAL REVISION:	PSD	001	E1
1 PLACE	± 0.25	DRWN: MCARRANZA 2006/06/19	MATERIAL NUMBER		
0 PLACES	±	APPR: JLAURX 2006/06/21	CUSTOMER		
DRAFT WHERE APPLICABLE MUST REMAIN WITHIN DIMENSIONS		THIRD ANGLE PROJECTION	SHEET NUMBER		
		DRAWING	GENERAL MARKET		1 OF 2
		SCALE	75710		
		SERIES	C-SIZE		

# 75710- \* \* \* \*

MODULE TYPE -- TAIL PLATING TYPE

GUIDE RIGHT -- MATTE TIN (FORMERLY TIN/LEAD) = 4

GUIDE RIGHT -- MATTE TIN = 5

POLARIZATION KEY ORIENTATION

0 = NO KEY

1 = A 5 = E

2 = B 6 = F

3 = C 7 = G

4 = D 8 = H

# OF COLUMNS/PLATING

05 = 5 COL 30 GOLD

06 = 6 COL 30 GOLD

08 = 8 COL 30 GOLD

10 = 10 COL 30 GOLD

55 = 5 COL W/ESD 30 GOLD

56 = 6 COL W/ESD 30 GOLD

58 = 8 COL W/ESD 30 GOLD

50 = 10 COL W/ESD 30 GOLD

25 = 5 COL 10 GOLD (MAPS)

26 = 6 COL 10 GOLD (MAPS)

28 = 8 COL 10 GOLD (MAPS)

20 = 10 COL 10 GOLD (MAPS)


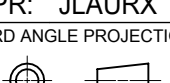
65 = 5 COL W/ESD 10 GOLD (MAPS)

66 = 6 COL W/ESD 10 GOLD (MAPS)

68 = 8 COL W/ESD 10 GOLD (MAPS)

60 = 10 COL W/ESD 10 GOLD (MAPS)

MATERIAL NUMBER	# OF COLUMNS	DIM "A" MAX	DIM "B"
75710-***5	5	25.90	14.80
75710-***6	6	29.60	18.50
75710-***8	8	37.00	25.90
75710-***0	10	44.40	33.30

THIS DRAWING CONTAINS INFORMATION THAT IS PROPRIETARY TO MOLEX ELECTRONIC TECHNOLOGIES, LLC AND SHOULD NOT BE USED WITHOUT WRITTEN PERMISSION									
DIMENSION UNITS	SCALE	CURRENT REV DESC: REMASTERED TO NX							
mm	NTS								
GENERAL TOLERANCES (UNLESS SPECIFIED)						I-TRAC DAUGHTERCARD 11 ROW SIGNAL MODULE GUIDE RIGHT SALES DWG			
ANGULAR TOL	± 0.5°					PRODUCT CUSTOMER DRAWING			
4 PLACES	±	EC NO: 671119				DOCUMENT NUMBER: <b>SD-75710-004</b> DOC TYPE: PSD   DOC PART: 001   REVISION: E1 MATERIAL NUMBER: SEE TABLE   CUSTOMER: GENERAL MARKET   SHEET NUMBER: 2 OF 2			
3 PLACES	±	DRWN: YOGEEB 2021/06/28							
2 PLACES	±	CHK'D: VINODM3 2022/01/31							
1 PLACE	±	APPR: CWANG25 2022/02/18							
0 PLACES	±	INITIAL REVISION:							
DRAFT WHERE APPLICABLE MUST REMAIN WITHIN DIMENSIONS		THIRD ANGLE PROJECTION		DRAWING	SERIES				
				C-SIZE	75710				

DOCUMENT STATUS	P1	RELEASE DATE	2022/02/18 05:03:59
-----------------	----	--------------	---------------------