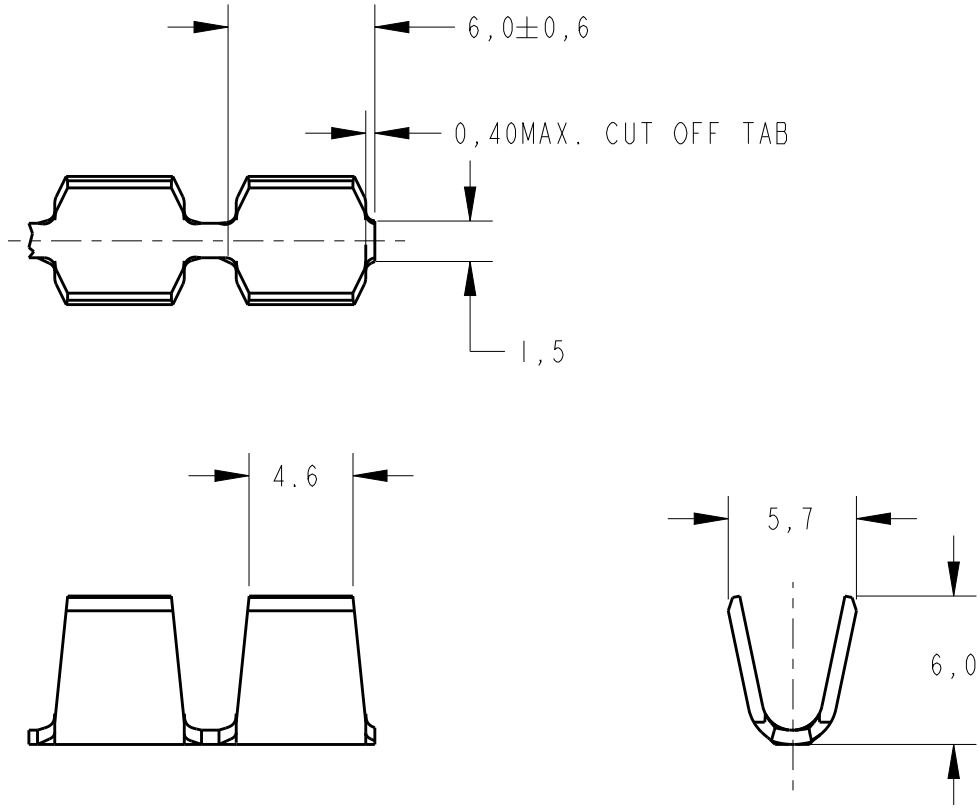


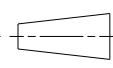


LOC	DIST	REVISIONS			
P	LTR	DESCRIPTION	DATE	DWN	APVD
AP	-				
	B	REDRAW BY ECO-06-013605	09AUG2006	HC	WLS
	BI	REV. BY ECO 17-012248	21AUG2017	HC	WLS



OBSOLETE	TIN PLATED	BRASS	155353-2
	—	BRASS	155353-1
7000/12000CMA	FINISH	MATERIAL	PART NUMBER

DIMENSIONS: mm	DWN H.C.Canteri 09August2006	MATERIAL	FINISH
	CHK W.L.STEFANI 09August2006	-	-
TOLERANCES UNLESS OTHERWISE SPECIFIED:	APVD -	 TE Connectivity	
	PRODUCT SPEC -		
0 PLC ±-	APPLICATION SPEC -	SIZE	RESTRICTED TO
1 PLC ±0,3		A4	-
2 PLC ±-		CAGE CODE	-
3 PLC ±-		DRAWING NO	-
4 PLC ±-		C-155353	-
ANGLES ±-	WEIGHT -		
 	Customer Drawing	SCALE	REV
		5/1	B1

THIS DRAWING IS UNPUBLISHED.
 ALL RIGHTS RESERVED.
 © COPYRIGHT copyright_dBTe -

RELEASED FOR PUBLICATION