

THIS DRAWING IS UNPUBLISHED.

RELEASED FOR PUBLICATION

ALL RIGHTS RESERVED.

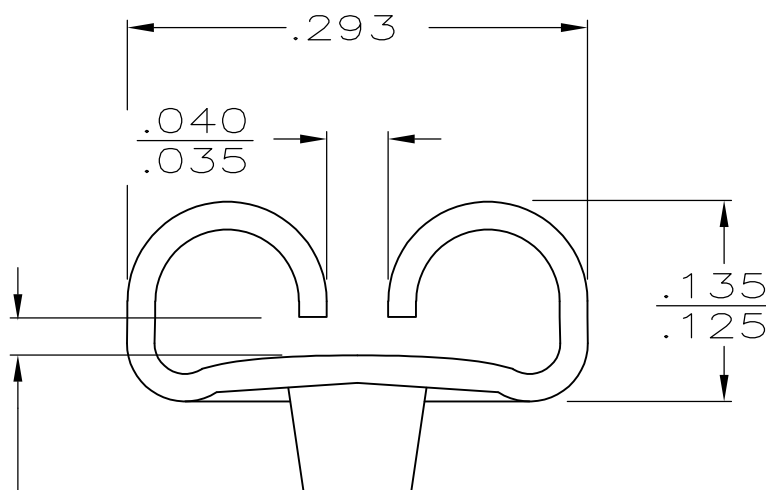
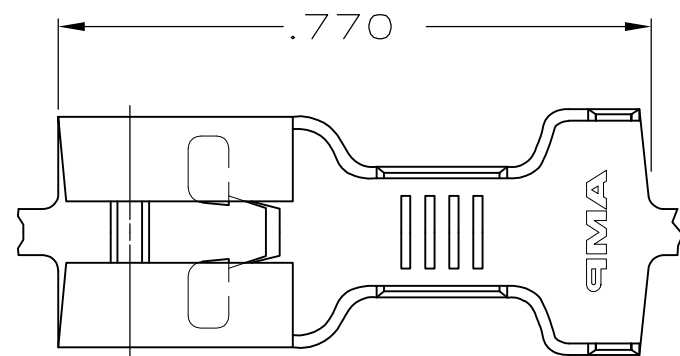
© COPYRIGHT - By -

LOC AF DIST 50

REVISIONS

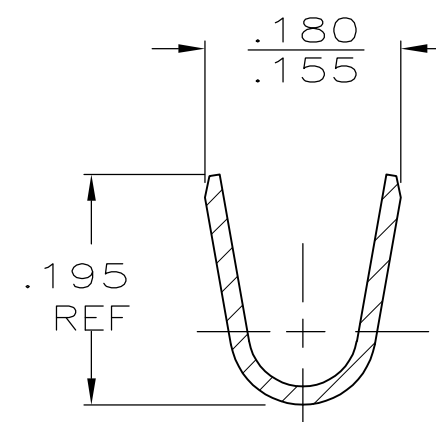
P	LTR	DESCRIPTION	DATE	DWN	APVD
	C	REVISED PER ECR-13-005733	26AUG2013	KH	PD

1 CONTINUOUS STRIP ON REELS.

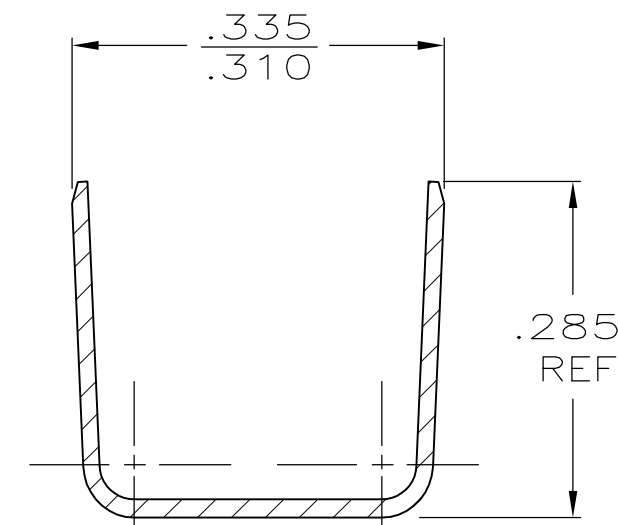


FITS .250 SERIES FASTON TAB

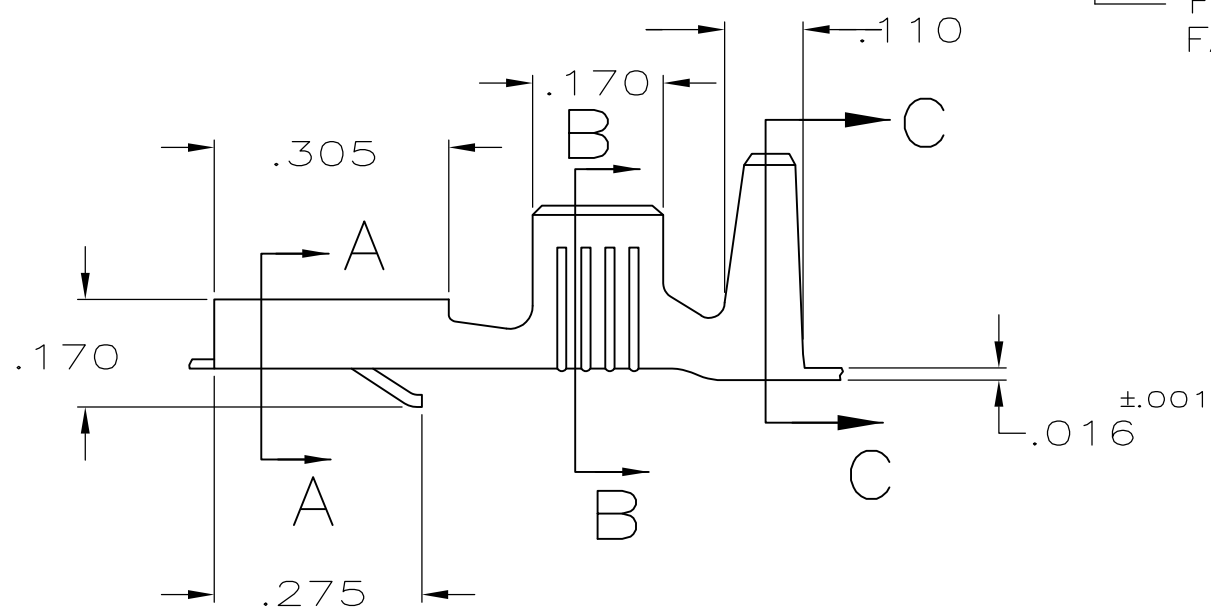
SECTION A-A




SECTION B-B



SECTION C-C



.140 (2) MAX	14-10 OR 2 #14	63467-1
INSULATION RANGE	WIRE SIZE	PART NO.

THIS DRAWING IS A CONTROLLED DOCUMENT.		DWN JR RUTH 5/7/87	 TE Connectivity RECEPTACLE, FASTON-FASTON, .250 SERIES				
DIMENSIONS: INCHES		CHK G YETTER 5/14/87					
TOLERANCES UNLESS OTHERWISE SPECIFIED:		APVD J GILLESPIE 5/14/87					
0 PLC ± - 1 PLC ± - 2 PLC ± - 3 PLC ± .010 4 PLC ± - ANGLES ± -		NAME					
MATERIAL BRASS		FINISH TIN	PRODUCT SPEC -	SIZE A3	CAGE CODE 00779	DRAWING NO C-63467	RESTRICTED TO -
CUSTOMER DRAWING			SCALE NTS	SHEET 1 OF 1	REV C		