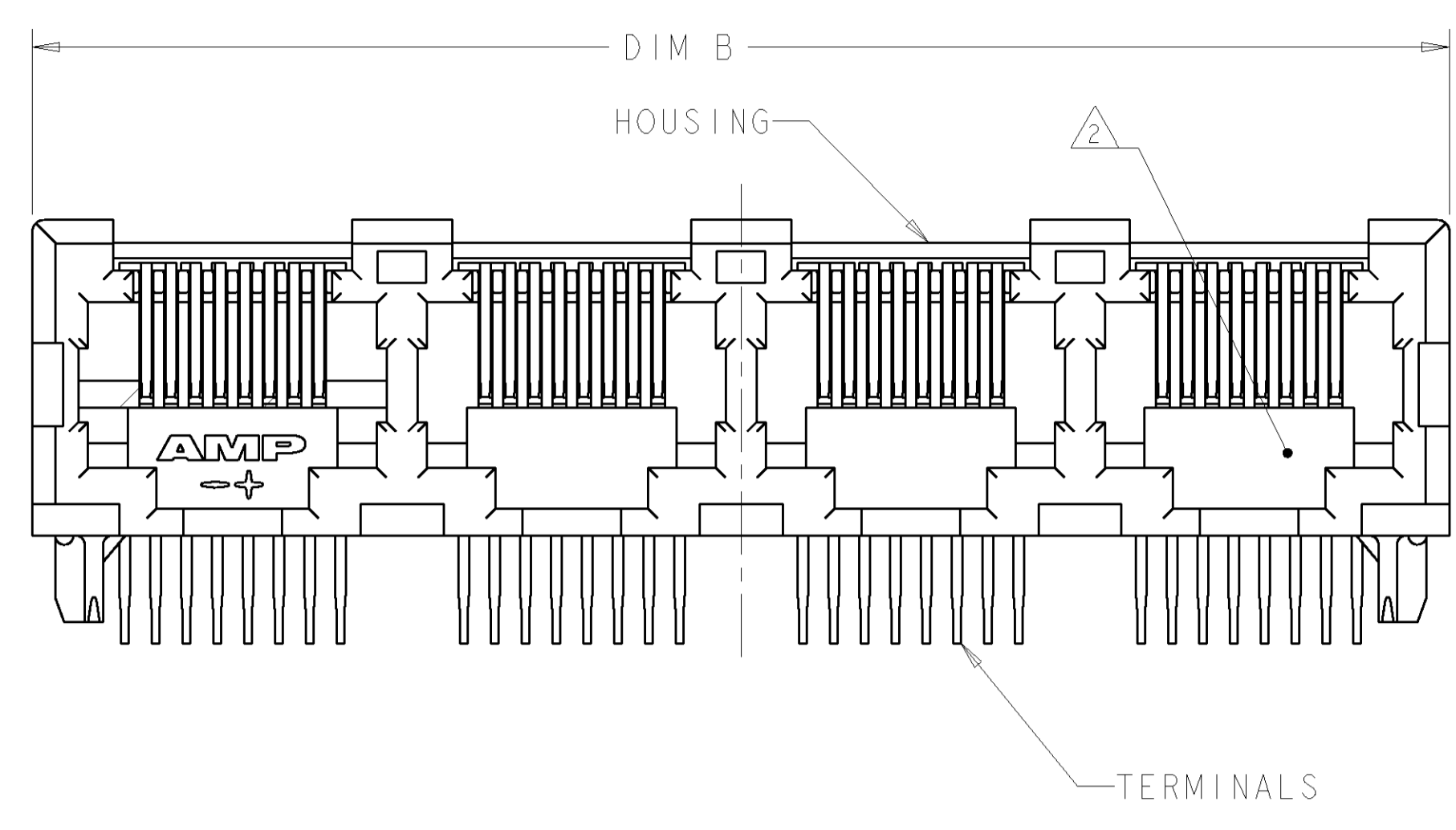
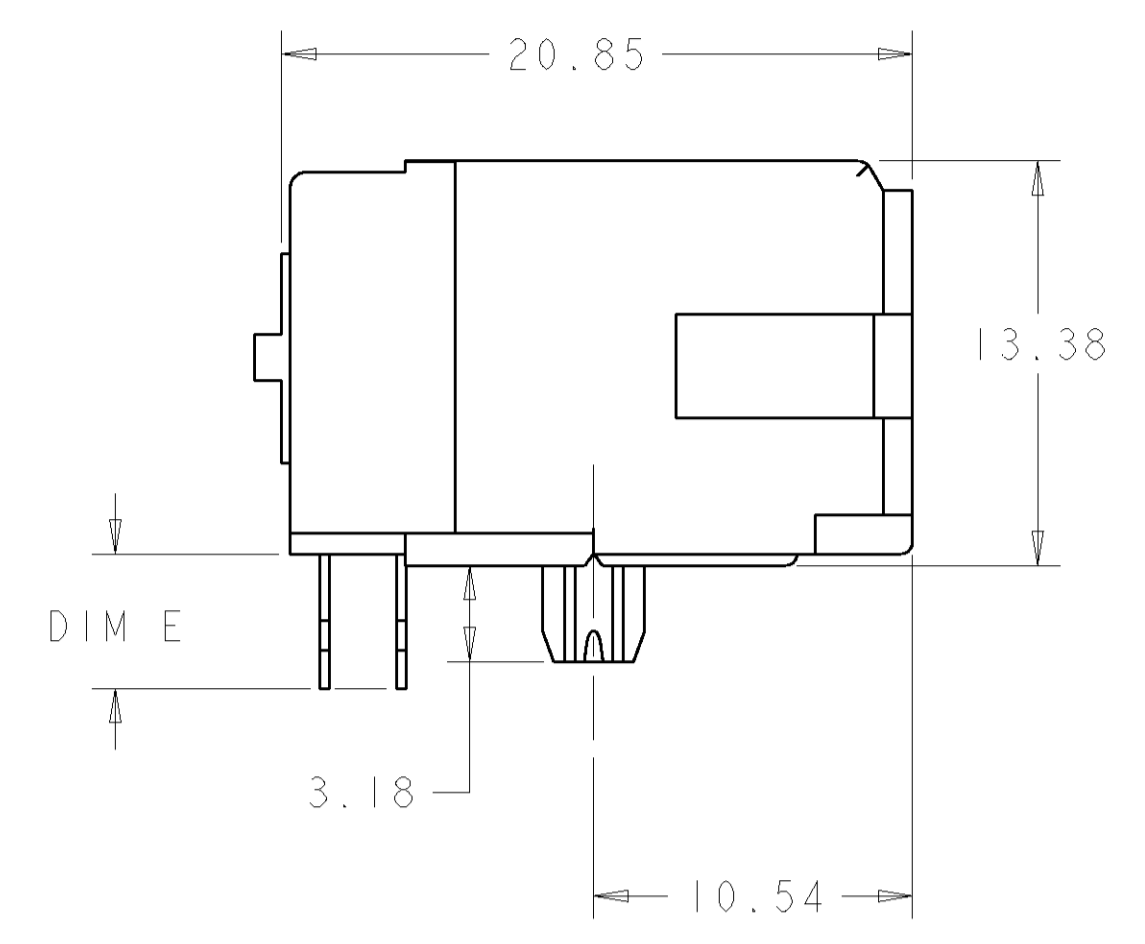
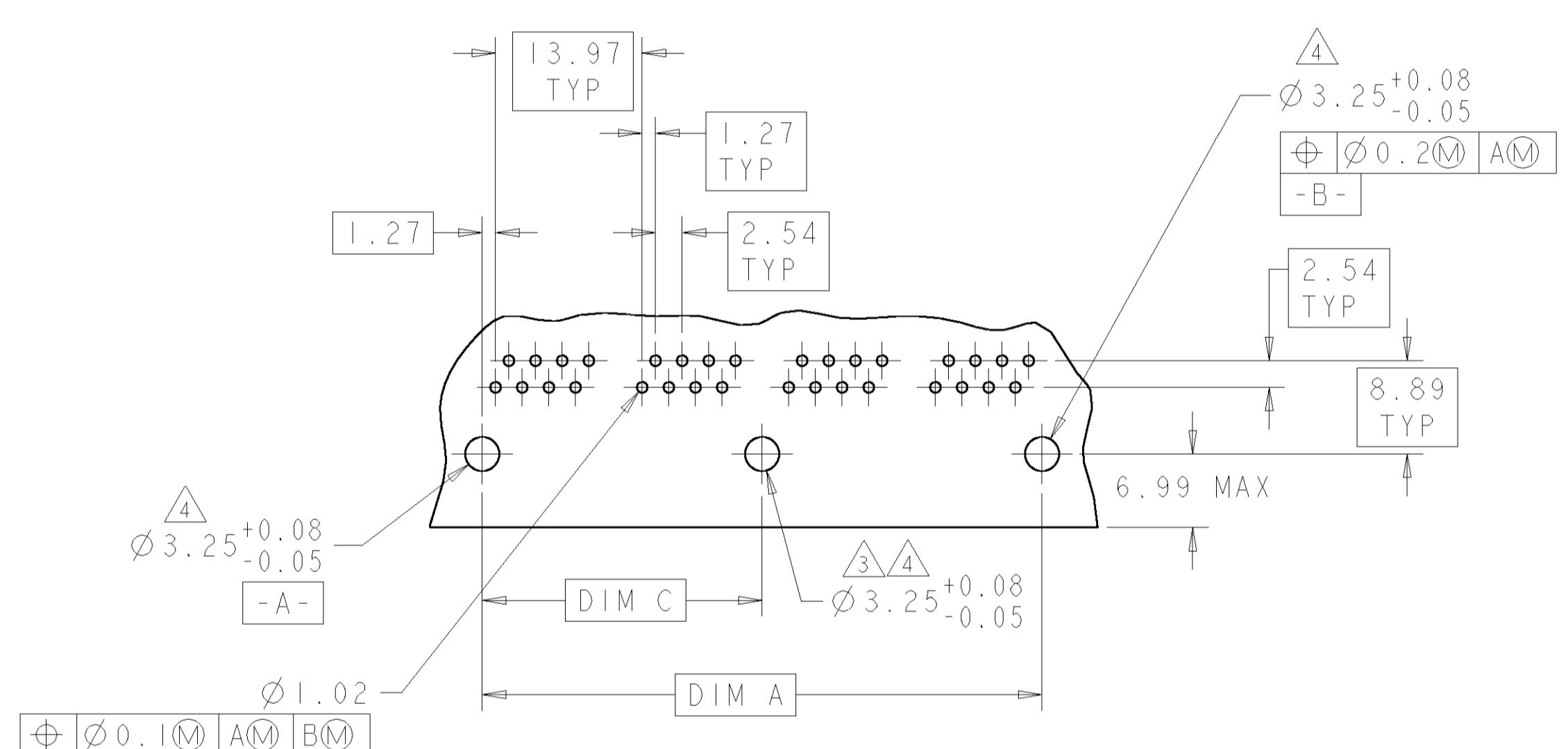


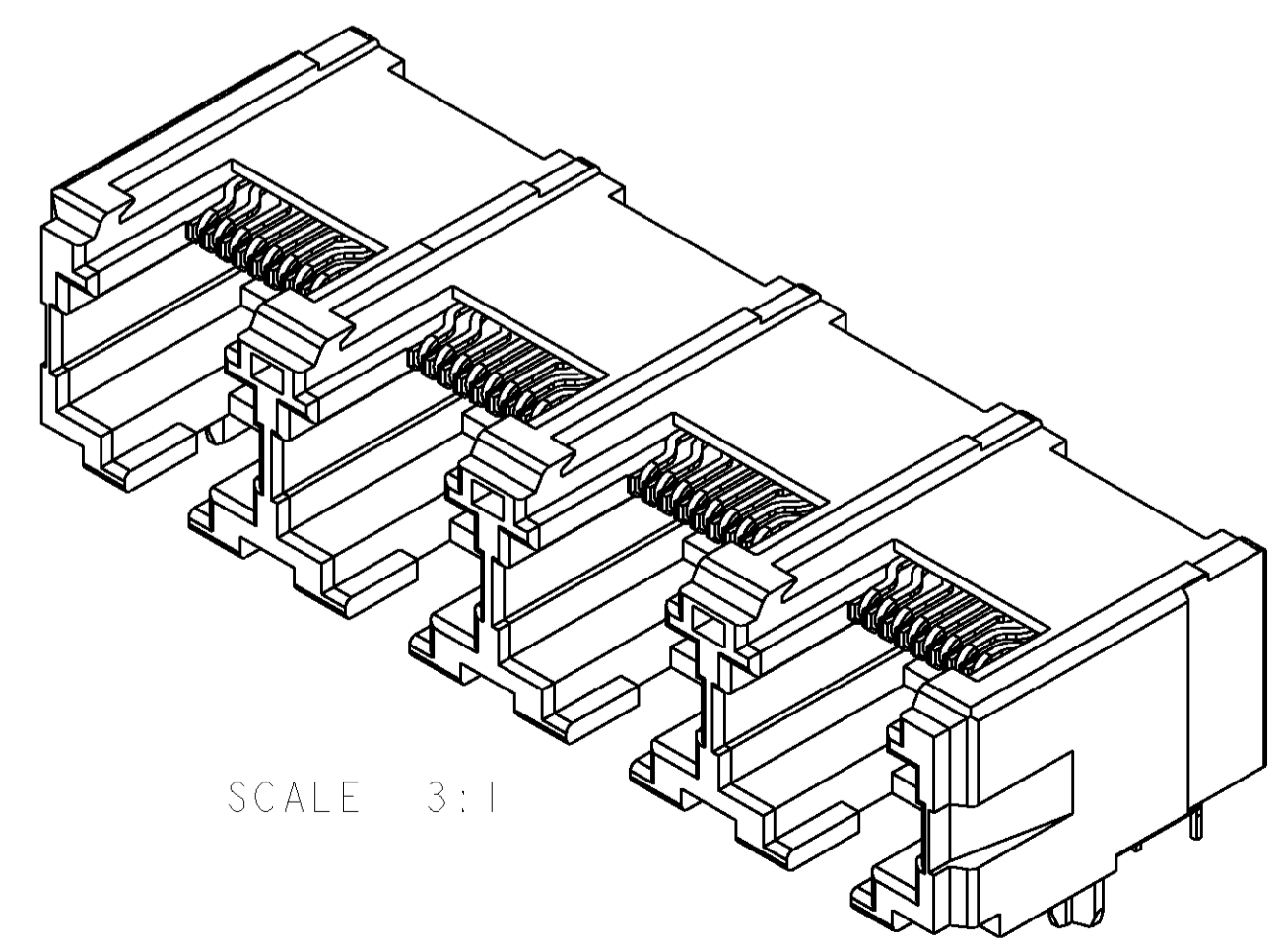
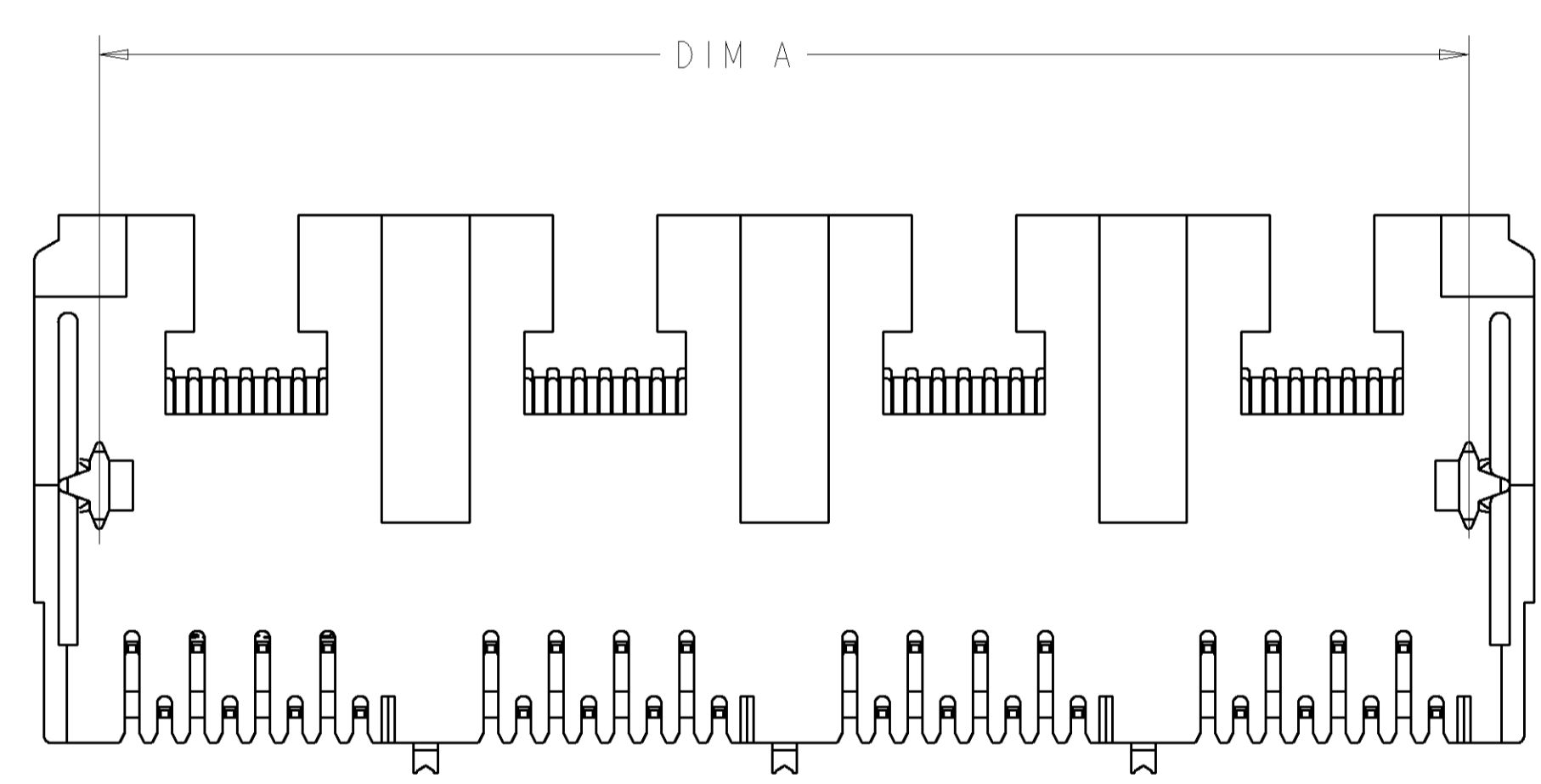
LOC	DIST	REVISIONS					
AA	22	P	LTR	DESCRIPTION	DATE	DRN	APVD
		A		ECOS11-0201-04	10MAY2005	LAM	SF



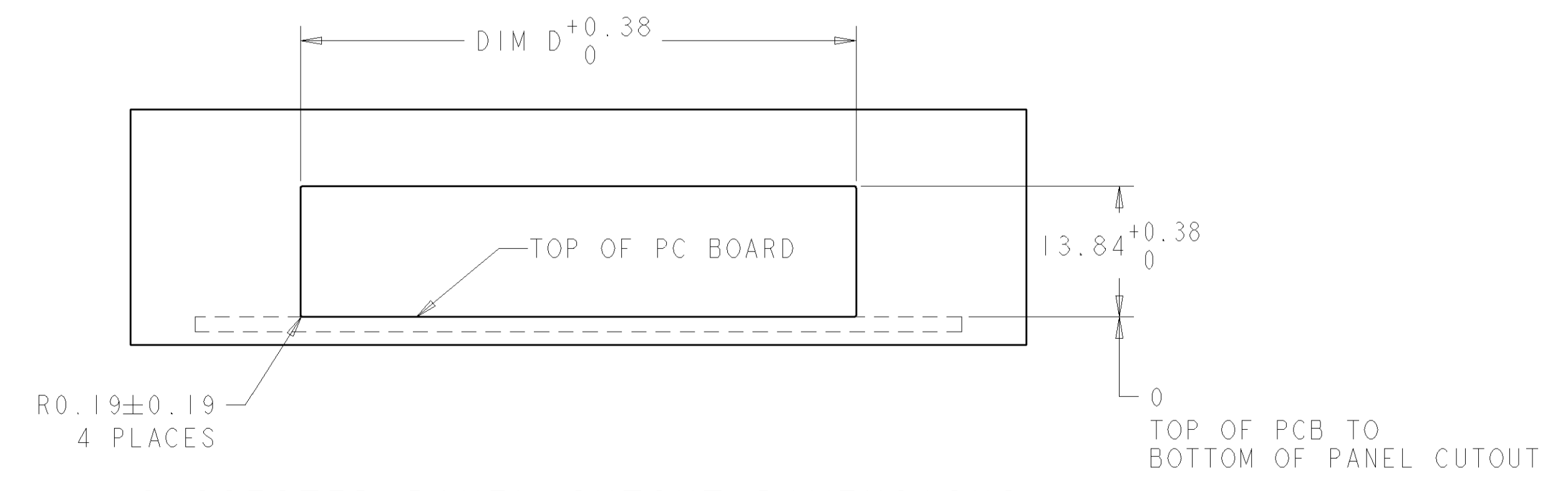
- MATERIAL: HOUSING - PCT POLYESTER, BLACK, UL 94V-0.  
 TERMINALS: 0.305 THICK PHOS BRONZE PLATED WITH .0013mm MINIMUM THICK HARD GOLD IN LOCALIZED AREA AND .002mm MINIMUM THICK MATTE TIN IN SOLDER AREA OVER .0013mm MINIMUM THICK NICKEL UNDERPLATE
- JACK CAVITY CONFORMS TO FCC RULES AND REGULATIONS, PART 68 SUBPART F
- CENTER BOARD LOCATOR AND PCB HOLE INCLUDED ON 6339207-7 ONLY
- USE #30 DRILL BIT OR 3.25mm DRILL BIT WHEN PRODUCING THESE PCB HOLES
- RECOMMENDED APPLICATIONS: FAST ETHERNET, 10 BASE-T ETHERNET, AND 10/100 BASE-T ETHERNET (CAT 5 TWO PAIR 1/2, 3/6)



SUGGESTED PCB LAYOUT VIEWED FROM COMPONENT SIDE SCALE 2:1



SCALE 3:1



SUGGESTED PANEL CUTOUT DIMENSIONS SCALE: 2:1

3.56	114.8	54.61	114.3 (1X8)	109.22	6339207-7
3.05	58.9	-	58.42 (1X4)	53.34	6339207-1
DIM E	DIM D	DIM C	DIM B	DIM A	PART NUMBER

DIMENSIONS: mm TOLERANCES UNLESS OTHERWISE SPECIFIED: 0 PLC ± 1 PLC ±0.25 2 PLC ± 3 PLC ± 4 PLC ± ANGLES ±		DIMENSIONS: mm TOLERANCES UNLESS OTHERWISE SPECIFIED: 0 PLC ± 1 PLC ±0.25 2 PLC ± 3 PLC ± 4 PLC ± ANGLES ±		DIMENSIONS: mm TOLERANCES UNLESS OTHERWISE SPECIFIED: 0 PLC ± 1 PLC ±0.25 2 PLC ± 3 PLC ± 4 PLC ± ANGLES ±	
MATERIAL SEE NOTE 1		FINISH SEE NOTE 1		CUSTOMER DRAWING	

DRN	J. AHERONA	10MAY2005	Tyco Electronics Harrisburg, PA 17105-3608		
CHK	J. WESTMAN	10MAY2005	ASSEMBLY, MODULAR JACK, MULTI PORT, (LOWER)		
APVD	S. FLICKINGER	10MAY2005	SCALE 4:1 SHEET 1 OF 1 REV A		
PRODUCT SPEC		108-1163-9		RESTRICTED TO	
APPLICATION SPEC		114-2048		A100779C=6339207	
WEIGHT		-		-	