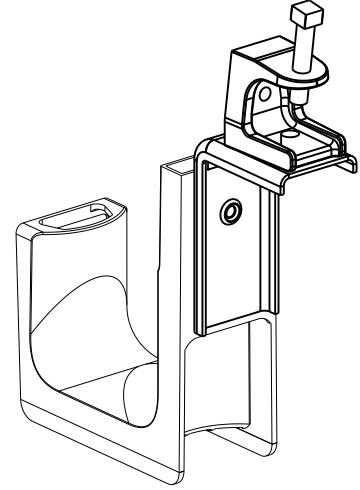
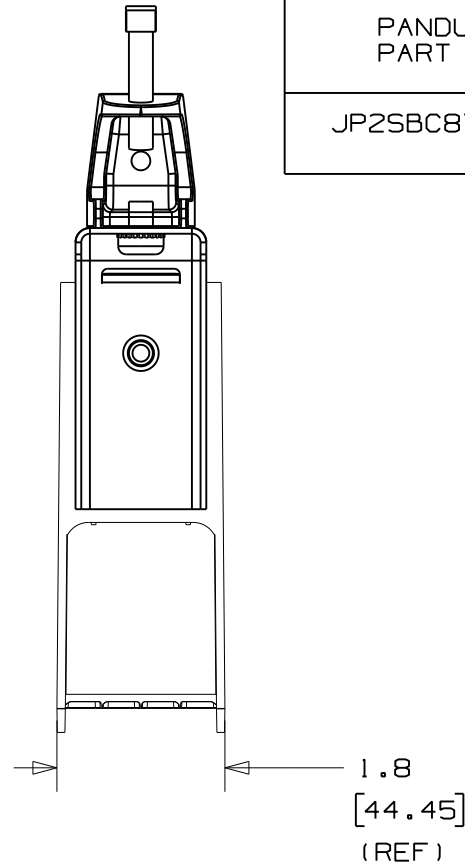
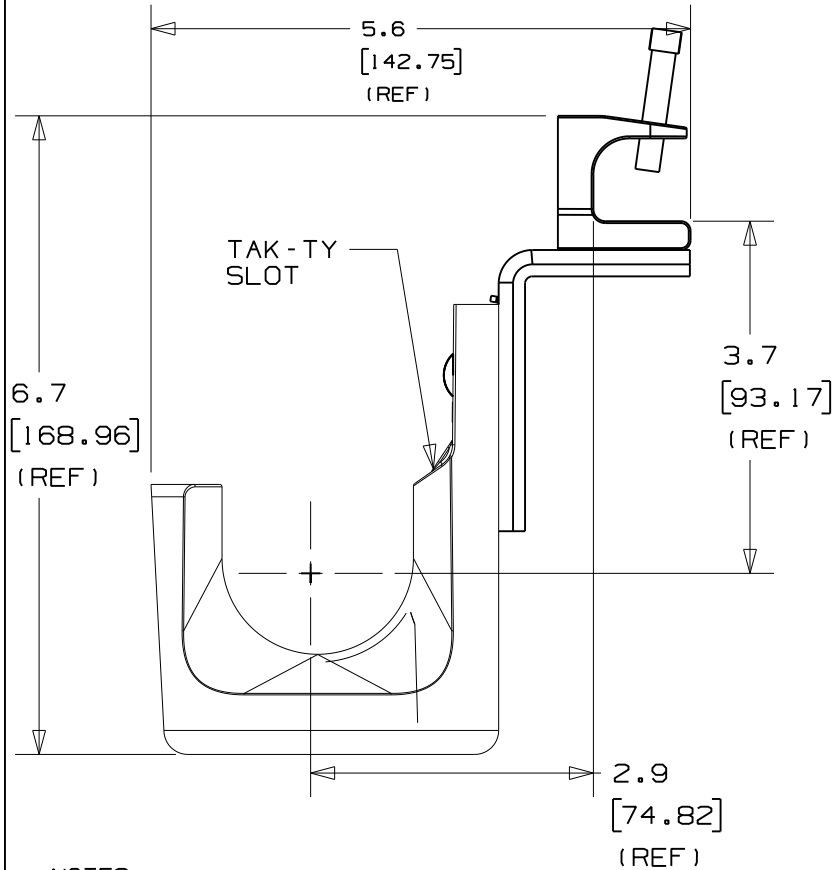


THIS COPY IS PROVIDED ON A RESTRICTED BASIS AND IS NOT TO BE USED IN ANY WAY DETRIMENTAL TO THE INTERESTS OF PANDUIT CORP.



PANDUIT PART NO.	FLANGE THICKNESS	WEIGHT lbs 10 (g) pcs
JP2SBC87R- ---	UP TO 3/4" (19.05mm) THICK	5.0 (2268.0)

NOTES:

- SEE CURRENT PRICE SHEET FOR PART NUMBER SUFFIX DESIGNATION FOR PACKAGE SIZE AND PRODUCT COLOR.
- | | |
|-------------------------|----------------------|
| HOOK MATERIAL: | NYLON 6/6 |
| ANGLE BRACKET MATERIAL: | PRE-GALVANIZED STEEL |
| CLAMP MATERIAL: | MALLEABLE IRON |
| RIVET MATERIAL: | ALUMINUM |
| LOCK WASHER: | ZINC PLATED STEEL |
| BOLT: | ZINC PLATED STEEL |
- PRODUCT IS DESIGNED TO SUPPORT A MAXIMUM OF 2" (50.8) DIAMETER BUNDLE. MAXIMUM RECOMMENDED STATIC LOAD: 30 lbs.
- PRODUCT INCORPORATES FEATURES ALLOWING USER TO RETAIN CABLE BUNDLES IN J-PRO J-HOOK WITH TAK-TY CABLE TIES UP TO 3/4" WIDE.
- PRODUCT MARKINGS:

cULus logo and statement:
 "SUITABLE FOR USE IN AIR HANDLING SPACES IN ACCORDANCE WITH SECTION 300-22 (C) & (D) OF THE NATIONAL ELECTRIC CODE."
 ULC logo and statement:
 "IN ACCORDANCE WITH CAN/ULC S-102.2 IN SINGLE UNITS OR PAIRS, 4 ft (1220mm) MIN. SPACING, FSR=0, SDC=20."

DIMENSIONS IN BRACKETS ARE METRIC [mm]

CAD FILENAME/LAYERS 10K016BK_DC_GB3004CC/O1A

PANDUIT CORP. TINLEY PARK, ILLINOIS

J-PRO J-HOOK WITH 360° ROTATION SCREW ON BEAM CLAMP (JP2SBC87R- ---)

UNLESS OTHERWISE SPECIFIED, DIMENSIONAL TOLERANCES ARE: (.X) ±0.05 (1.3) (.XXX) ±0.010 (0.25) (.XX) ±0.02 (0.5) ANGLES ± 5°	UNLESS OTHERWISE SPECIFIED, ALL DIMENSIONS ARE GIVEN IN INCHES, THIRD ANGLE PROJECTION.
---	---

REV	DATE	BY	CHK	DESCRIPTION	ECN	R	CUST	SUP	OC
O1A	10/26/10	APW	DJW	REVISED DIMENSIONS, UPDATED TO TEAMCENTER FORMAT	GB3004CC	O1A	KLN		
1	2/20/06	JAD		FLANGE THICKNESS WAS 7/8"	GB3004CC	1			

DRAWN BY JAD	MAT'L:	SCALE NONE
DATE 4/8/05	SEE NOTE 2	DRAWING NO. GB3004CC
CHK'D KLN		DWG SIZE A