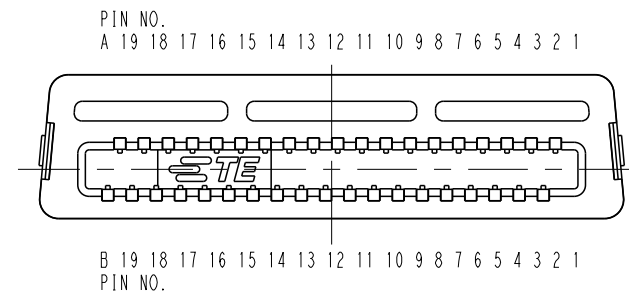
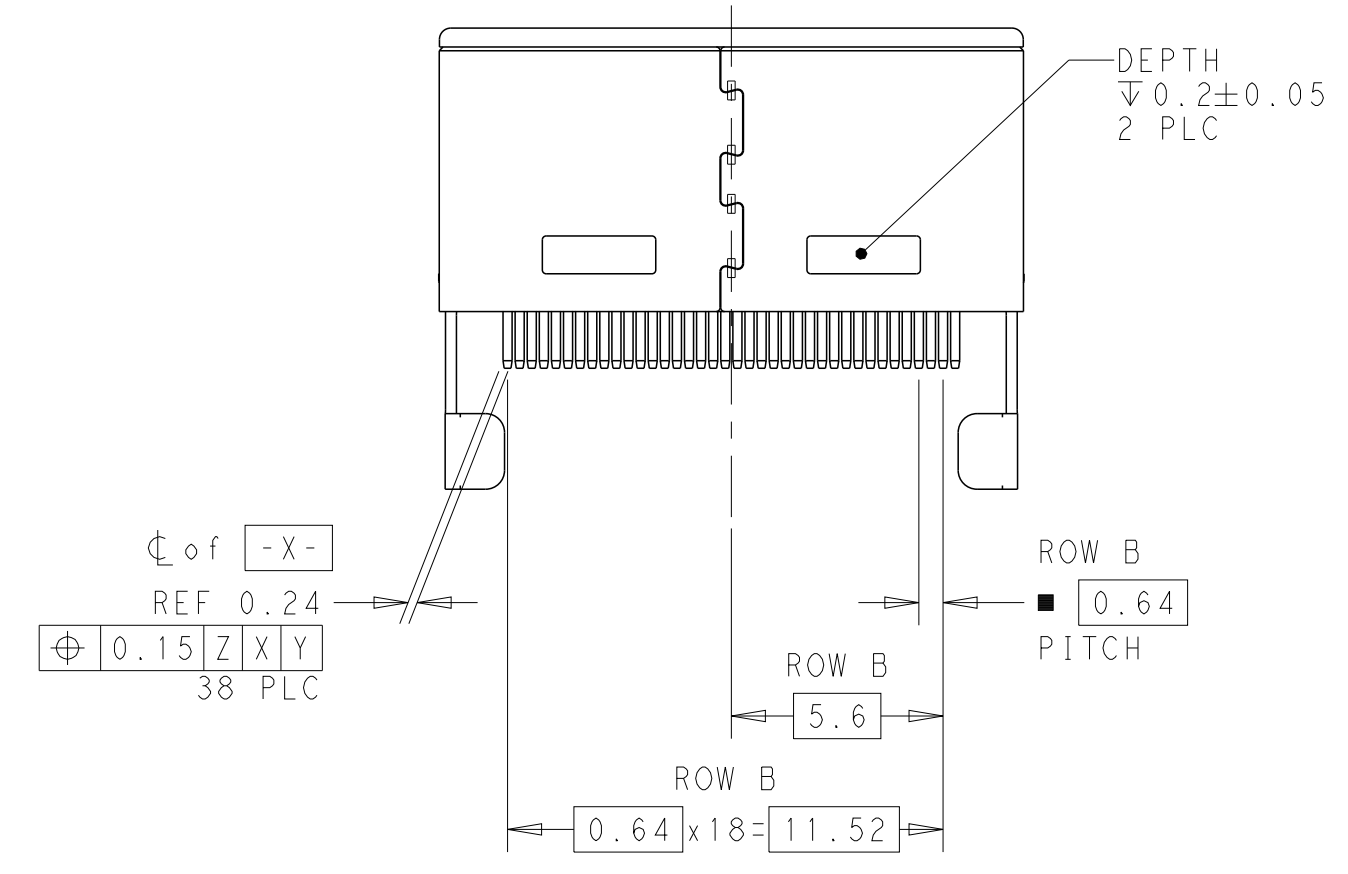
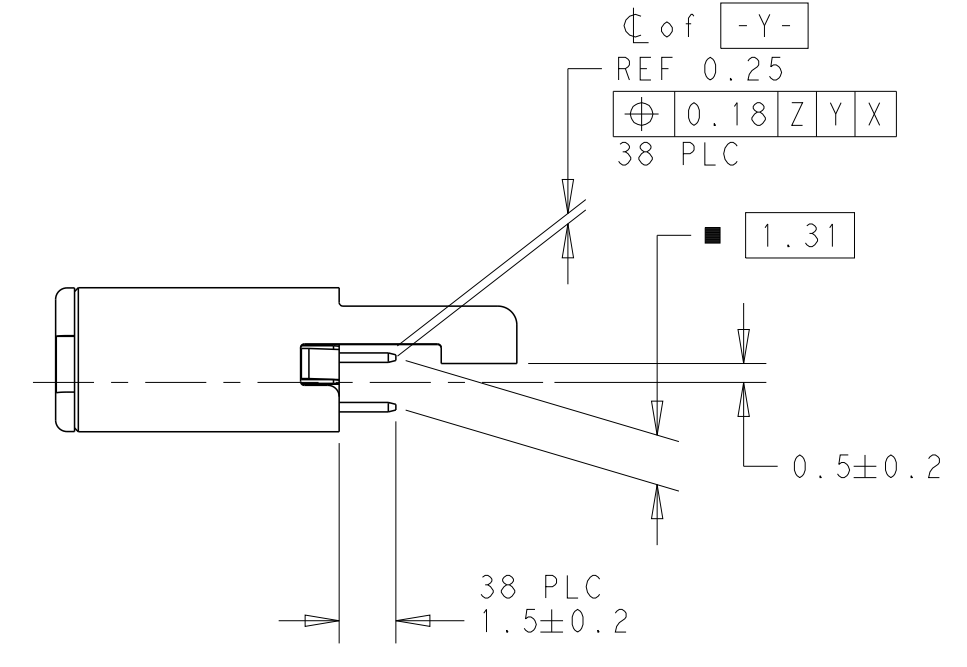
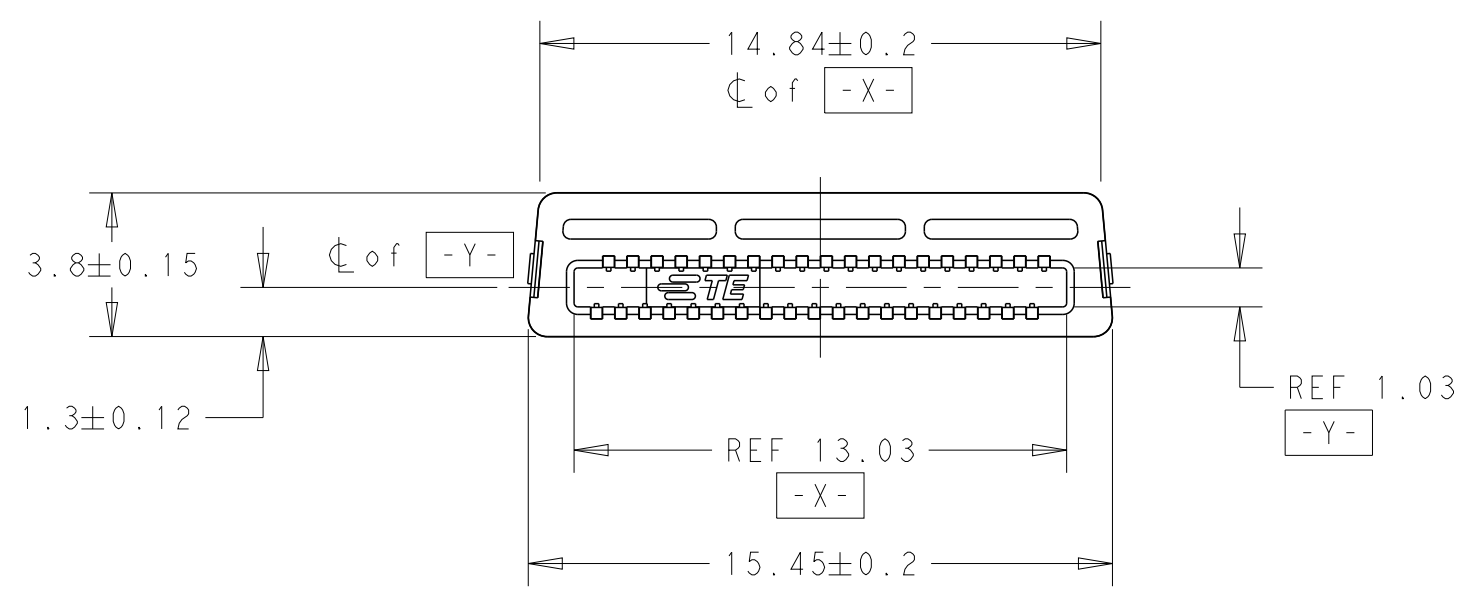
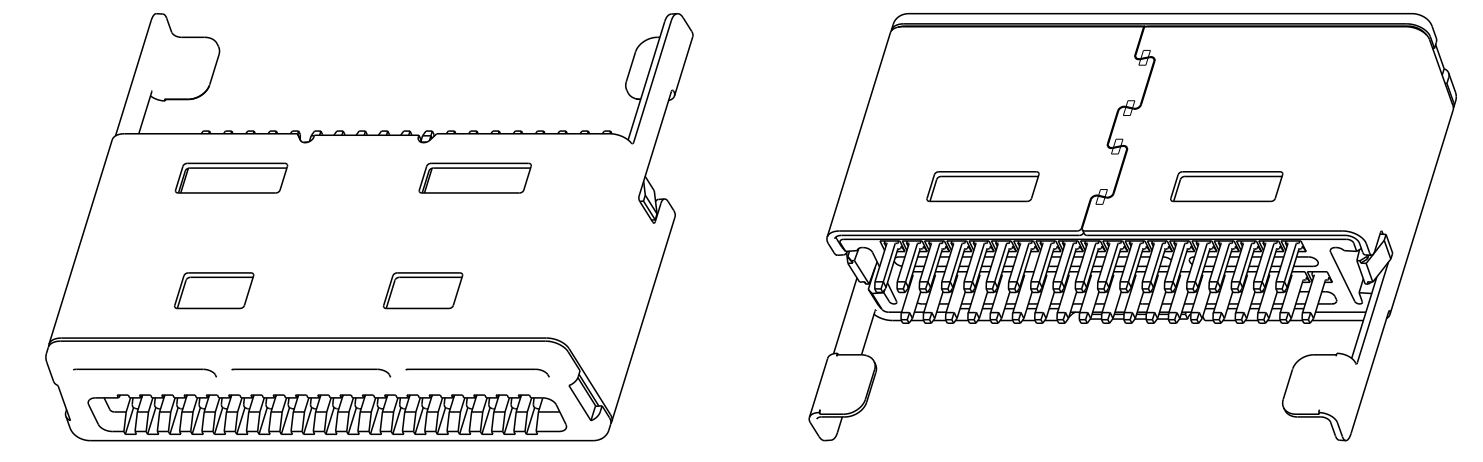
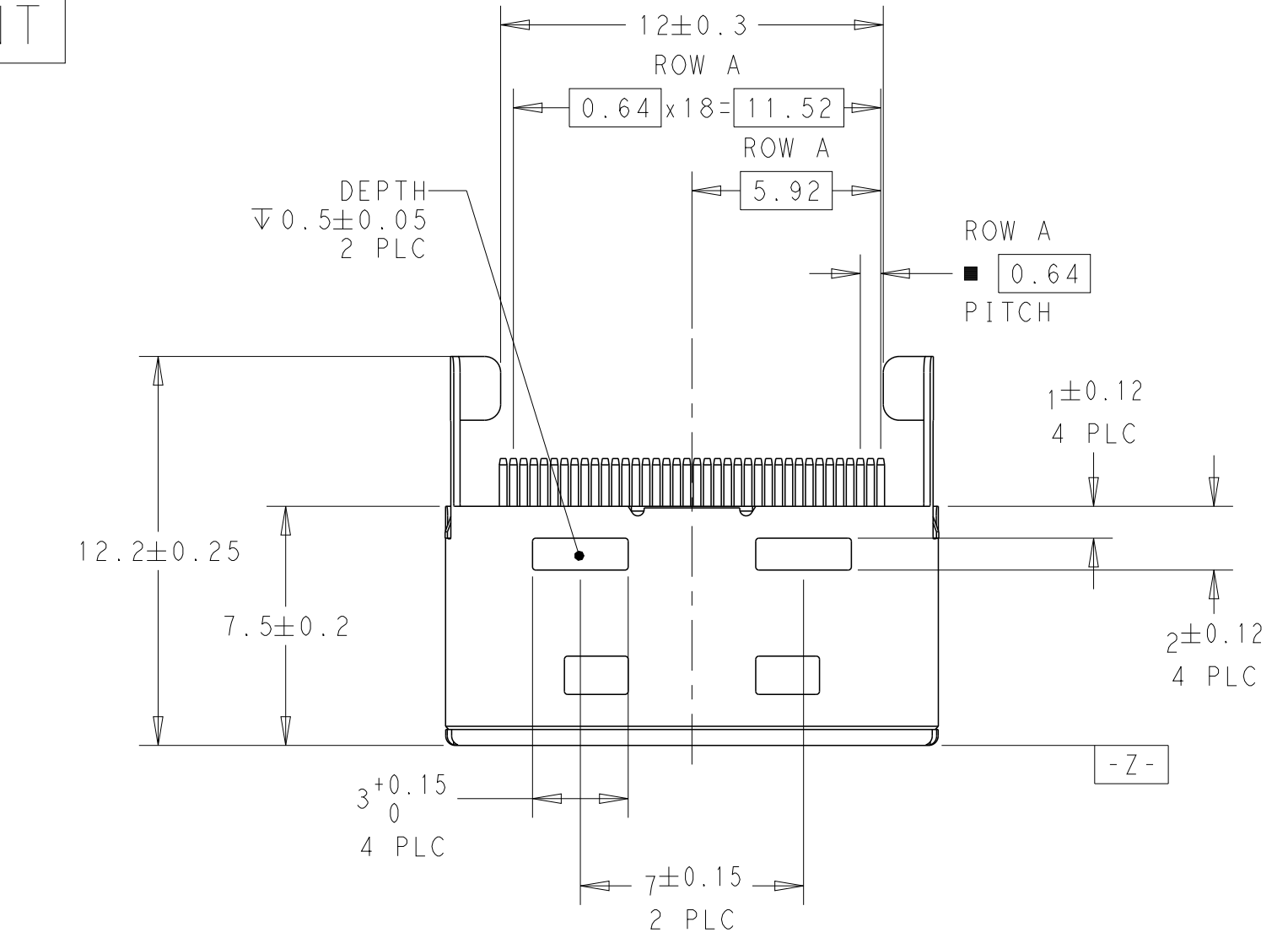


REVISIONS					
P	LTR	DESCRIPTION	DATE	DWN	APVD
A1		REVISED	16MAR2015	Y. S	M. K
A2		REVISED	18JUN2015	Y. S	M. K
B		REVISED	28JAN2016	Y. S	M. K
B1		REVISED	19JUL2021	Y. S	M. K

RoHS COMPLIANT



THIS DRAWING IS A CONTROLLED DOCUMENT.		DWN Y. SASAKI 09DEC2013	TE Connectivity	
DIMENSIONS: mm [INCHES]		CHK M. KIMURA 09DEC2013		
TOLERANCES UNLESS OTHERWISE SPECIFIED:		APVD M. KIMURA 09DEC2014	NAME PLUG CONNECTOR ASSEMBLY HASAKI 38P PLUG CONNECTOR KEEN EDGE CONNECTOR SERIES	
0-PLC ±0.15		PRODUCT SPEC 108-140067	SIZE A2	
1-PLC ±0.2		APPLICATION SPEC -	CAGE CODE -	
2-PLC ±0.01		WEIGHT 0.99g	DRAWING NO. C-2822023	
3-PLC ±0.001		CUSTOMER DRAWING	RESTRICTED TO -	
4-PLC ±0.0001		SCALE 5:1	SHEET 1 OF 2	
ANGLES ±0.5			REV B1	
FINISH -				
SEE TABLE 1				

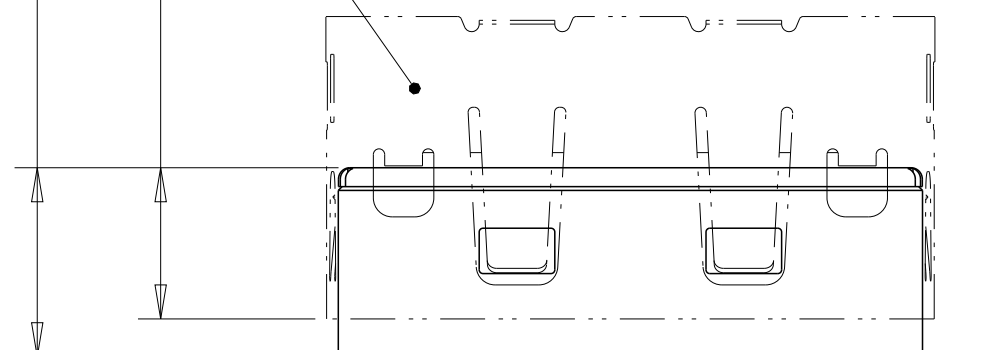
REVISIONS				
P	LTR	DESCRIPTION	DATE	APVD
-		SEE SHEET 1	-	-

ROHS COMPLIANT

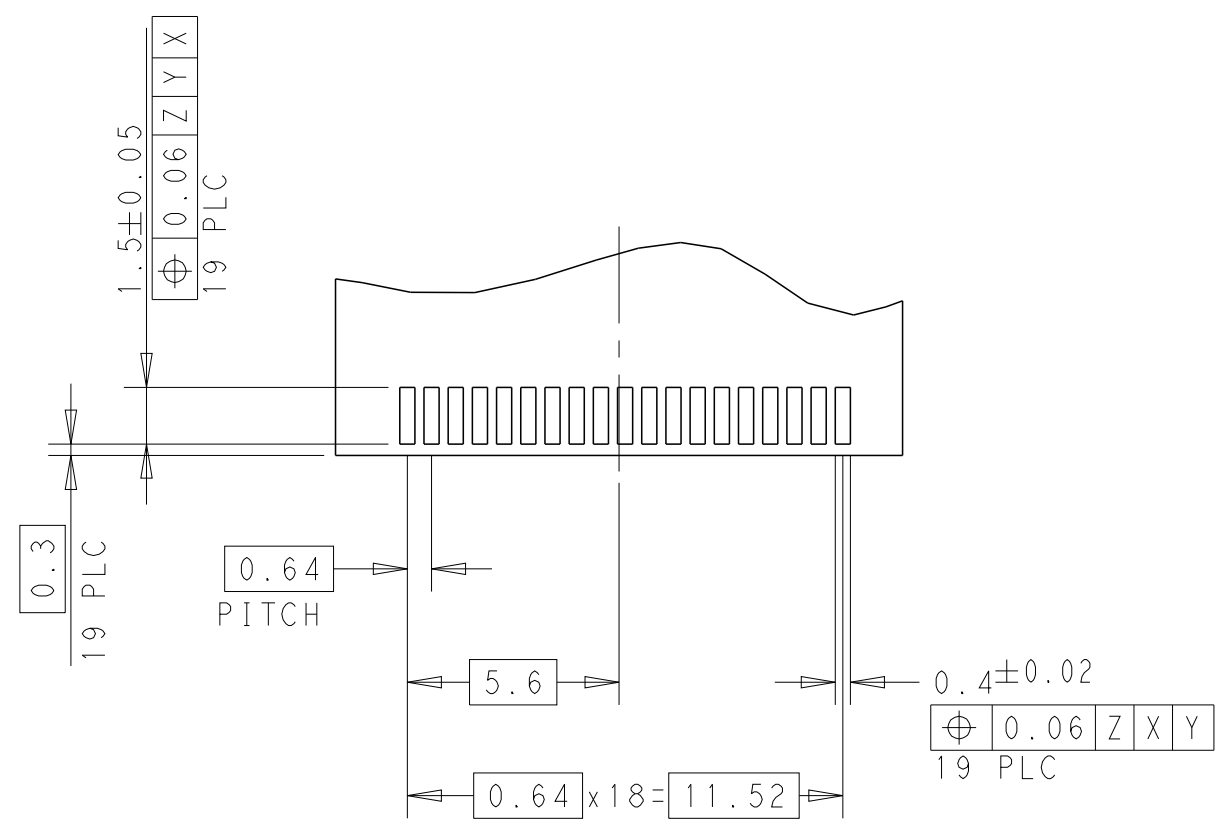
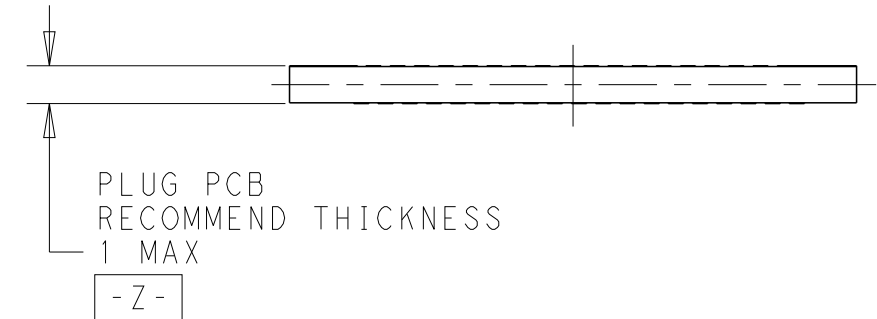
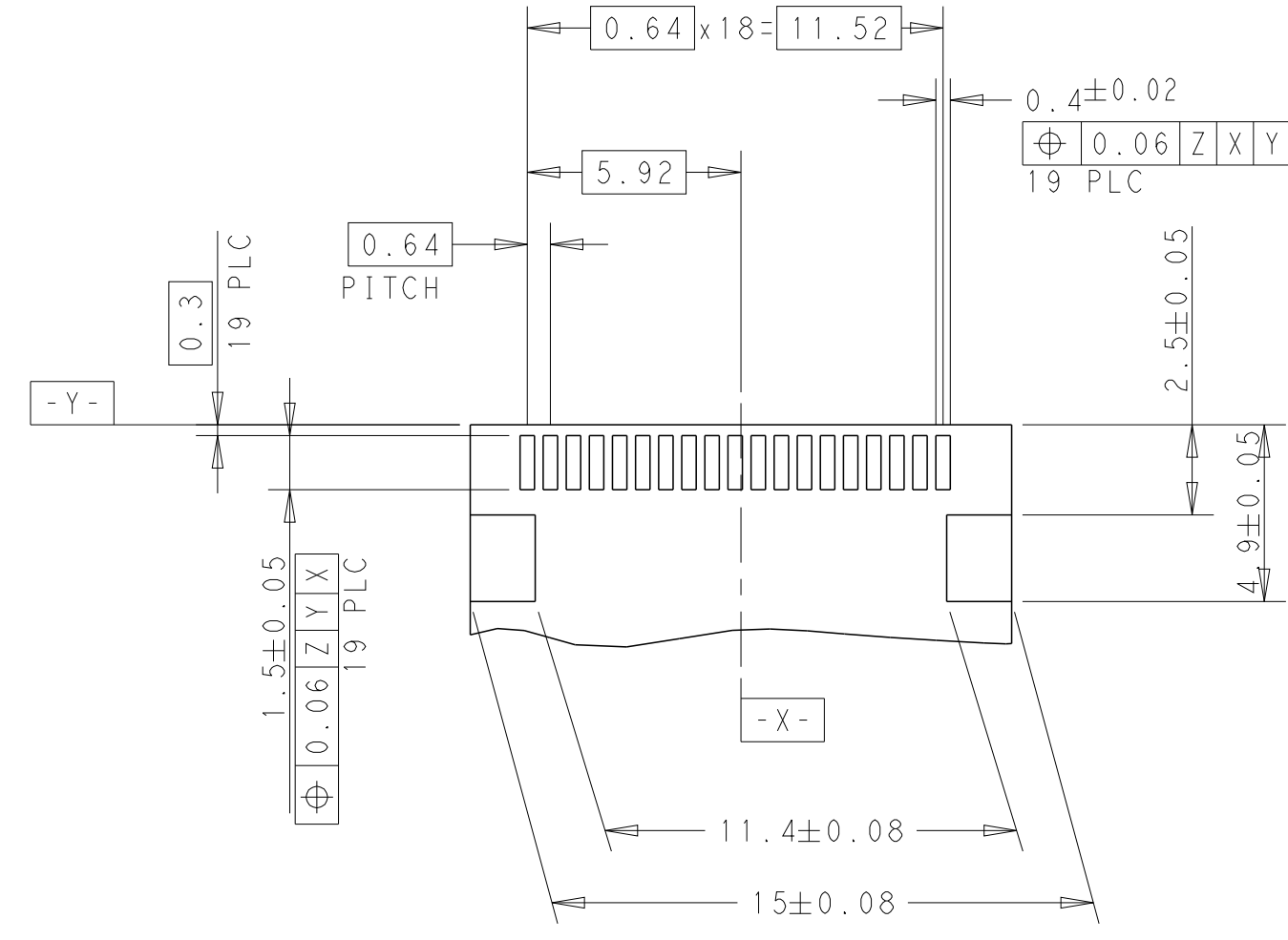
5 MIN. CLEARANCE FOR PLUG COVER.

REF 4 EFFECTIVE MATING LENGTH.

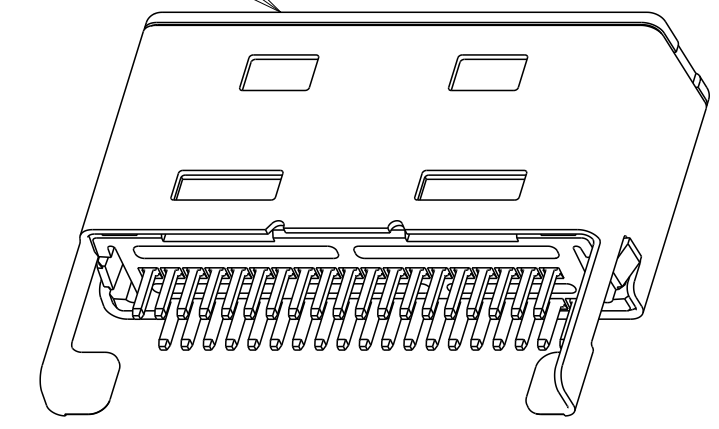
APPLICABLE RECEPTACLE CONNECTOR P/N : 2822022-*



REFERENCE MATING LENGTH AND CLEARANCE FOR COVER



1 2 3



- 1. USED MATERIAL : SEE TABLE
- 2. REFLOW OR SPLDERING
 REFLOW CONDITION : AIR REFLOW, TEST PCB BOARD THICKNESS : 1.0 mm MAX.
 PEAK 250°C~255°C, 230°C MIN 30±10sec, 150°C~180°C 90±30sec.

QTY	NAME	MATERIAL	ITEM NO
1	PLUG OUTER SHELL KEEN EDGE CONNECTOR SERIES	BRASS	3
38	PLUG TAB CONTACT KEEN EDGE CONNECTOR SERIES	BRASS	2
1	PLUG HOUSING KEEN EDGE CONNECTOR SERIES	LCP BLACK	1
- 1	NAME	MATERIAL	ITEM NO

REFERENCE PLUG PCB PAD DIMENSION (CABLE TERMINATION BOARD)

THIS DRAWING IS A CONTROLLED DOCUMENT.

DIMENSIONS: mm [INCHES]	TOLERANCES UNLESS OTHERWISE SPECIFIED: 0-PLC ±0.15 1-PLC ±0.2 2-PLC ±0.1 3-PLC ±0.001 4-PLC ±0.0001 ANGLES ±0.5 FINISH -	DWN Y. SASAKI 09DEC2013 CHK M. KIMURA 09DEC2013 APVD M. KIMURA 09DEC2014	TE Connectivity	
MATERIAL SEE TABLE 1	PRODUCT SPEC 108-140067	NAME PLUG CONNECTOR ASSEMBLY HASAKI 38P PLUG CONNECTOR KEEN EDGE CONNECTOR SERIES	SIZE A2	RESTRICTED TO
	APPLICATION SPEC	DRAWING NO C-2822023	SCALE 5:1	SHEET 2 OF 2
	WEIGHT	CUSTOMER DRAWING	REV B1	