



Is Now Part of



ON Semiconductor®

To learn more about ON Semiconductor, please visit our website at
www.onsemi.com

ON Semiconductor and the ON Semiconductor logo are trademarks of Semiconductor Components Industries, LLC dba ON Semiconductor or its subsidiaries in the United States and/or other countries. ON Semiconductor owns the rights to a number of patents, trademarks, copyrights, trade secrets, and other intellectual property. A listing of ON Semiconductor's product/patent coverage may be accessed at www.onsemi.com/site/pdf/Patent-Marking.pdf. ON Semiconductor reserves the right to make changes without further notice to any products herein. ON Semiconductor makes no warranty, representation or guarantee regarding the suitability of its products for any particular purpose, nor does ON Semiconductor assume any liability arising out of the application or use of any product or circuit, and specifically disclaims any and all liability, including without limitation special, consequential or incidental damages. Buyer is responsible for its products and applications using ON Semiconductor products, including compliance with all laws, regulations and safety requirements or standards, regardless of any support or applications information provided by ON Semiconductor. "Typical" parameters which may be provided in ON Semiconductor data sheets and/or specifications can and do vary in different applications and actual performance may vary over time. All operating parameters, including "Typicals" must be validated for each customer application by customer's technical experts. ON Semiconductor does not convey any license under its patent rights nor the rights of others. ON Semiconductor products are not designed, intended, or authorized for use as a critical component in life support systems or any FDA Class 3 medical devices or medical devices with a same or similar classification in a foreign jurisdiction or any devices intended for implantation in the human body. Should Buyer purchase or use ON Semiconductor products for any such unintended or unauthorized application, Buyer shall indemnify and hold ON Semiconductor and its officers, employees, subsidiaries, affiliates, and distributors harmless against all claims, costs, damages, and expenses, and reasonable attorney fees arising out of, directly or indirectly, any claim of personal injury or death associated with such unintended or unauthorized use, even if such claim alleges that ON Semiconductor was negligent regarding the design or manufacture of the part. ON Semiconductor is an Equal Opportunity/Affirmative Action Employer. This literature is subject to all applicable copyright laws and is not for resale in any manner.



FJAFS1720

ESBC™ Rated NPN Power Transistor

ESBC Features (FDS8817 MOSFET)

$V_{CS(ON)}$	I_C	Equiv. $R_{CS(ON)}$
0.304 V	10 A	$0.0304 \Omega_{\text{eff}}$

- Low Equivalent On Resistance
- Very Fast Switch: 150 kHz
- Squared RBSOA: Up to 1700 V
- Avalanche Rated
- Low Driving Capacitance, No Miller Capacitance
- Low Switching Losses
- Reliable HV Switch: No False Triggering due to High dv/dt Transients

Applications

- High-Voltage and High-Speed Power Switches
- Emitter-Switched Bipolar/MOSFET Cascode (ESBC™)
- Smart Meters, Smart Breakers, SMPS, HV Industrial Power Supplies
- Motor Drivers and Ignition Drivers

Description

The FJAFS1720 is a low-cost, high-performance power switch designed to provide the best performance when used in an ESBC™ configuration in applications such as: power supplies, motor drivers, smart grid, or ignition switches. The power switch is designed to operate up to 1700 volts and up to 12 amps, while providing exceptionally low on-resistance and very low switching losses.

The ESBC™ switch is designed to be driven using off-the-shelf power supply controllers or drivers. The ESBC™ MOSFET is a low-voltage, low-cost, surface-mount device that combines low-input capacitance and fast switching. The ESBC™ configuration further minimizes the required driving power because it does not have Miller capacitance.

The FJAFS1720 provides exceptional reliability and a large operating range due to its square reverse-bias-safe-operating-area (RBSOA) and rugged design. The device is avalanche rated and has no parasitic transistors, so is not prone to static dv/dt failures.

The power switch is manufactured using a dedicated high-voltage bipolar process and is packaged in a high-voltage TO-3PF package.

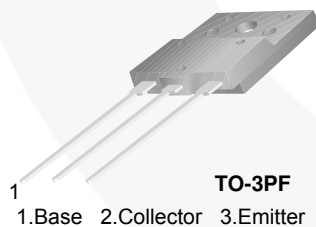


Figure 1. Pin Configuration

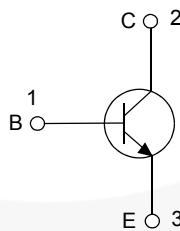


Figure 2. Internal Schematic Diagram

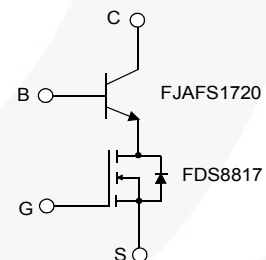


Figure 3. ESBC Configuration⁽²⁾

Ordering Information

Part Number	Marking	Package	Packing Method
FJAFS1720TU	J1720	TO-3PF	TUBE

Notes:

1. Figure of Merit.
2. Other Fairchild MOSFETs can be used in this ESBC application.

Absolute Maximum Ratings⁽³⁾Values are at $T_A = 25^\circ\text{C}$ unless otherwise noted.

Symbol	Parameter	Value	Units
V_{CB0}	Collector-Base Voltage	1700	V
V_{CEO}	Collector-Emitter Voltage	800	V
V_{EBO}	Emitter-Base Voltage	6	V
I_C	Collector Current (DC)	12	A
P_C	Collector Dissipation ($T_C = 25^\circ\text{C}$)	60	W
T_J	Operating and Junction Temperature Range	-55 to +125	$^\circ\text{C}$
T_{STG}	Storage Temperature Range	-55 to +150	$^\circ\text{C}$

Note:3. Pulse Test is Pulse Width ≤ 5 ms, Duty Cycle $\leq 10\%$.**Thermal Characteristics**Values are at $T_A = 25^\circ\text{C}$ unless otherwise noted.

Symbol	Parameter	Max.	Units
$R_{\theta JC}$	Thermal Resistance, Junction to Case	2.08	$^\circ\text{C/W}$

Electrical Characteristics⁽⁴⁾Values are at $T_A = 25^\circ\text{C}$ unless otherwise noted.

Symbol	Parameter	Test Conditions	Min.	Typ.	Max.	Units
I_{CES}	Collector Cut-off Current	$V_{CB} = 1400\text{ V}, R_{BE} = 0$			100	μA
I_{CBO}	Collector Cut-off Current	$V_{CB} = 800\text{ V}, I_E = 0$			10	μA
I_{EBO}	Emitter Cut-off Current	$V_{EB} = 4\text{ V}, I_C = 0$			100	μA
BV_{CBO}	Collector-Base Breakdown Voltage	$I_C = 500\ \mu\text{A}, I_E = 0$	1700			V
BV_{CEO}	Collector-Emitter Breakdown Voltage	$I_C = 5\text{ mA}, I_B = 0$	800			V
BV_{EBO}	Base-Emitter Breakdown Voltage	$I_E = 500\ \mu\text{A}, I_C = 0$	6			V
h_{FE1} h_{FE2}	DC Current Gain	$V_{CE} = 5\text{ V}, I_C = 1\text{ A}$	8.0			
		$V_{CE} = 5\text{ V}, I_C = 11\text{ A}$	5.5		8.5	
$V_{CE(sat)}$	Collector-Emitter Saturation Voltage	$I_C = 10\text{ A}, I_B = 3.33\text{ A}, h_{FE} = 3$		0.25		V
		$I_C = 5\text{ A}, I_B = 1.0\text{ A}, h_{FE} = 5$		0.20		V
		$I_C = 1\text{ A}, I_B = 0.1\text{ A}, h_{FE} = 10$		0.20		V
$V_{BE(sat)}$	Base-Emitter Saturation Voltage	$I_C = 10\text{ A}, I_B = 3.33\text{ A}, h_{FE} = 3$		0.86		V

Note:4. Pulse Test: Pulse Width ≤ 5 ms, Duty Cycle $\leq 10\%$.

ESBC Configured Electrical Characteristics⁽⁵⁾

Values are at $T_A = 25^\circ\text{C}$ unless otherwise noted.

Symbol	Parameter	Test Conditions	Min.	Typ.	Max.	Units
f_T	Current Gain Bandwidth Product	$I_C = 0.1\text{ A}, V_{CE} = 10\text{ V}$		15		MHz
l_{t_f}	Inductive Current Fall Time	$V_{GS} = 10\text{ V}, R_G = 47\ \Omega,$ $V_{Clamp} = 500\text{ V},$ $I_C = 2\text{ A}, I_B = 0.2\text{ A}, h_{FE} = 10$ $L_C = 1\text{ mH},$ $SRF = 350\text{ kHz}$		60		ns
t_s	Inductive Storage Time			1000		ns
V_{t_f}	Inductive Voltage Fall Time			85		ns
V_{t_r}	Inductive Voltage Rise Time			125		ns
t_c	Inductive Crossover Time			165		ns
l_{t_f}	Inductive Current Fall Time		$V_{GS} = 10\text{ V}, R_G = 47\ \Omega,$ $V_{Clamp} = 500\text{ V},$ $I_C = 5\text{ A}, I_B = 1\text{ A}, h_{FE} = 5$ $L_C = 1\text{ mH},$ $SRF = 350\text{ kHz}$		24	
t_s	Inductive Storage Time			1500		ns
V_{t_f}	Inductive Voltage Fall Time			85		ns
V_{t_r}	Inductive Voltage Rise Time			65		ns
t_c	Inductive Crossover Time			110		ns
V_{CSW}	Maximum Collector Source Voltage at Turn-off without Snubber	$h_{FE} = 5, I_C = 6\text{ A}$		1700		
$I_{GS(OS)}$	Gate-Source Leakage Current	$V_{GS} = \pm 20\text{ V}$		1.0		nA
$V_{CS(ON)}$	Collector-Source On Voltage	$V_{GS} = 10\text{ V}, I_C = 10\text{ A}, I_B = 3.3\text{ A}, h_{FE} = 3$		0.3040		V
		$V_{GS} = 10\text{ V}, I_C = 6\text{ A}, I_B = 2\text{ A}, h_{FE} = 3$		0.2124		V
		$V_{GS} = 10\text{ V}, I_C = 3\text{ A}, I_B = 1\text{ A}, h_{FE} = 3$		0.1362		V
		$V_{GS} = 10\text{ V}, I_C = 3\text{ A}, I_B = 0.6\text{ A}, h_{FE} = 5$		0.1662		V
$V_{GS(th)}$	Gate Threshold Voltage	$V_{BS} = V_{GS}, I_B = 250\ \mu\text{A}$		1.9		V
C_{iss}	Input Capacitance ($V_{GS} = V_{CB} = 0$)	$V_{CS} = 25\text{ V}, f = 1\text{ MHz}$		1805		pF
$Q_{GS(tot)}$	Gate-Source Charge $V_{CB}=0$	$V_{GS} = 10\text{ V}, I_C = 6\text{ A}, V_{CS} = 25\text{ V}$		6		nC
$r_{DS(ON)}$	Static Drain-Source On Resistance	$V_{GS} = 10\text{ V}, I_D = 15\text{ A}$		5.4		m Ω
		$V_{GS} = 10\text{ V}, I_D = 15\text{ A}, T_A = 125^\circ\text{C}$		7.5		m Ω
		$V_{GS} = 4.5\text{ V}, I_D = 12.6\text{ A}$		7.0		m Ω

Note:

5. Used typical FDS8817 MOSFET specifications in table. Table could vary if other Fairchild MOSFETs are used.

Typical Performance Characteristics

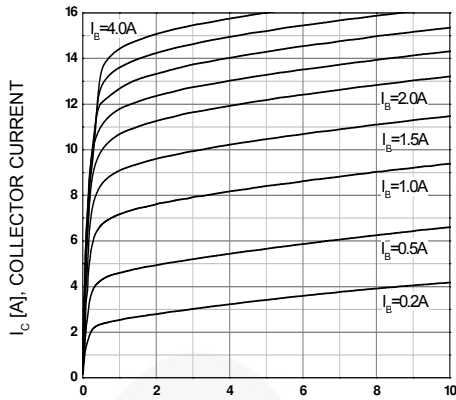


Figure 4. Static Characteristics

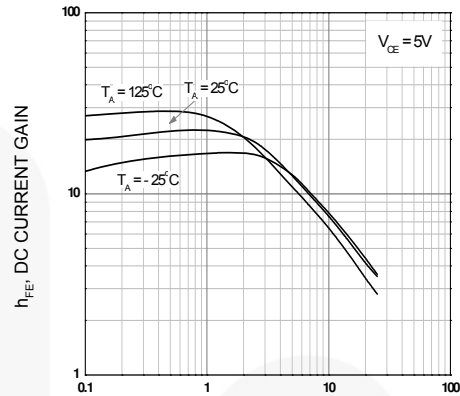


Figure 5. DC Current Gain

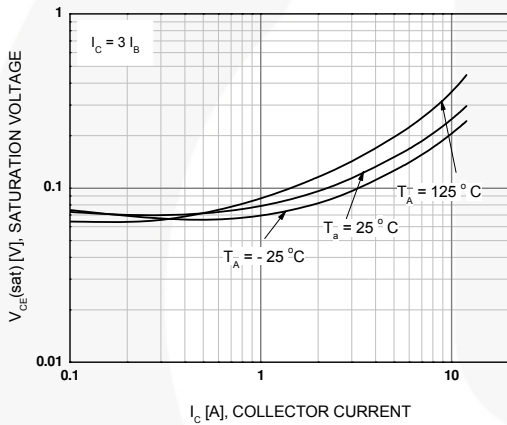


Figure 6. Collector-Emitter Saturation Voltage
 $h_{FE}=3$

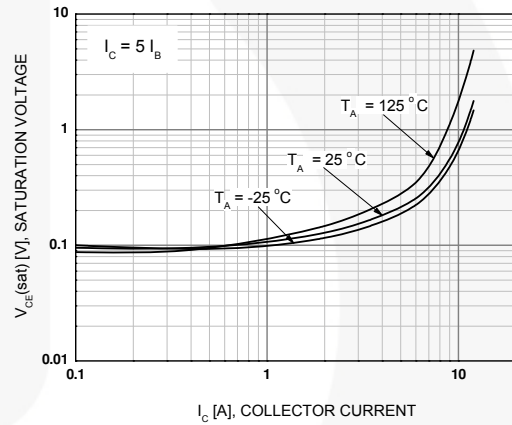


Figure 7. Collector-Emitter Saturation Voltage
 $h_{FE}=5$

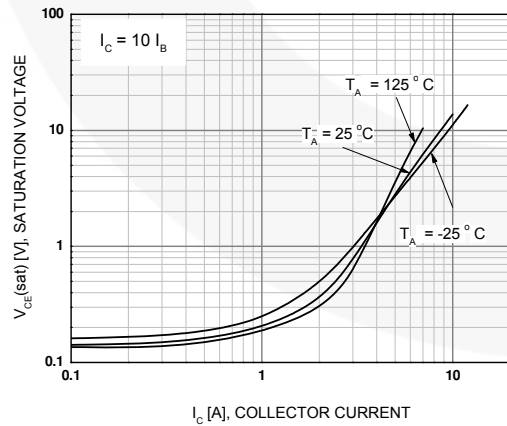


Figure 8. Collector-Emitter Saturation Voltage
 $h_{FE}=10$

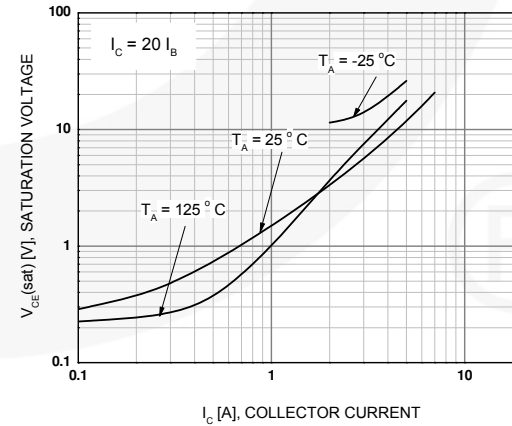


Figure 9. Collector-Emitter Saturation Voltage
 $h_{FE}=20$

Typical Performance Characteristics (Continued)

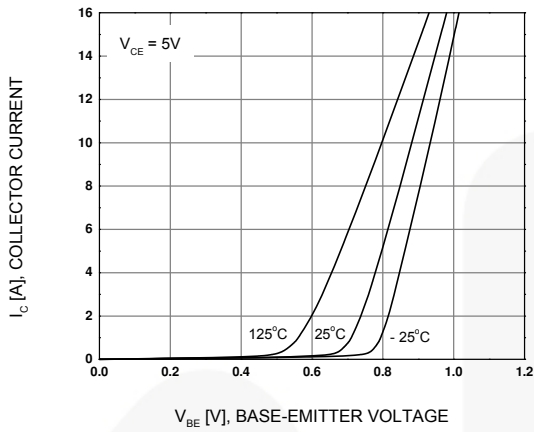


Figure 10. Base-Emitter On Voltage

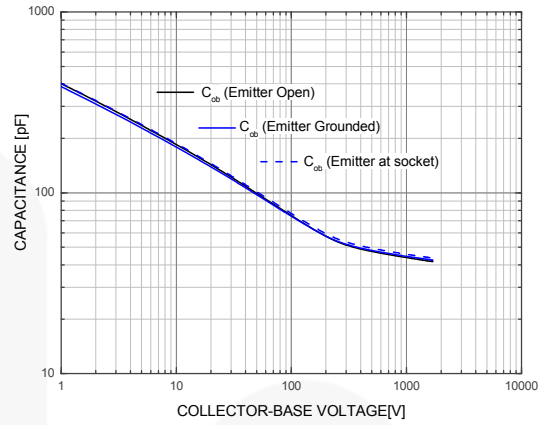


Figure 11. Capacitance

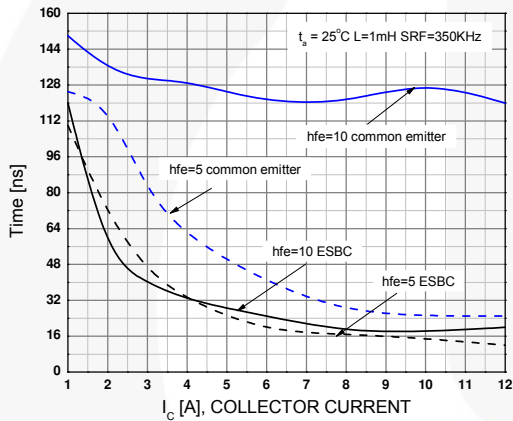


Figure 12. Inductive Load Collector Current Fall-time (t_f)

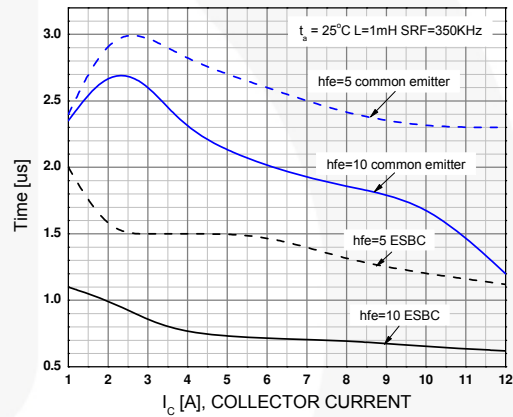


Figure 13. Inductive Load Collector Current Storage time (t_{stg})

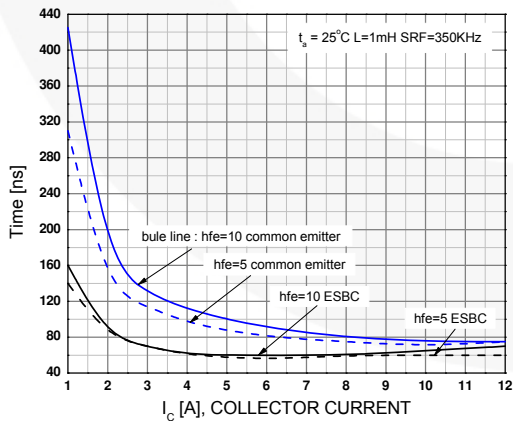


Figure 14. Inductive Load Collector Voltage Fall-time (t_f)

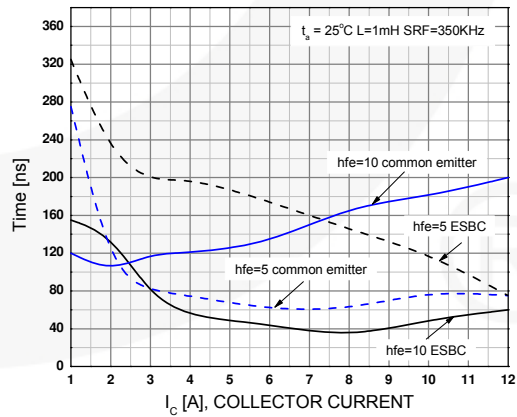


Figure 15. Inductive Load Collector Voltage Rise-time (t_r)

Typical Performance Characteristics (Continued)

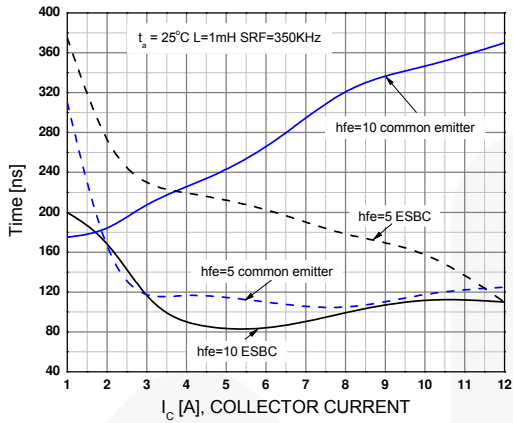


Figure 16. Inductive Load Collector Current / Voltage Crossover (t_c)

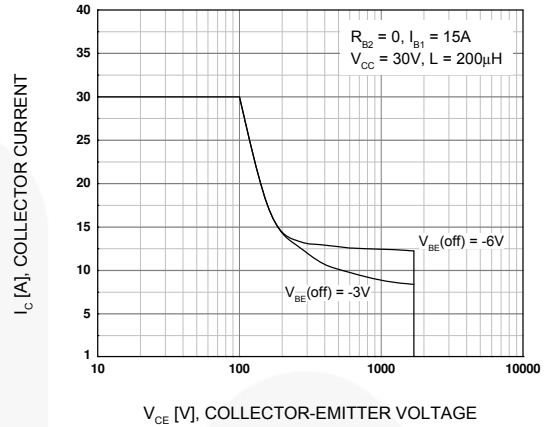


Figure 17. Reverse Bias Safe Operating Area

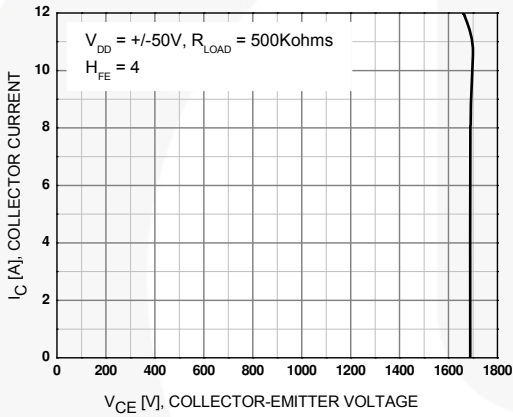


Figure 18. ESBC RBSOA

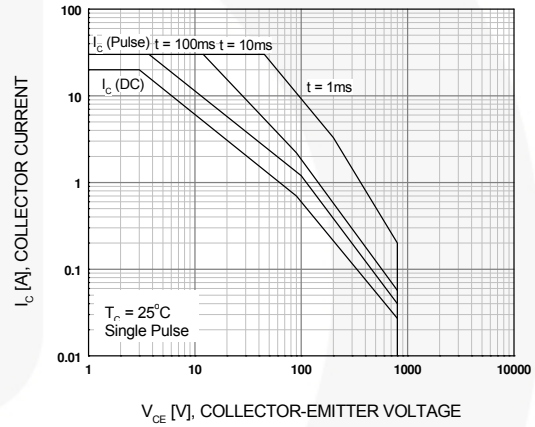


Figure 19. Forward Bias Safe Operating Area

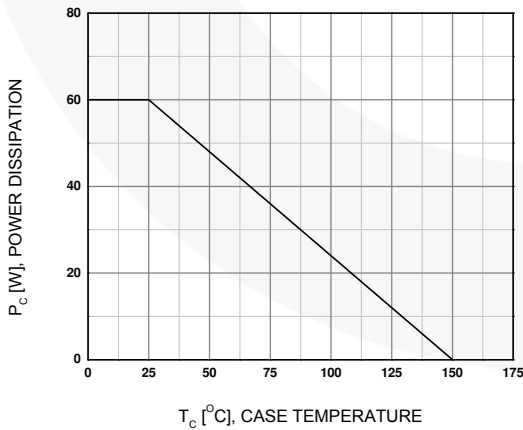


Figure 20. Power Derating

Test Circuits

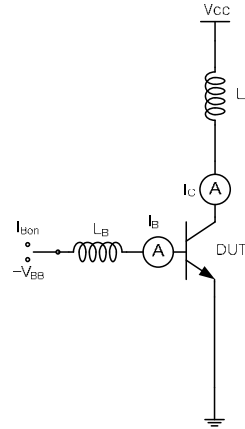
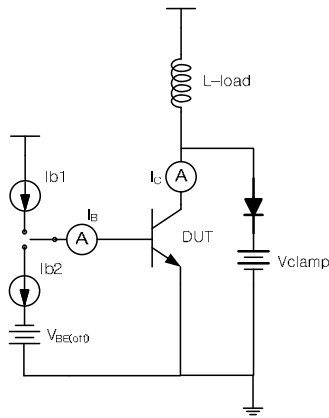


Figure 21. Test Circuit For Inductive Load and Reverse Bias Safe Operating

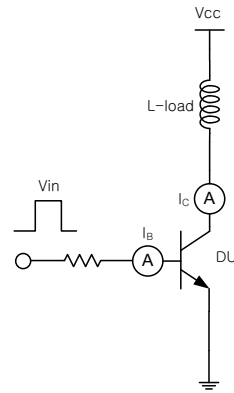
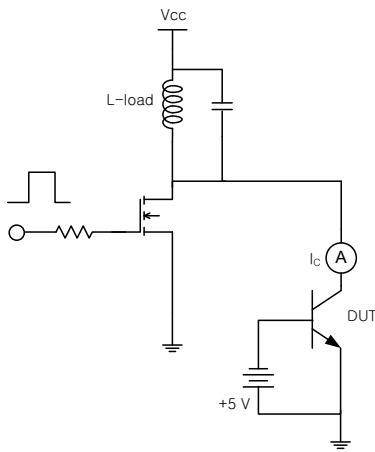


Figure 22. Energy Rating Test Circuit

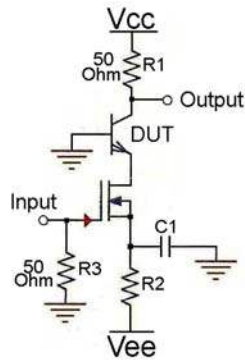


Figure 23. f_T Measurement

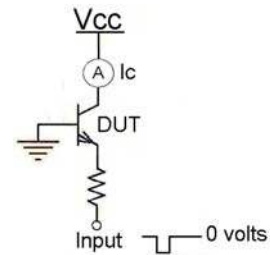


Figure 24. FBSOA

Test Circuits (Continued)

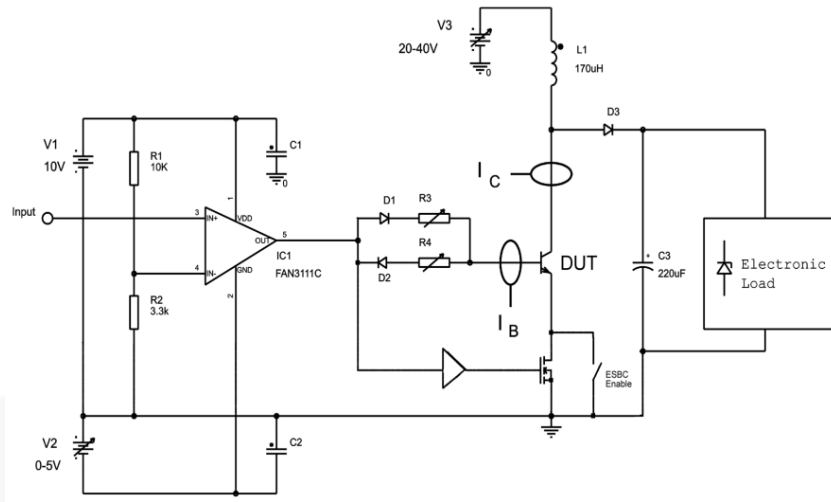


Figure 25. Simplified Saturated Switch Driver Circuit

Functional Test Waveforms

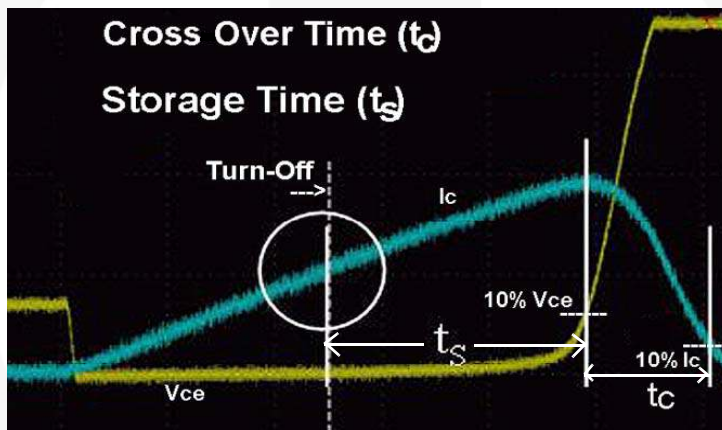


Figure 26. Crossover Time Measurement

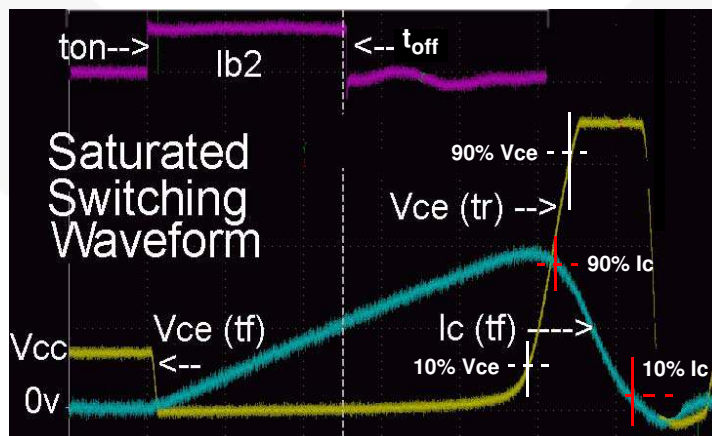


Figure 27. Saturated Switching Waveform

Functional Test Waveforms (Continued)

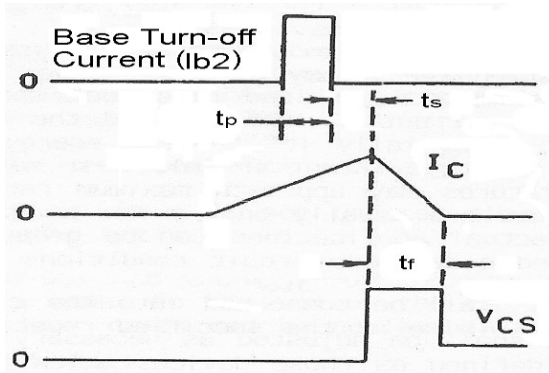


Figure 28. Storage Time - Common Emitter
Base turn off (I_{b2}) to I_C Fall-Time

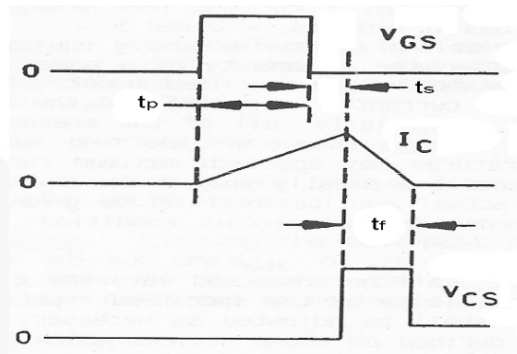
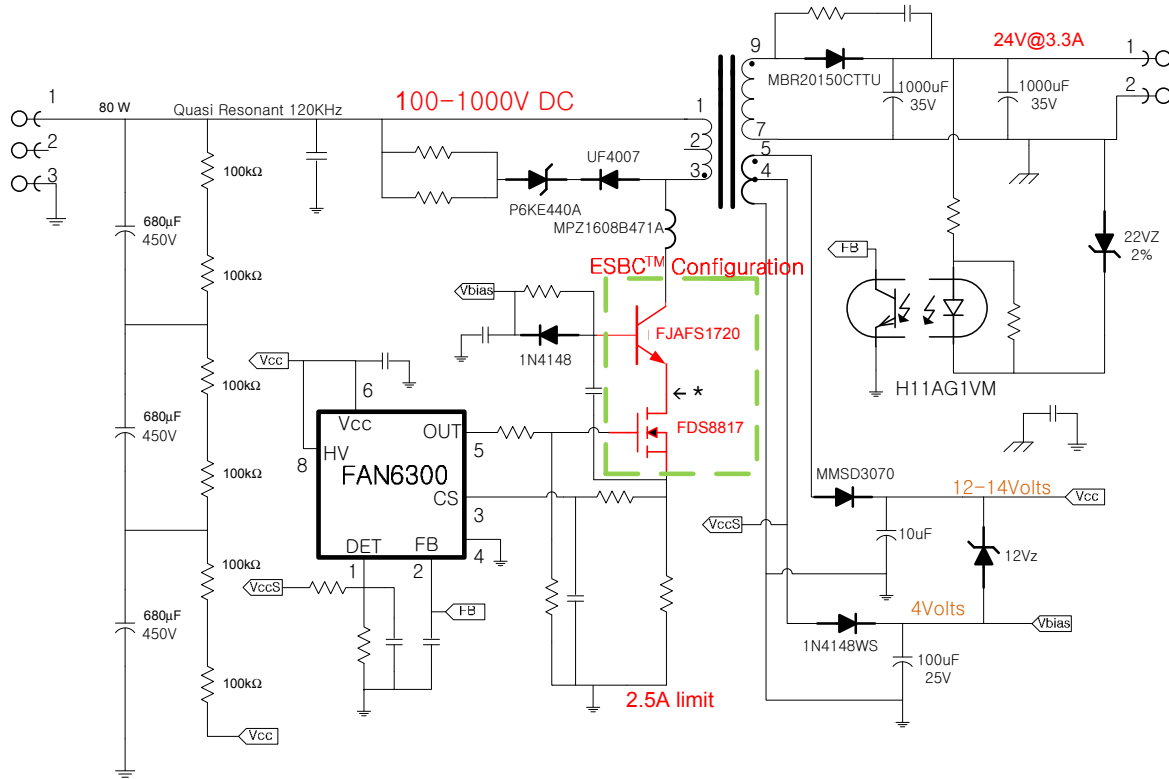


Figure 29. Storage Time - ESBC FET
Gate (off) to I_C Fall-Time



Very Wide Input Voltage Range Supply

- 80 W; Secondary-Side Regulation: 3 Capacitor Input; Quasi Resonant



* Make short as possible

Driving ESBC Switches

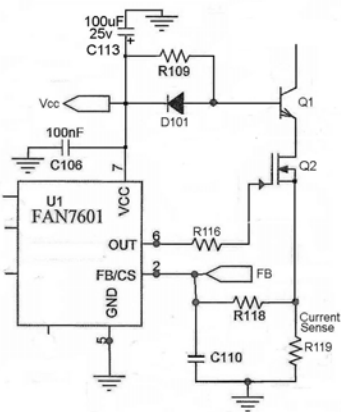


Figure30. V_{CC} Derived

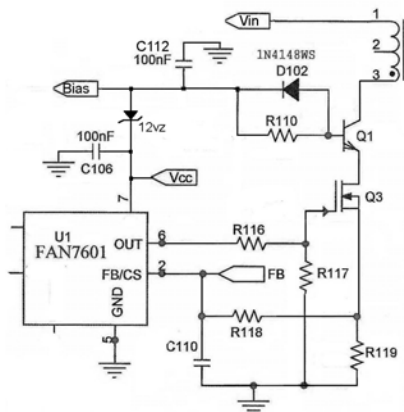


Figure31. V_{bias} Supply Derived

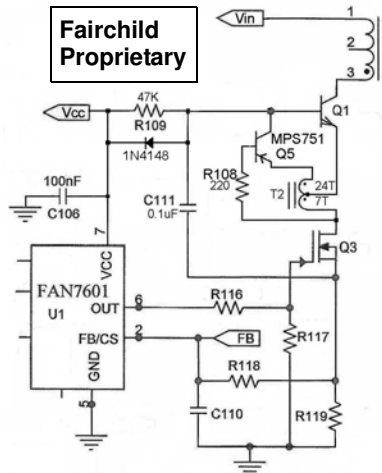


Figure32. Proportional Drive

Physical Dimensions

TO-3PF

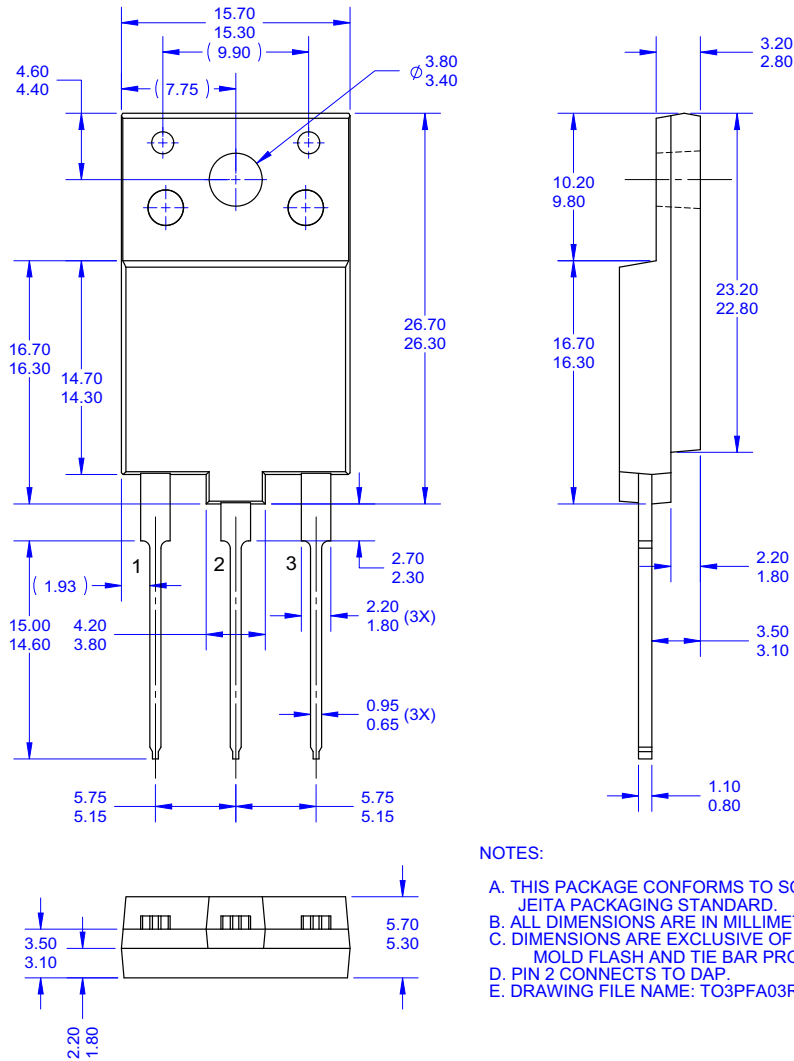


Figure 33. TO3PF, MOLDED, 3LD, FULLPACK (AG)

Package drawings are provided as a service to customers considering Fairchild components. Drawings may change in any manner without notice. Please note the revision and/or date on the drawing and contact a Fairchild Semiconductor representative to verify or obtain the most recent revision. Package specifications do not expand the terms of Fairchild's worldwide terms and conditions, specifically the warranty therein, which covers Fairchild products.

Always visit Fairchild Semiconductor's online packaging area for the most recent package drawings:
<http://www.fairchildsemi.com/packaging/>

For current tape and reel specifications, visit Fairchild Semiconductor's online packaging area:
<http://www.fairchildsemi.com/dwg/TO/TO3PFA03.pdf>



TRADEMARKS

The following includes registered and unregistered trademarks and service marks, owned by Fairchild Semiconductor and/or its global subsidiaries, and is not intended to be an exhaustive list of all such trademarks.

- | | | | |
|--------------------------|--|---------------------------------------|------------------|
| 2Cool™ | FPS™ | | Sync-Lock™ |
| AccuPower™ | F-PFS™ | PowerTrench® | |
| AX-CAP®* | FRFET® | PowerXS™ | TinyBoost™ |
| BitSiC™ | Global Power Resource SM | Programmable Active Droop™ | TinyBuck™ |
| Build it Now™ | GreenBridge™ | QFET® | TinyCalc™ |
| CorePLUS™ | Green FPS™ | QS™ | TinyLogic® |
| CorePOWER™ | Green FPS™ e-Series™ | Quiet Series™ | TINYOPTO™ |
| CROSSVOLT™ | Gmax™ | RapidConfigure™ | TinyPower™ |
| CTL™ | GTO™ | | TinyPWM™ |
| Current Transfer Logic™ | IntelliMAX™ | Saving our world, 1mW/W/kW at a time™ | TinyWire™ |
| DEUXPEED® | ISOPLANAR™ | SignalWise™ | TranSiC™ |
| Dual Cool™ | Making Small Speakers Sound Louder and Better™ | SmartMax™ | TriFault Detect™ |
| EcoSPARK® | MegaBuck™ | SMART START™ | TRUECURRENT®* |
| EfficientMax™ | MICROCOUPLER™ | Solutions for Your Success™ | µSerDes™ |
| ESBC™ | MicroFET™ | SPM® | |
| | MicroPak™ | STEALTH™ | UHC® |
| Fairchild® | MicroPak2™ | SuperFET® | Ultra FRFET™ |
| Fairchild Semiconductor® | MillerDrive™ | SuperSOT™-3 | UniFET™ |
| FACT Quiet Series™ | MotionMax™ | SuperSOT™-6 | VCX™ |
| FACT® | mWSaver™ | SuperSOT™-8 | VisualMax™ |
| FAST® | OptoHiT™ | SupreMOS® | VoltagePlus™ |
| FastvCore™ | OPTOLOGIC® | SyncFET™ | XS™ |
| FETBench™ | OPTOPLANAR® | | |

* Trademarks of System General Corporation, used under license by Fairchild Semiconductor.

DISCLAIMER

FAIRCHILD SEMICONDUCTOR RESERVES THE RIGHT TO MAKE CHANGES WITHOUT FURTHER NOTICE TO ANY PRODUCTS HEREIN TO IMPROVE RELIABILITY, FUNCTION, OR DESIGN. FAIRCHILD DOES NOT ASSUME ANY LIABILITY ARISING OUT OF THE APPLICATION OR USE OF ANY PRODUCT OR CIRCUIT DESCRIBED HEREIN; NEITHER DOES IT CONVEY ANY LICENSE UNDER ITS PATENT RIGHTS, NOR THE RIGHTS OF OTHERS. THESE SPECIFICATIONS DO NOT EXPAND THE TERMS OF FAIRCHILD'S WORLDWIDE TERMS AND CONDITIONS, SPECIFICALLY THE WARRANTY THEREIN, WHICH COVERS THESE PRODUCTS.

LIFE SUPPORT POLICY

FAIRCHILD'S PRODUCTS ARE NOT AUTHORIZED FOR USE AS CRITICAL COMPONENTS IN LIFE SUPPORT DEVICES OR SYSTEMS WITHOUT THE EXPRESS WRITTEN APPROVAL OF FAIRCHILD SEMICONDUCTOR CORPORATION.

As used herein:

1. Life support devices or systems are devices or systems which, (a) are intended for surgical implant into the body or (b) support or sustain life, and (c) whose failure to perform when properly used in accordance with instructions for use provided in the labeling, can be reasonably expected to result in a significant injury of the user.
2. A critical component in any component of a life support, device, or system whose failure to perform can be reasonably expected to cause the failure of the life support device or system, or to affect its safety or effectiveness.

ANTI-COUNTERFEITING POLICY

Fairchild Semiconductor Corporation's Anti-Counterfeiting Policy. Fairchild's Anti-Counterfeiting Policy is also stated on our external website, www.fairchildsemi.com, under Sales Support.

Counterfeiting of semiconductor parts is a growing problem in the industry. All manufacturers of semiconductor products are experiencing counterfeiting of their parts. Customers who inadvertently purchase counterfeit parts experience many problems such as loss of brand reputation, substandard performance, failed applications, and increased cost of production and manufacturing delays. Fairchild is taking strong measures to protect ourselves and our customers from the proliferation of counterfeit parts. Fairchild strongly encourages customers to purchase Fairchild parts either directly from Fairchild or from Authorized Fairchild Distributors who are listed by country on our web page cited above. Products customers buy either from Fairchild directly or from Authorized Fairchild Distributors are genuine parts, have full traceability, meet Fairchild's quality standards for handling and storage and provide access to Fairchild's full range of up-to-date technical and product information. Fairchild and our Authorized Distributors will stand behind all warranties and will appropriately address any warranty issues that may arise. Fairchild will not provide any warranty coverage or other assistance for parts bought from Unauthorized Sources. Fairchild is committed to combat this global problem and encourage our customers to do their part in stopping this practice by buying direct or from authorized distributors.

PRODUCT STATUS DEFINITIONS

Definition of Terms

Datasheet Identification	Product Status	Definition
Advance Information	Formative / In Design	Datasheet contains the design specifications for product development. Specifications may change in any manner without notice.
Preliminary	First Production	Datasheet contains preliminary data; supplementary data will be published at a later date. Fairchild Semiconductor reserves the right to make changes at any time without notice to improve design.
No Identification Needed	Full Production	Datasheet contains final specifications. Fairchild Semiconductor reserves the right to make changes at any time without notice to improve the design.
Obsolete	Not In Production	Datasheet contains specifications on a product that is discontinued by Fairchild Semiconductor. The datasheet is for reference information only.

ON Semiconductor and  are trademarks of Semiconductor Components Industries, LLC dba ON Semiconductor or its subsidiaries in the United States and/or other countries. ON Semiconductor owns the rights to a number of patents, trademarks, copyrights, trade secrets, and other intellectual property. A listing of ON Semiconductor's product/patent coverage may be accessed at www.onsemi.com/site/pdf/Patent-Marking.pdf. ON Semiconductor reserves the right to make changes without further notice to any products herein. ON Semiconductor makes no warranty, representation or guarantee regarding the suitability of its products for any particular purpose, nor does ON Semiconductor assume any liability arising out of the application or use of any product or circuit, and specifically disclaims any and all liability, including without limitation special, consequential or incidental damages. Buyer is responsible for its products and applications using ON Semiconductor products, including compliance with all laws, regulations and safety requirements or standards, regardless of any support or applications information provided by ON Semiconductor. "Typical" parameters which may be provided in ON Semiconductor data sheets and/or specifications can and do vary in different applications and actual performance may vary over time. All operating parameters, including "Typicals" must be validated for each customer application by customer's technical experts. ON Semiconductor does not convey any license under its patent rights nor the rights of others. ON Semiconductor products are not designed, intended, or authorized for use as a critical component in life support systems or any FDA Class 3 medical devices or medical devices with a same or similar classification in a foreign jurisdiction or any devices intended for implantation in the human body. Should Buyer purchase or use ON Semiconductor products for any such unintended or unauthorized application, Buyer shall indemnify and hold ON Semiconductor and its officers, employees, subsidiaries, affiliates, and distributors harmless against all claims, costs, damages, and expenses, and reasonable attorney fees arising out of, directly or indirectly, any claim of personal injury or death associated with such unintended or unauthorized use, even if such claim alleges that ON Semiconductor was negligent regarding the design or manufacture of the part. ON Semiconductor is an Equal Opportunity/Affirmative Action Employer. This literature is subject to all applicable copyright laws and is not for resale in any manner.

PUBLICATION ORDERING INFORMATION

LITERATURE FULFILLMENT:

Literature Distribution Center for ON Semiconductor
19521 E. 32nd Pkwy, Aurora, Colorado 80011 USA
Phone: 303-675-2175 or 800-344-3860 Toll Free USA/Canada
Fax: 303-675-2176 or 800-344-3867 Toll Free USA/Canada
Email: orderlit@onsemi.com

N. American Technical Support: 800-282-9855 Toll Free
USA/Canada
Europe, Middle East and Africa Technical Support:
Phone: 421 33 790 2910
Japan Customer Focus Center
Phone: 81-3-5817-1050

ON Semiconductor Website: www.onsemi.com
Order Literature: <http://www.onsemi.com/orderlit>
For additional information, please contact your local
Sales Representative