



- 100/1000 Base-T Gigabit for Ethernet Applications
- For PoE+ applications, meets IEEE 802.3at Specification
- Designed to support applications such as SOHO (ADSL modems), LOM, Hub and Switches
- Operating Temperature Range: -40°C to + 85°C



Electrical Specifications @ 25°C

OCL(μH Min) @100KHz, 0.1V With 18.3mA DC Bias	Turns Ratio (±2%)	Insertion Loss (dB Typ)	Return Loss (dB Typ @100Ω ±15Ω)		
		1-100MHz	1-40 MHz	60 MHz	100 MHz
350	1CT : 1CT	-1.4	-18	-14	-10

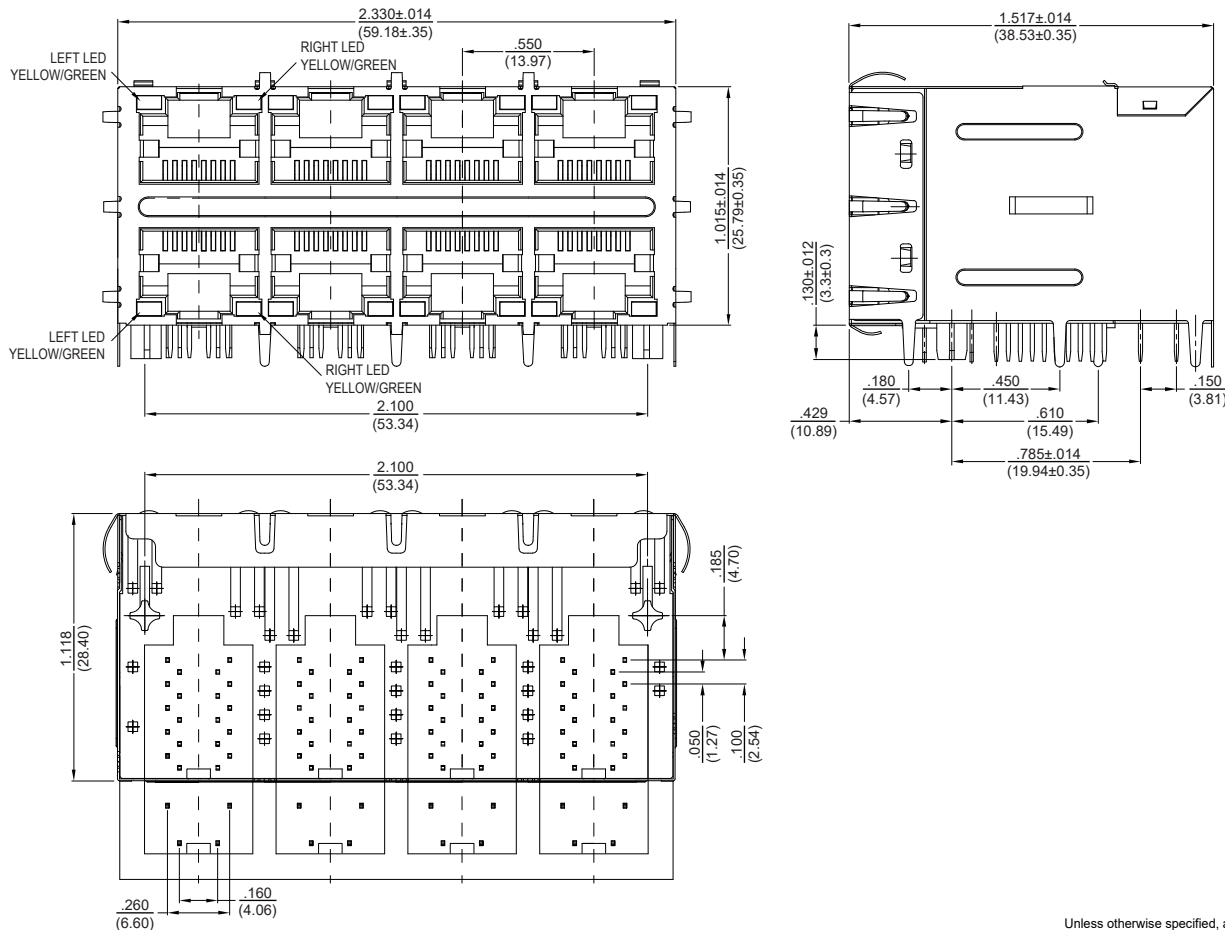
Electrical Specifications @ 25°C

Crosstalk (dB Typ)			Common Mode Rejection (dB Typ)		HiPot Vdc Min
1-10MHz	30-60MHz	60-100MHz	1-10MHz	10-150MHz	
-50	-41	-31	-50	-30	2250

All specifications subject to change without notice.

MECHANICAL

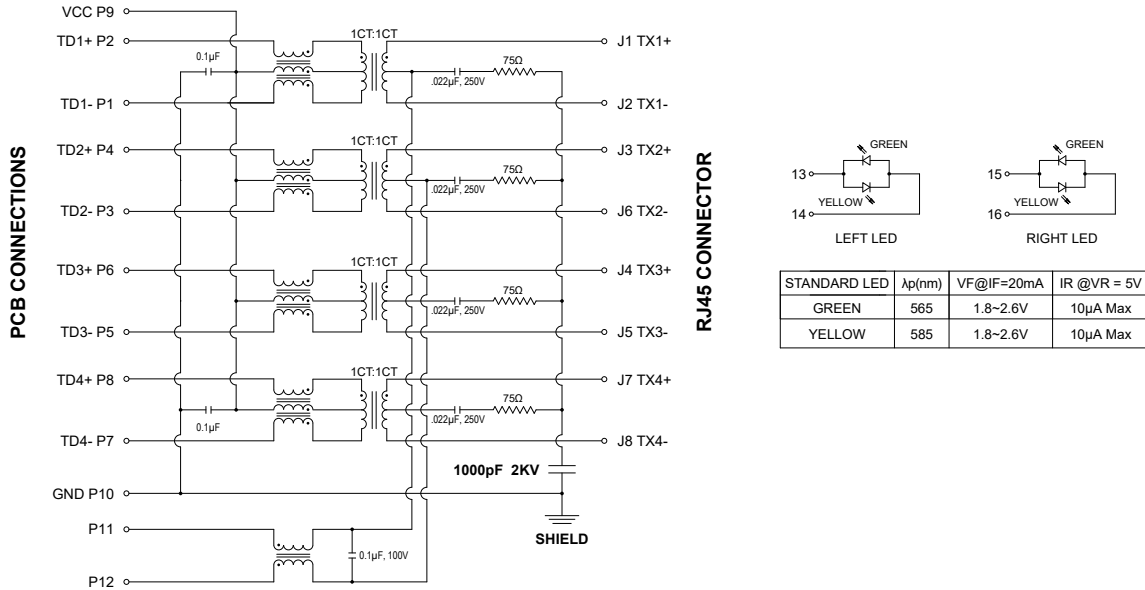
DIMENSIONS: $\frac{\text{inch}}{\text{mm}}$



Unless otherwise specified, all dimensions tolerances are ±.008 (.20)



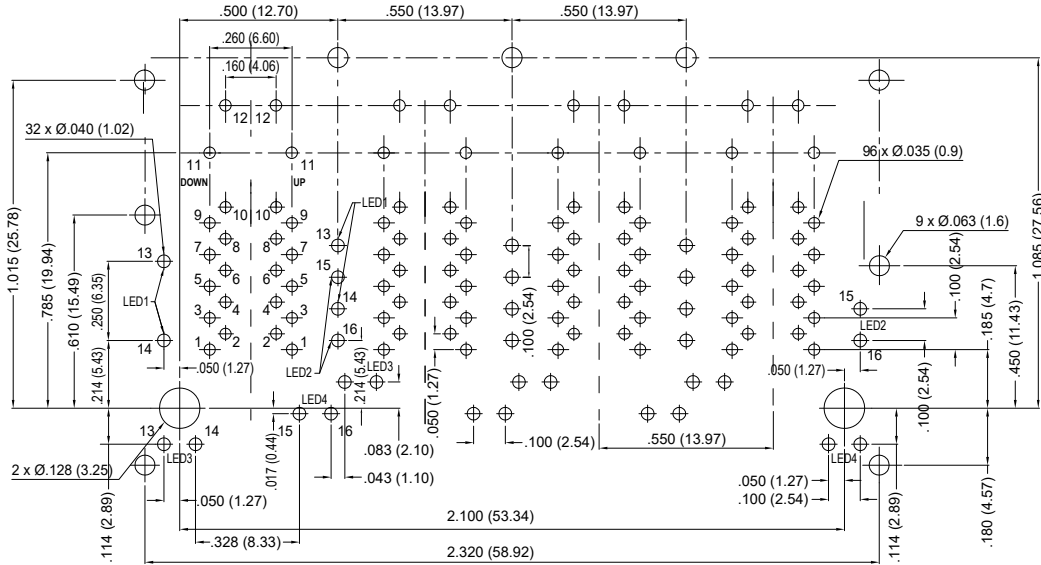
SCHEMATICS



STANDARD LED	λp(nm)	VF@IF=20mA	IR @VR = 5V
GREEN	565	1.8-2.6V	10µA Max
YELLOW	585	1.8-2.6V	10µA Max

PCB LAYOUT

DIMENSIONS: inch (mm)



Unless otherwise specified, all dimensions tolerances are ±.008 (.20)

NOTES

- Connector Materials:
Housing: Thermoplastic UL94V-0
Contact/Shield: Copper Alloy
Shield Plating: Nickel
Contact Plating: Gold 6µ" min in contact area
- Wave Solder Peak Temp: 265°C Max, 5 Sec