

6

5

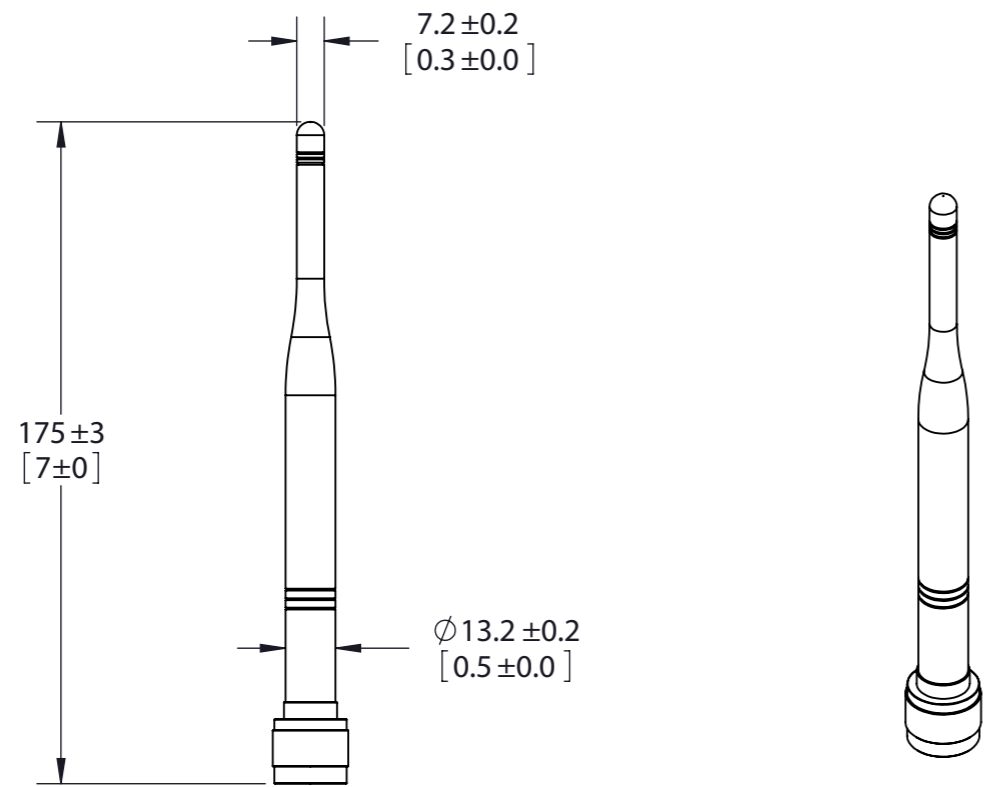
4

3

2

1

REVISIONS					
REV.	ECR#	ZONE	DESCRIPTION	CHANGED BY/DATE	APPROVED BY/DATE
AA			INITIAL RELEASE	TB 03-19-09	TB 03-19-09



PARAMETER	PERFORMANCE
Model Number	RD2458-5-NM
Antenna Type	Dipole - Tri-Band
Frequency	2.4-2.5/5.15-5.35/5.725-5.85 GHz
Gain	5dBi TYP
Input Impedance	50 Ohms
VSWR	2.0:1 Max.
Polarization	Linear
RF Connector	N-Male
Radome	Black, TPEE

MATERIAL: N/A	THIRD ANGLE PROJECTION				
FINISH: N/A	DO NOT SCALE DRAWING				
APPROVALS	DATE	<p>RD2458-5-NM</p>			
DRAWN BY T.BOWSER	03-19-09				
PROJ. ENG J.MORROW	03-27-09				
APPL. MECH. K.SEARL	03-27-09				
MFG. I.CHICKLIS	03-27-09	<p>INTERPRET DIMENSIONING AND TOLERANCING IN ACCORDANCE WITH ASME Y14.5M-1994</p> <p>TOLERANCES UNLESS OTHERWISE SPECIFIED</p> <p>DIMENSIONS ARE IN MILLIMETERS</p> <p>ANGLE: ±30' 0 PLACE DECIMAL: ±0.5 1 PLACE DECIMAL: ±0.25 2 PLACE DECIMAL: ±0.13</p> <p>SURFACE ROUGHNESS 1.6/√</p>	<p>SIZE A3</p> <p>SCALE: 1:2</p>	<p>DWG. NO. RD2458-5-NMMO</p> <p>PREVIOUS#</p>	<p>REV AA</p> <p>SHEET 1 OF 1</p>

THIS DRAWING IS UNPUBLISHED. RELEASED FOR PUBLICATION - , - .

© Copyright 2022 TE Connectivity Ltd. ALL RIGHTS RESERVED.

6

5

4

3

2

1