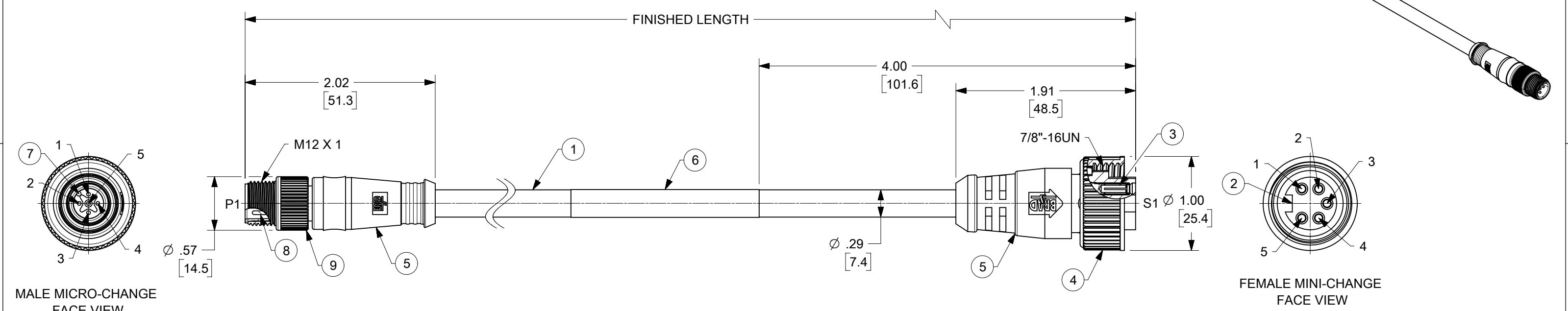


10	9	8	7	6	5	4	3	2	1
MATERIAL NO.	ENGINEERING NO.	FINISHED LENGTH							
1300102156	185030A05M010	1.00 M (3.28 FT)							



MALE MICRO-CHANGE FACE VIEW

FEMALE MINI-CHANGE FACE VIEW

P1		S1
1	BROWN	1
2	WHITE	2
3	BLUE	3
4	BLACK	4
5	GRAY	5

WIRING DIAGRAM

NOTES:

1. MATERIAL: SEE TABLE
2. FINISHES: SEE TABLE
3. ELECTRICAL SPECIFICATIONS
VOLT AGE RATING: 250V AC/DC
CURRENT RATING: 4 AMPS
4. PROTECTION: IP67 WHEN FULLY MATED
5. TEMPERATURE: -40°C TO +105°C
6. DIMS SHOWN ARE FOR REFERENCE ONLY UNLESS OTHERWISE SPECIFIED

CABLE LENGTH TOLERANCES	
>.3M [1FT]:	+19mm-0 [+ .75in-0]
.3 - .9M [1 - 3FT]:	+44.5mm-0 [+1.75in-0]
.9 - 1.8M [3 - 6FT]:	+55.6mm-0 [+2.19in-0]
1.8 - 3.7M [6 - 12FT]:	+88.9mm-0 [+3.50in-0]
3.7 - 7.3M [12 - 24FT]:	+165.1mm-0 [+6.50in-0]
7.3-14.6M [24 - 48FT]:	+317.5mm-0 [+12.50in-0]
14.6 - 30.5M [48-100FT]:	+622.3mm-0 [+24.50in-0]
OVER 30M [100FT]	+2% OF FINISHED LENGTH

ITEM	DESCRIPTION	MATERIAL	FINISH
9	MIC MALE COUPLER	DIE CAST ZINC	BLACK
8	PIN CONTACT	Cu ALLOY	GOLD PLATED
7	MIC INSERT 5P	NYLON	BLACK
6	WRAP LABEL	VINYL	BLACK/YELLOW
5	OVERMOLD	TPE	YELLOW
4	MC COUPLING NUT	DIE CAST ZINC	BLACK
3	CONTACT SOCKET	Cu ALLOY	GOLD PLATED
2	MC INSERT 5P	TPE	BLACK
1	CABLE #18-5	PVC	YELLOW

185030A05M010

LENGTH
M001 = .1 METERS
M010 = 1.0 METERS
M100 = 10 METERS

PART NUMBER MATRIX

SYMBOLS		THIS DRAWING CONTAINS INFORMATION THAT IS PROPRIETARY TO MOLEX ELECTRONIC TECHNOLOGIES, LLC AND SHOULD NOT BE USED WITHOUT WRITTEN PERMISSION	
▽ = 0	DIMENSION UNITS	SCALE	CURRENT REV DESC: RELEASE
▽ = 0	HYBRID	1:1	
▽ = 0	GENERAL TOLERANCES (UNLESS SPECIFIED)		
▽ = 0	ANGULAR TOL	± °	
▽ = 0	4 PLACES	±	EC NO: 608425
▽ = 0	3 PLACES	±	DRWN: MZIELINSKI 2018/11/29
▽ = 0	2 PLACES	±	CHK'D: RSTONE 2018/12/12
▽ = 0	1 PLACE	±	APPR: BWOODMAN 2019/01/02
▽ = 0	0 PLACES	±	INITIAL REVISION:
▽ = 0	DRAFT WHERE APPLICABLE MUST REMAIN WITHIN DIMENSIONS		DRWN: MZIELINSKI 2018/11/29
▽ = 0	THIRD ANGLE PROJECTION		APPR: BWOODMAN 2019/01/02
	DRAWING	SERIES	DOCUMENT NUMBER
	B-SIZE	130010	1300102156
	MATERIAL NUMBER		DOC TYPE
	SEE CHART		PSD
	CUSTOMER		DOC PART
			000
	SHEET NUMBER		REVISION
	1 OF 1		A

DOCUMENT STATUS	P1	RELEASE DATE	2019/01/02	15:53:10
-----------------	----	--------------	------------	----------