

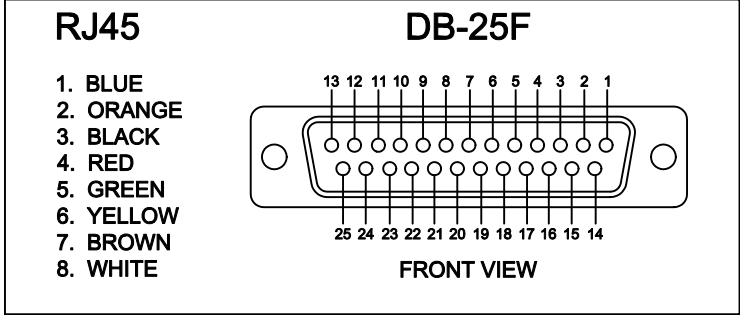
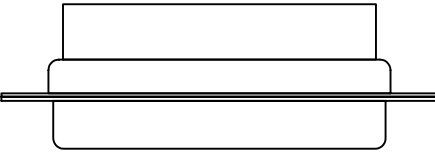
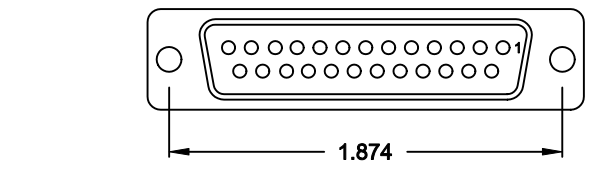
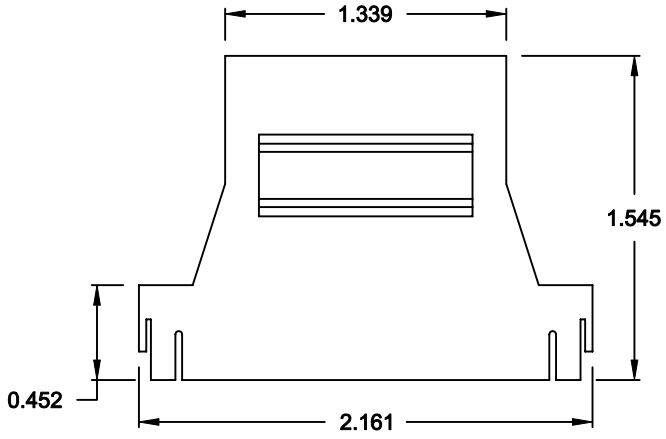
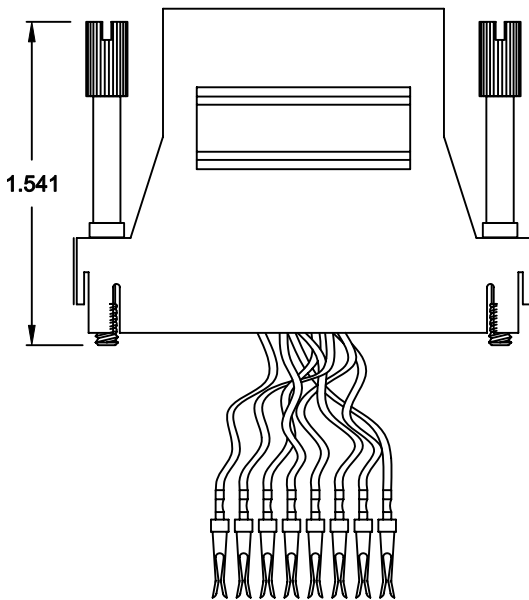
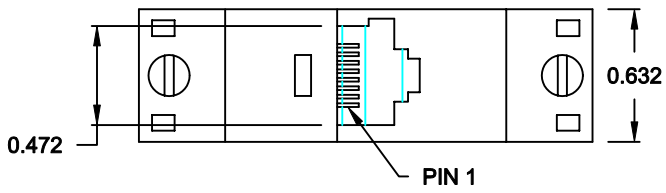
DESCRIPTION: RJ-45 TO 25-POSITION FEMALE D-SUB - PLASTIC & METALIZED PLASTIC

MATERIAL:

HOOD: ABS UL 94V-HB

RJADK25S70808Y1

- SERIES _____
- POSITIONS _____
- 25 _____
- GENDER _____
- S = FEMALE _____
- D-SUB TERMINALS _____
- 7 = CRIMP & POKE (CONTACTS PRE-CRIMPED) _____
- MODULAR POSITIONS _____
- 08 _____
- MODULAR POSITIONS LOADED _____
- 08 _____
- COLOR _____
- 1 = BLACK _____
- 2 = METALIZED (SHIELD RATING: 60dB) _____
- 3 = GRAY _____
- D-SUB CONTACT PLATING _____
- 1 = GOLD FLASH _____



DO NOT SCALE FROM DRAWING

RoHS COMPLIANT

	THESE DRAWINGS AND SPECIFICATIONS ARE THE PROPERTY OF NorComp AND SHALL NOT BE REPRODUCED, COPIED OR USED AS THE BASIS FOR THE MANUFACTURE OF SALE OF APPARATUS WITHOUT WRITTEN PERMISSION.		DRAWN: C. SMITH	DATE: 05-14-07
			CHECKED:	DATE:
NorComp		SCALE: N.T.S.	SHEET 1	OF 1
		DWG NO. RJADK25S70808Y1		