

Ratings

Voltage: 300 V
 Temperature: -40~105 °C
 Flammability: VW-1

Conductor

Conductor count: 5
 Gauge: 18 AWG 0.82 mm²
 Material: tinned copper strands
 Strand size: $\varnothing 0.127 \times 65$
 Resistance at 20 °C: 23.2 Ω /km max

Insulator

Material: FEP
 Color: red, black, white, yellow, blue
 Diameter: $\varnothing 1.5 \pm 0.10$
 Nominal thickness: 0.13 mm
 Resistance at 20 °C: 10 M Ω /km min

Shield

Material: tinned copper strands
 Strand size: $\varnothing 0.1$ mm , 85% min coverage

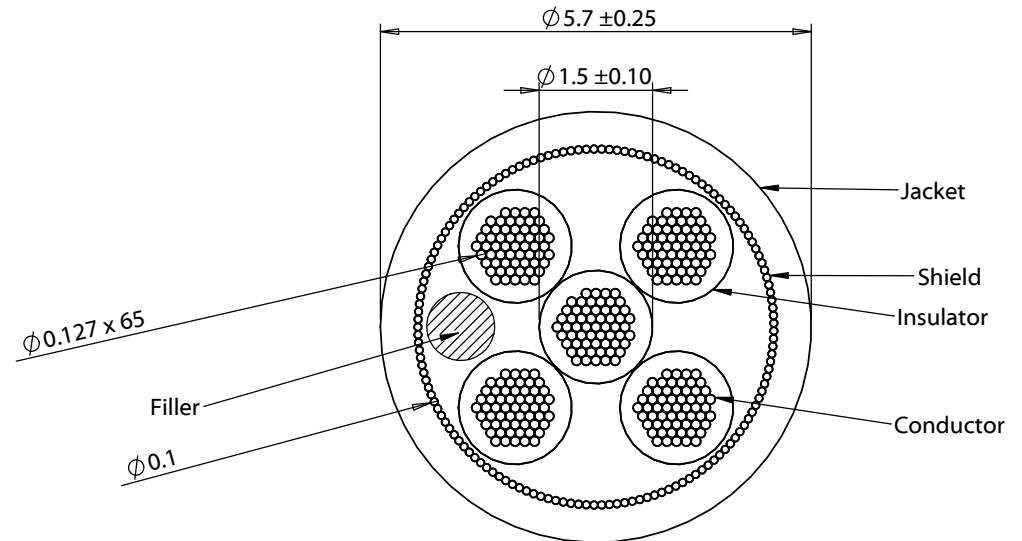
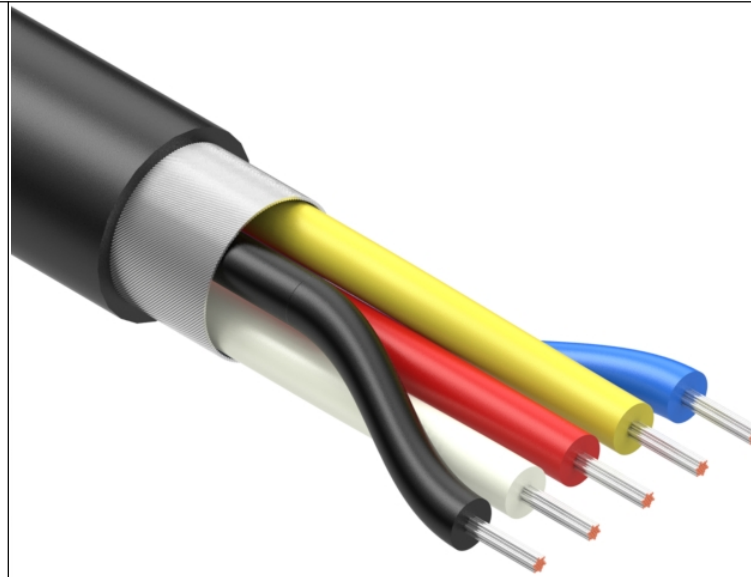
Filler

Material: aramid fiber

Outer jacket

Material: TPE, 78A
 Color: black, matte
 Diameter: $\varnothing 5.7 \pm 0.25$
 Nominal thickness: 0.6 mm

Wire marking: E339579 UL AWM STYLE 21296 18 AWG 105°C
 300V VW-1 --- cUL AWM I A 105°C 300V FT1 TENSILITY DGT



Revision:	Date:	Description:	Prepared: MP <small>Digitally signed by MP Date: 2021.11.03 16:46:29 -07'00'</small>	Notes:	TENSILITY tel 1.541.323.3228 800 877.670.7118 fax 1.541.323.4202 web tensility.com
A	11/3/2021	Initial release	Verified: JD <small>Digitally signed by JD Date: 2021.11.03 17:01:57 -07'00'</small>	RoHS compliant Phthalate free Function test: no open, no short circuit, no intermittent	
			Dimensions are in millimeters. Tolerances: X: ± 0.5 mm X.X: ± 0.3 mm X.XX: ± 0.05 mm	Description: Wire, 5C TS, 18 AWG, UL 21296, 300V, 105C, 5.7 mm, shielded, VW-1, TPE	Size: A Part number: 30-02434
					Scale: 10:1 Sheet 1 of 1

5

4

3

2

1