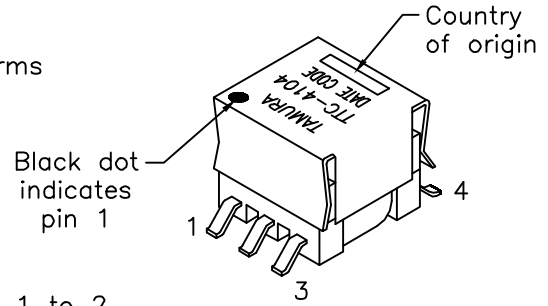


Coupled Inductor

A. Electrical Specifications (@ 25° C)

1. Inductance;  $300\mu\text{H} \pm 8\%$  @ 10KHz, 0.1Vrms Measured (1-6)
2. DC Resistance; (1-6) =  $5.20\Omega \pm 10\%$   
(2-5) =  $5.20\Omega \pm 10\%$
3. Turns Ratio; (1-6):(2-5)=1:1.00±2%
4. Dielectric Strength; 600VDC 1 second @ 1 to 2

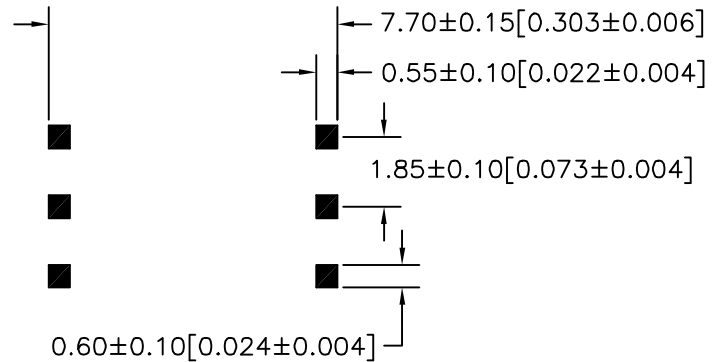
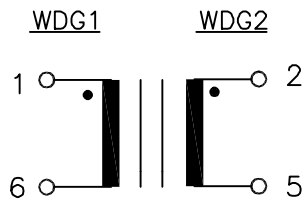


MODEL NUMBER

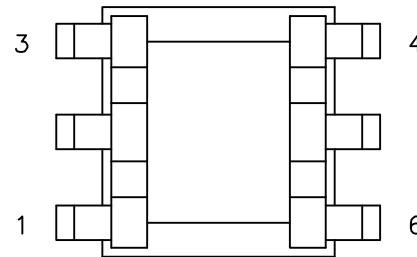
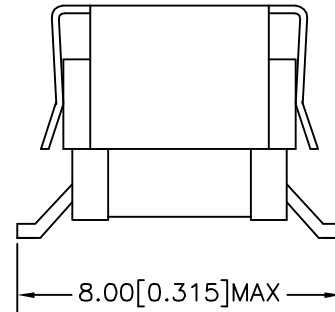
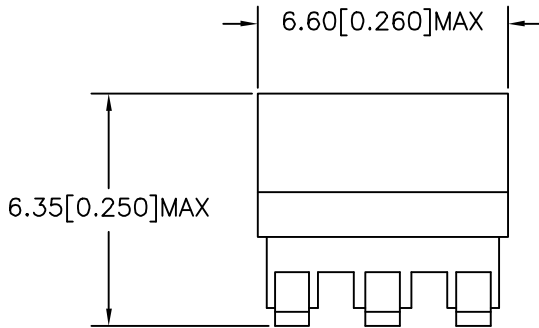
TTC-4104

B. Marking; TTC-4104, TAMURA, date code and country of origin

C. Schematic and Mounting Footprint;



D. Mechanical Specifications



PREPARED BY:

D. Rund

ENGINEER:

Y. Sekiguchi

QUALITY CONTROL:

D. Kelley

APPROVED:

J. Coleman

DWG CONTROL NO.  
P-A1-12879  
ACAD\TTC\A1128791.DWG

REV  
PRE

COUPLED  
INDUCTOR

**TAMURA CORPORATION OF AMERICA**  
43352 BUSINESS PARK DRIVE, TEMECULA, CA. 92590-6624  
(909) 699-1270 FAX 9096769482

**TTC-4104**

MODEL SPECIFICATION

DIM: mm(in) SCL: 6/1 SH: 1 OF 1

PROPRIETARY NOTICE: THIS DRAWING PRINT OR DOCUMENT AND SUBJECT MATTER DISCLOSED HEREIN ARE PROPRIETARY ITEMS TO WHICH TAMURA RETAINS THE EXCLUSIVE RIGHT OF DISSEMINATION, REPRODUCTION, MANUFACTURE AND SALE. THIS DRAWING, PRINT OR DOCUMENT IS SUBMITTED IN CONFIDENCE FOR CONSIDERATION BY THE RECIPIENT ALONE UNLESS PERMISSION FOR FURTHER DISCLOSURE IS EXPRESSLY GRANTED IN WRITING.