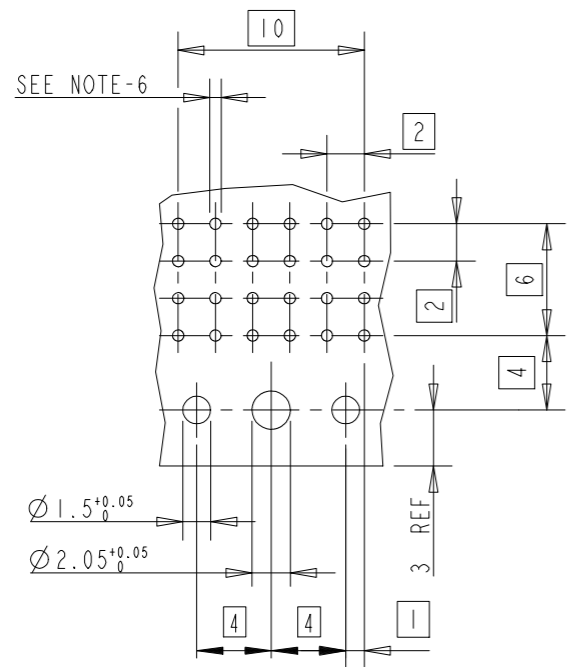
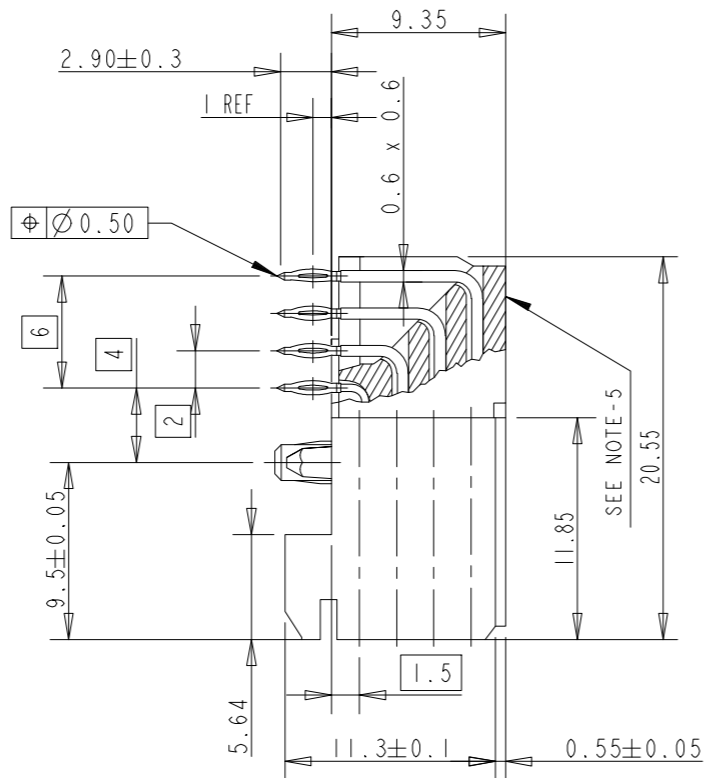
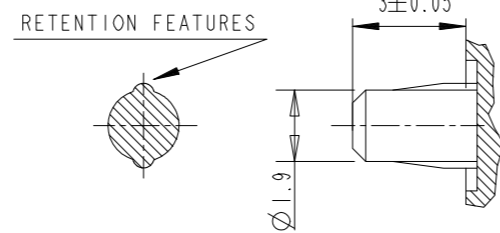


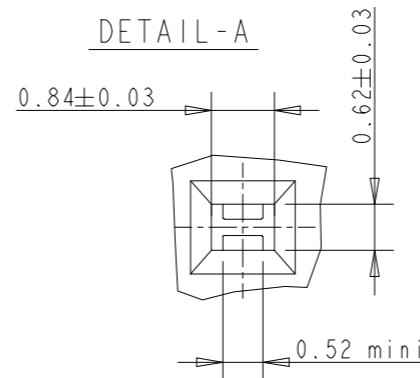
LAYOUT FOR P.C.B



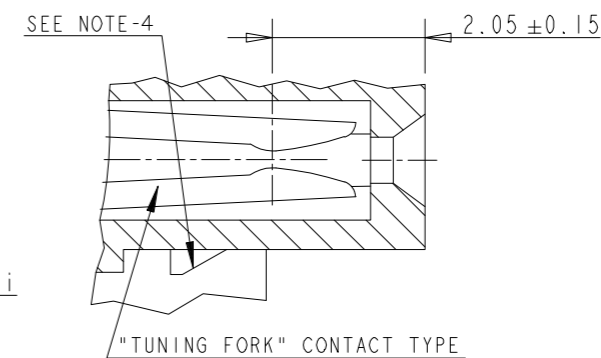
DETAIL OF PRESS-IN PEGS



DETAIL-A



SECTION-FF



GENERAL CHARACTERISTICS AND ROHS INFORMATIONS:

SEE PRODUCT SPECIFICATION GS-12-447

NOTE :

- MATERIAL : BODY : LCP UL94-V0  
: CONTACT : COPPER ALLOY.
- FOR PLATING PERFORMANCE REFER DRAWING # 10159409
- CONNECTORS WITH PCB-2.4mm ARE COMPATIBLE WITH WIDE AND NARROW BODIES
- PLUG FOR CODING KEY FIXING
- FLAT ROCK INSERTION TOOLING IN PCB, SEE DRW REF:C-8626-1003
- METALIZED HOLE DEFINITION,SEE GS-12-447
- STANDARD PACKAGING IS IN TUBE ,BUT IF SUFFIX "P" IS ADDED IN P/N ,  
PACKAGING IS IN TRAYS ,BUT CONNECTOR IS ADDED IN P/N ,PACKAGING IS IN TRAYS ,BUT CONNECTOR  
MARKING IS WITHOUT "P"  
Example: HM1FxxxxxxxHXPLF, marking: HM1FxxxxxxxHXLF
- A△SYMBOL WILL BE NEXT TO ANY DIMENSION, VIEW, OR NOTE  
WHICH HAS BEEN MODIFIED WITH THE CURRENT DRAWING REVISION.

SPECIFIC DATAS:

VISUAL INSPECTION: 100%

- marking failure
- housing material failure
- spoilt housing
- stained housing
- broken contacts (twisted or loosen)

X-PLATING CODE  
REF.DWG. 10159409

PART NUMBER :HM1F41FDP400HXLF

mat'l. code				surface ISO 1302 ✓		tolerance ISO 406 ISO 1101		projection mm		product family METRAL	
ltr				ecn no		dr		date		title	
E				LS07-0266		MLE		2005-02-24		METRAL REC. 4 ROW 1 MODULE RIGHT ANGLE PRESS-FIT SPECIF 400	
F				DG10-0039		TER		2010-01-27			
G				ELX-DG-16587		SC		2014-01-15		scale -	
H				ELX-I-38510		MINI		2020-09-29		dr SKY CHEN 2013-12-24	
J				ELX-I-42905		NIRMAL		2021-11-12		engr NIRMAL SAM 2021-11-12	
										chr ALEX BABU 2021-11-12	
										appd SAN0J 2021-11-12	
sheet index		revision sheet		J		1				dwg no C-8626-11235 sheet 1 of 1 size A3	
										type Product Customer Drawing	