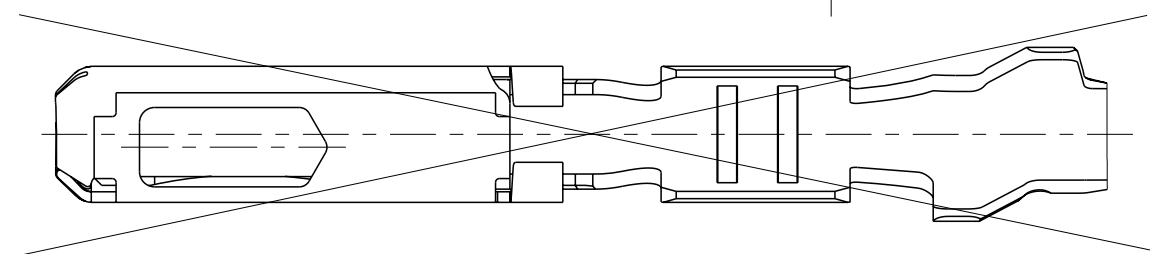
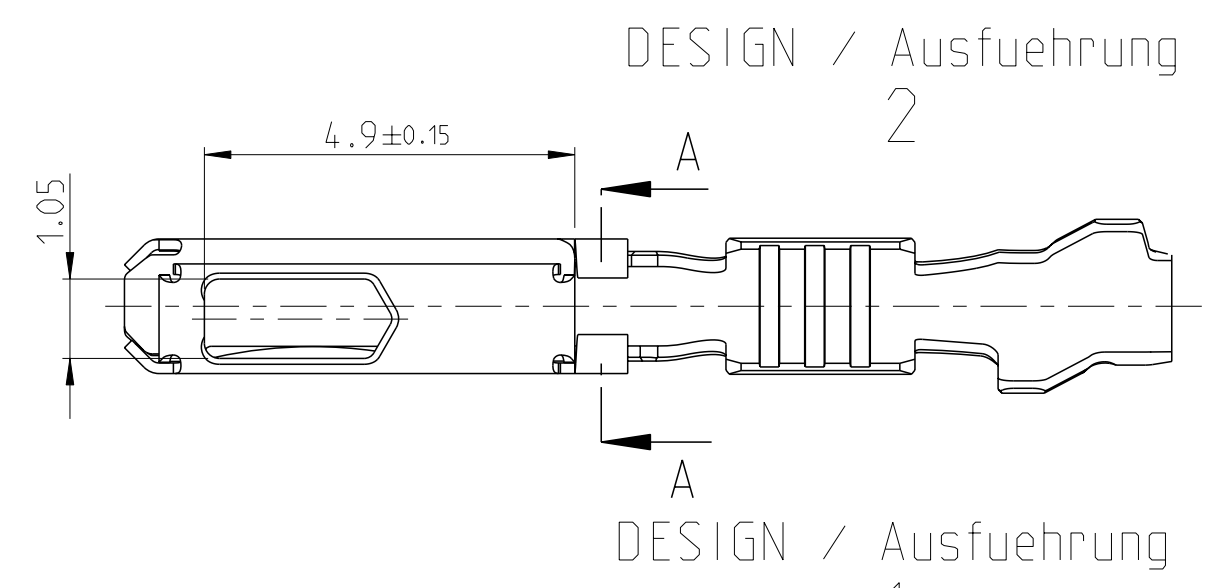
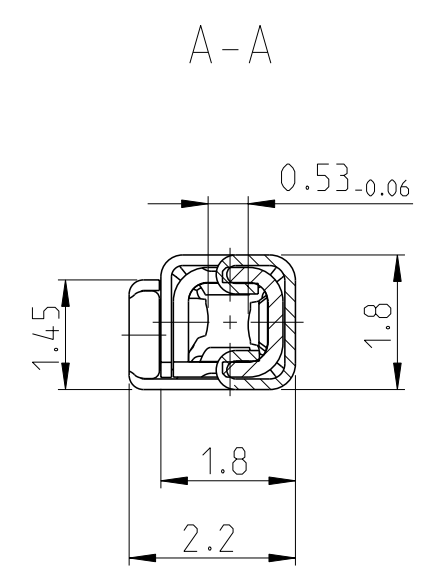
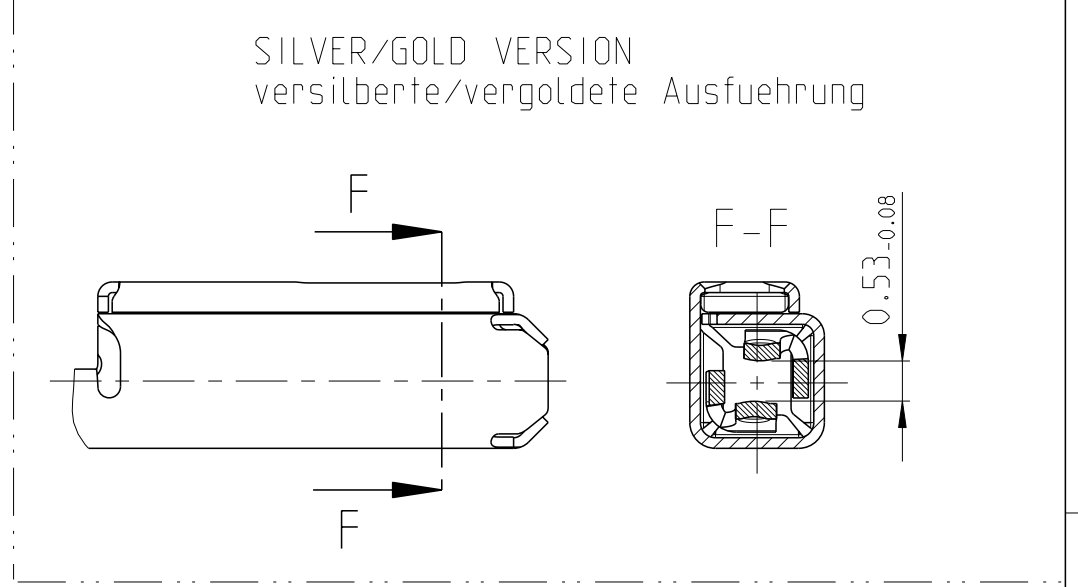
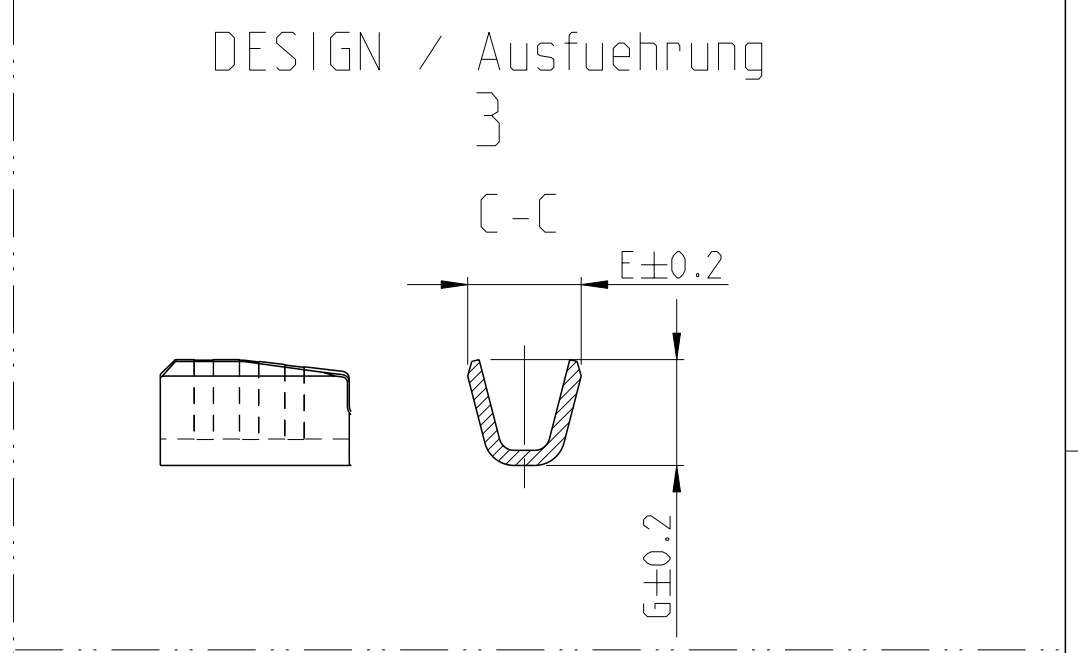
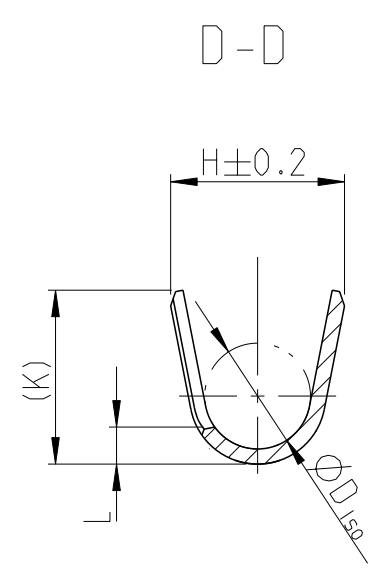
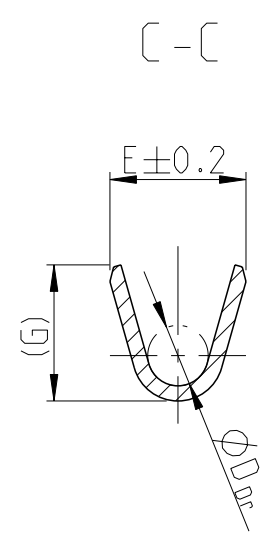
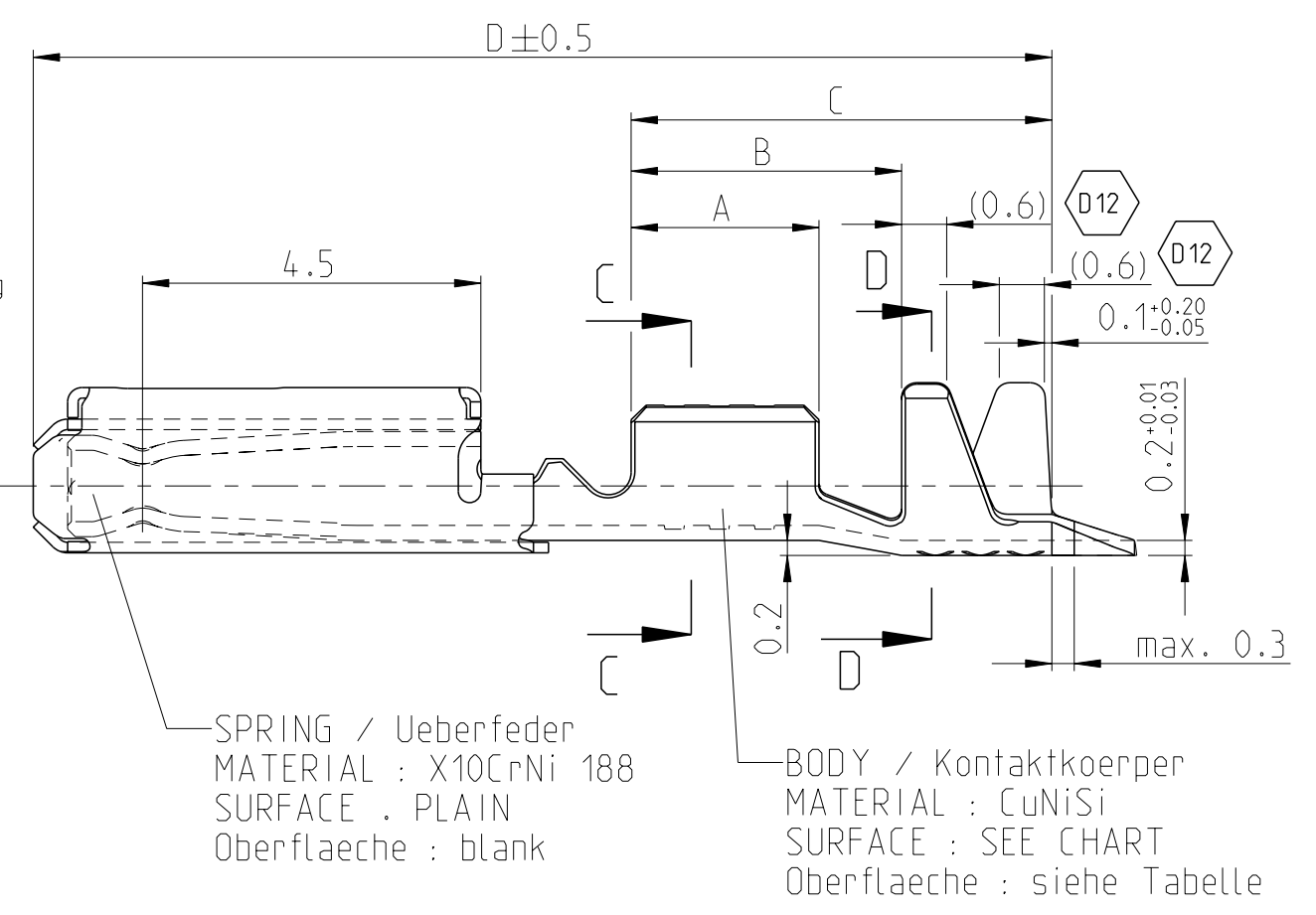
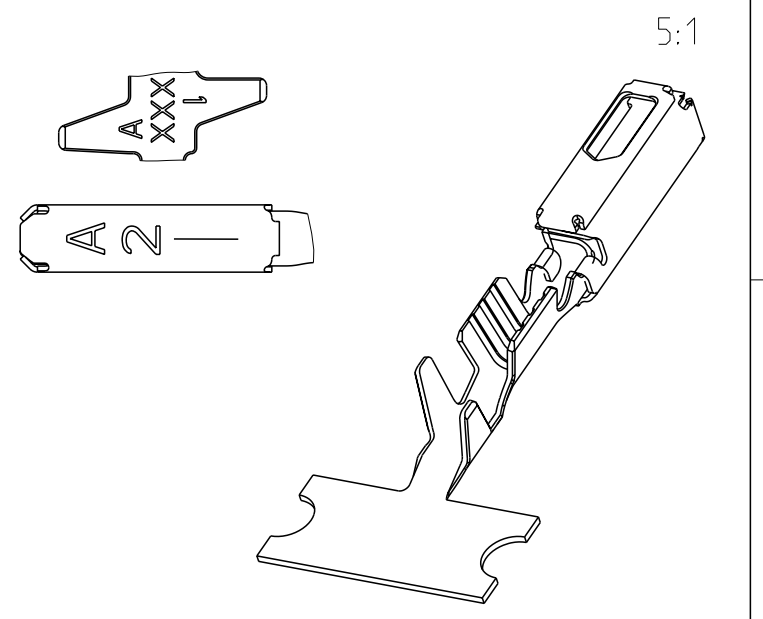


THIS DRAWING IS UNPUBLISHED. RELEASED FOR PUBLICATION 2012  
 © COPYRIGHT 2012 Tyco Electronics AMP GmbH ALL RIGHTS RESERVED.

LOC	DIST	REVISIONS					
A1	-	P	LTR	DESCRIPTION	DATE	DWN	APVD
		D9		New View for Gold Version added	03APR2019	FRAN	BERG
		D10		See PCN E-19-011079	09DEC2019	MAH.	BERG
		D11		See PCN E-20-001102	27AUG2020	MAH.	BERG
		D12		PCN-22-152671	15SEP2022	FRAN	UTZ



- NOTES  
 Bemerkungen
- SUITABLE FOR PIN CONTACT SEE DRAWING: TE: 929453  
 Passend zu Stiftkontakt siehe Zeichnung: TE: 929453
  - FOR FLR-CONDUCTOR ACCORDING TO DIN 72551-6 ONLY  
 Nur fuer FLR-Leitung nach DIN 72551, Teil 6
  - DETAILS OF DESIGN ARE LEFT TO MANUFACTURER  
 Einzelheiten der Ausfuehrung bleiben dem Hersteller uebertlassen
  - TE REVISION AND DIE IDENTIFICATION (E.G. REV. A DIE-NO. 1)  
 TE Revision und Werkzeug-Nr.(z.B. Rev. A Wkzg.-Nr. 1)
  - WITH DOUBLE-OUT DIES THE FIRST SPRING WILL BE PROVIDED WITH AN INDICATION "-"  
 Bei doppelt fallenden Werkzeugen wird die erste Ueberfeder mit einer Kennzeichnung "-" versehen
  - Varianten von Design1 werden durch die entsprechenden Versionen von Design2 ersetzt  
 VARIANTS OF DESIGN1 ARE SUPERSEDED BY CORRESPONDING VERSIONS OF DESIGN2



REV	DESIGN	REV	DESIGN	WIRE SIZE RANGE DGB mm <sup>2</sup>	INSULATION Isolations Ø	SURFACE CONTACT AREA Oberflaeche Kontaktzone	LENGTH Laenge mm	WIRE CRIMP Drahtcrimp mm	INSU. CRIMP Iso' Crimp mm	WEIGHT Gewicht g
-	2295077-1	A	-	0.08-0.27	0.85-1.2	Sn	A = 2.5 B = 3.7 C = 5.4 D = 13.6	E = 1.5 G = 1.4 DDr = 0.2	H = 2.0 K = 1.9 L = 0.65 D <sub>ISO</sub> = 1.1	0.15
5-1703282-2	-	A	1703282-2	0.5-0.75	1.4-1.9	Au	A = 2.8 B = 3.8 C = 5.6 D = 13.6	E = 2 G = 2.1 DDr = 1	H = 2.7 K = 2.9 L = 0.7 D <sub>ISO</sub> = 1.4	0.13
5-1703282-1	-	A	1703282-1			Sn				
5-1534116-3	-	A	-	0.25-0.35	1.2-1.6	Ag	A = 2.5 B = 3.6 C = 5.6 D = 13.6	E = 1.8 G = 1.8 DDr = 0.8	H = 2.3 K = 2.3 L = 0.6 D <sub>ISO</sub> = 1.4	0.12
5-1534116-2	-	A	1534116-2			Au				
5-1534116-1	-	A	1534116-1			Sn				
ORDER NO. DESIGN Bestell-Nr. Ausfuehrung 2	ORDER NO. DESIGN Bestell-Nr. Ausfuehrung 3	REV	ORDER NO. DESIGN Bestell-Nr. Ausfuehrung 1	REV			DIMENSIONS/ Abmessungen			

THIS DRAWING IS A CONTROLLED DOCUMENT.

DIMENSIONS: mm	TOLERANCES UNLESS OTHERWISE SPECIFIED:	DWN R.Schaefer 29JAN2002	CHK H.Kampmann 05JUL2007	APVD M.Bleicher 29APR2008
	0-PLC ±0.1	NAME MQS 2POINT, CLEANBODY		
	1-PLC ±0.1	PRODUCT SPEC 108-18874		
	2-PLC ±0.1	APPLICATION SPEC 114-18021		
	3-PLC ±0.1	WEIGHT -		
	4-PLC ±0.1	SIZE A2		
	ANGLES FINISH	CAGE CODE 00779		
MATERIAL -		DRAWING NO. 1534615		
		RESTRICTED TO -		
		CUSTOMER DRAWING SCALE 10:1 SHEET 1 OF 1 REV D12		

STE TE Connectivity

Printed on 15 Sep 2022 12:11 (Mitteltierop from TE220462)