

MATERIALS AND FINISHES

BODY ZINC ALLOY
PLATED BRIGHT TIN 100 MICROINCHES MIN.

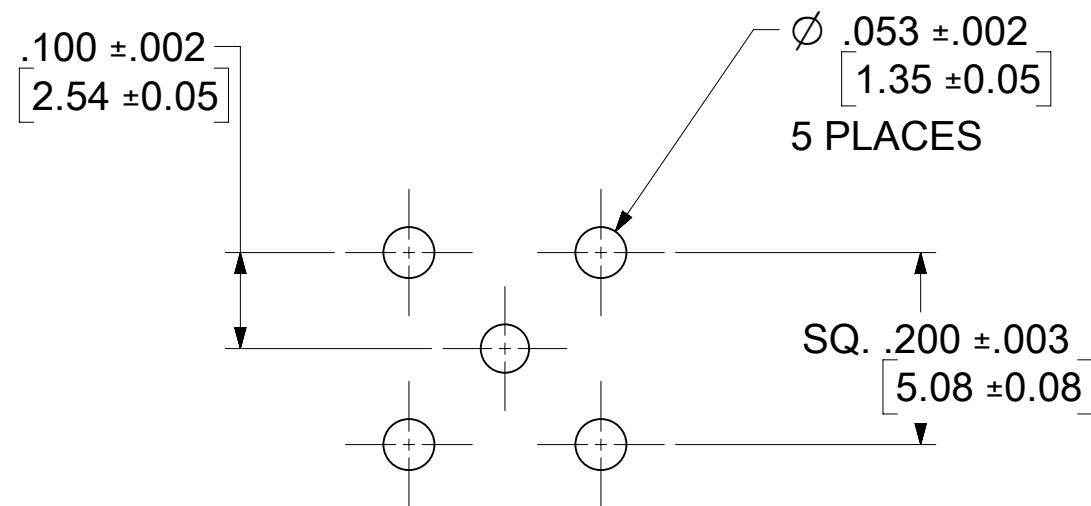
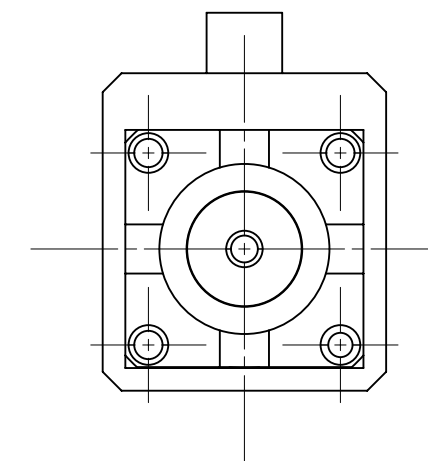
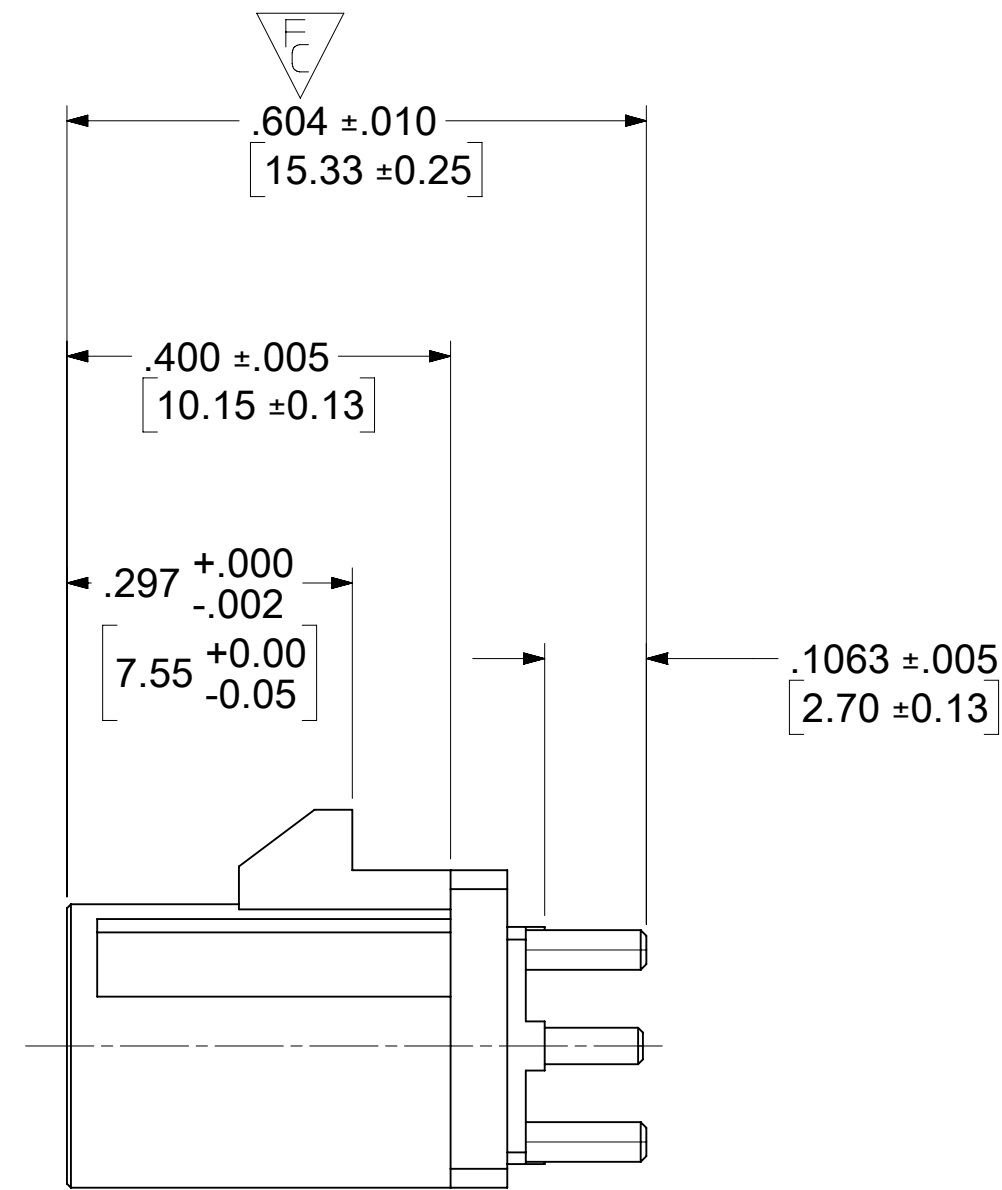
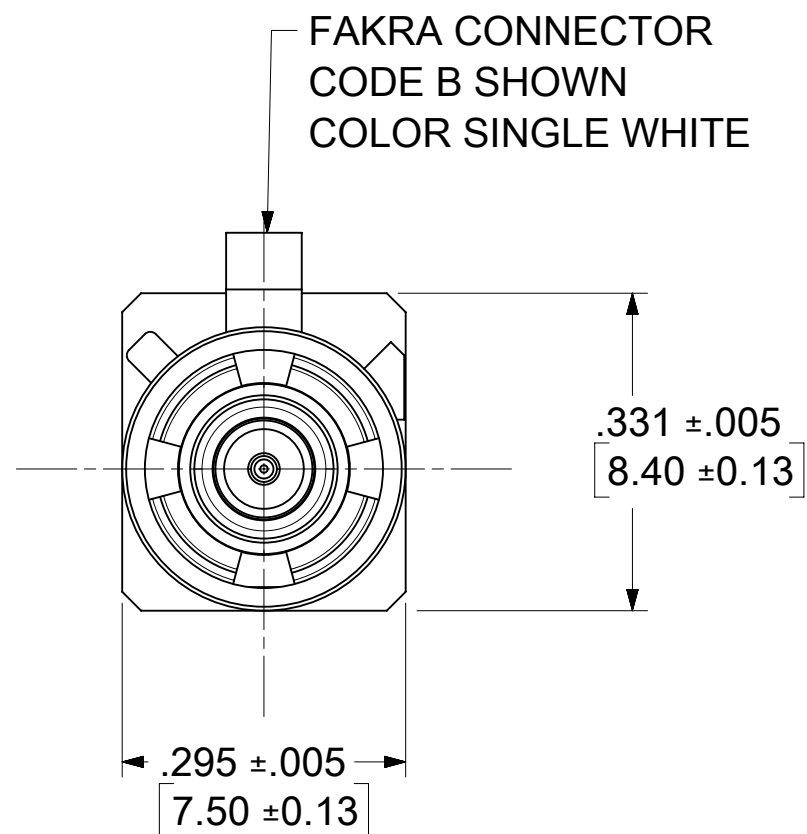
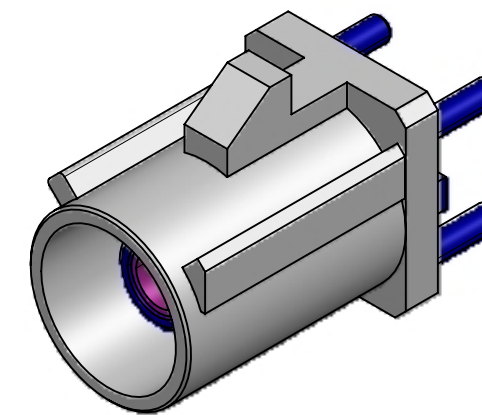
CENTER CONTACT BRASS
PLATED GOLD 5 MICROINCHES MIN. OVER
NICKEL 50 MICROINCHES MIN.

OUTER CASING NYLON46 30GF (STANYL TS200F6)
KEYING CODE B
COLOR SINGLE WHITE

INSULATOR TEFLON

RETENTION SPECIFICATION:

THE FAKRA CONNECTOR SHROUD WILL WITHSTAND
A LONGITUDINAL FORCE OF 110 N (24.75 LBS)



RECOMMENDED PCB LAYOUT

PART # 73403-5561

PS-89675-3310	PRODUCT SPECIFICATION
MIL-STD-348A, FIG. 311.1	INTERFACE SPECIFICATION
SPECIFICATION	DESCRIPTION

FUNCTIONAL SYMBOLS $\frac{F}{A} = 0$ $\frac{F}{C} = 0$ $\frac{F}{P} = 0$	THIS DRAWING CONTAINS INFORMATION THAT IS PROPRIETARY TO MOLEX ELECTRONIC TECHNOLOGIES, LLC AND SHOULD NOT BE USED WITHOUT WRITTEN PERMISSION	SCALE		CURRENT REV DESC:					
	DIMENSION UNITS	INCH/MM	SCALE	NTS	GENERAL TOLERANCES (UNLESS SPECIFIED)				
	DIVISIONAL SYMBOLS	ANGULAR TOL	± 2.0°	4 PLACES	±	EC NO: 719496	2022/08/17	SMB JACK, FAKRA, VERTICAL PCB, 50 OHM	
	DRWN: ELIN	2022/08/30	PRODUCT CUSTOMER DRAWING		SMB-J/PCB, EWR # 14535				
3 PLACES	±	CHK'D: YCHENG	2022/08/30	INITIAL REVISION:		DOCUMENT NUMBER	DOC TYPE	DOC PART	REVISION
2 PLACES	±	APPR: YCHENG	2022/08/30	DRWN: ELIN	2010/01/20	SD-73403-556	PSD	001	A4
1 PLACE	±	THIRD ANGLE PROJECTION		APPR: MHUANG	2010/01/27	MATERIAL NUMBER	CUSTOMER	SHEET NUMBER	
0 PLACES	±	DRAWING		SERIES		SEE TABLE	GENERAL MARKET	1 OF 8	
DRAFT WHERE APPLICABLE MUST REMAIN WITHIN DIMENSIONS		C-SIZE		73403					

DOCUMENT STATUS	P1	RELEASE DATE	2022/08/30	08:30:37
-----------------	----	--------------	------------	----------

MATERIALS AND FINISHES

BODY ZINC ALLOY
 PLATED BRIGHT TIN 100 MICROINCHES MIN.

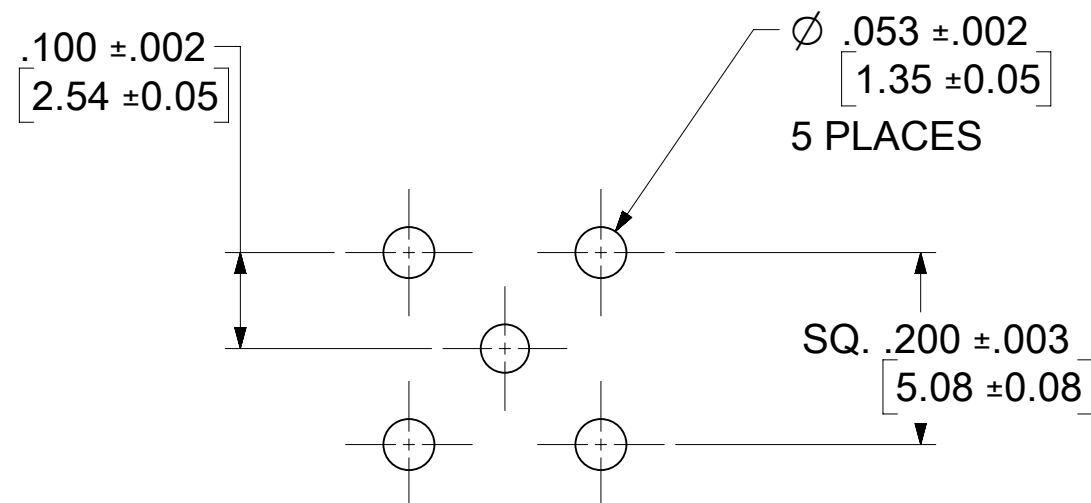
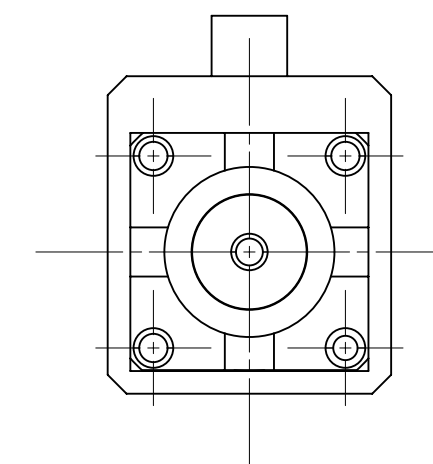
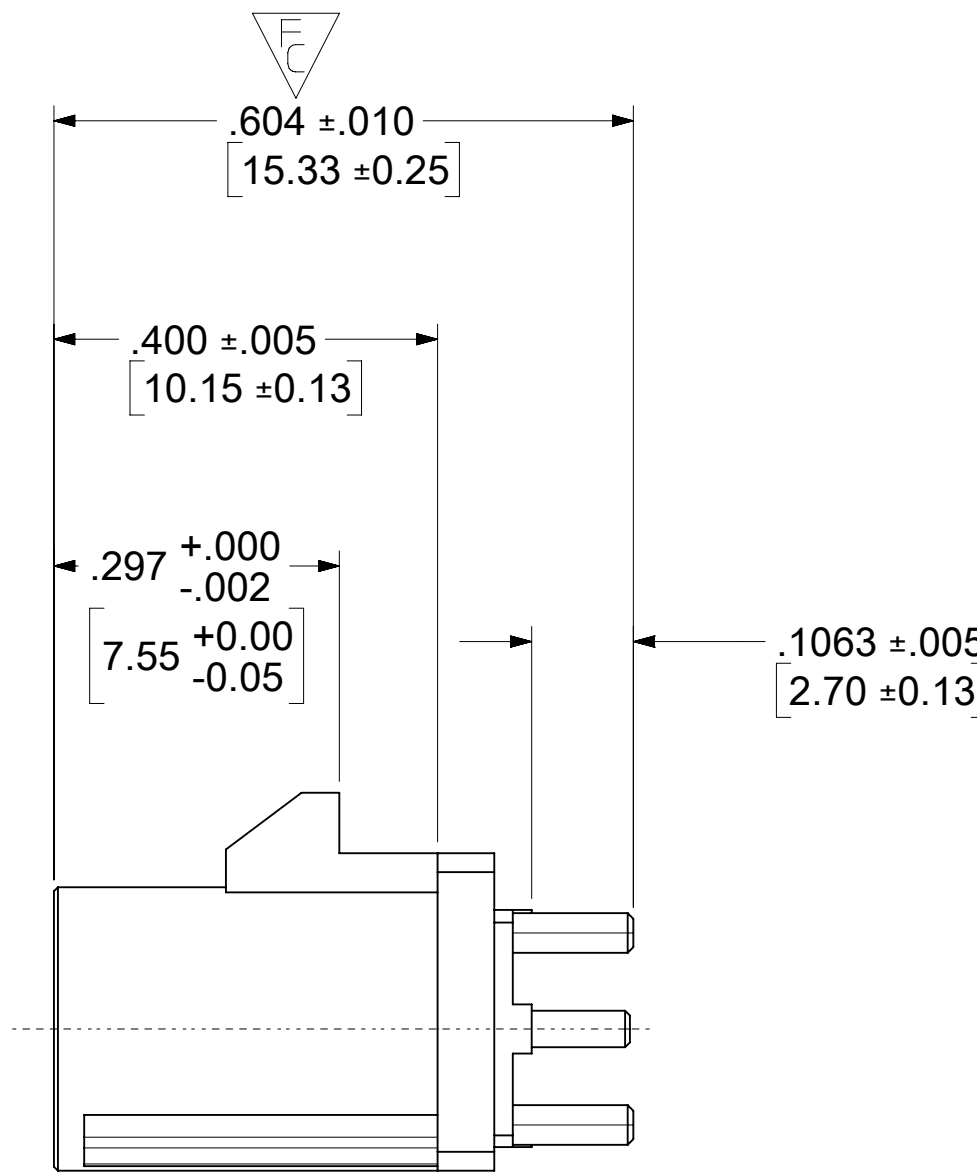
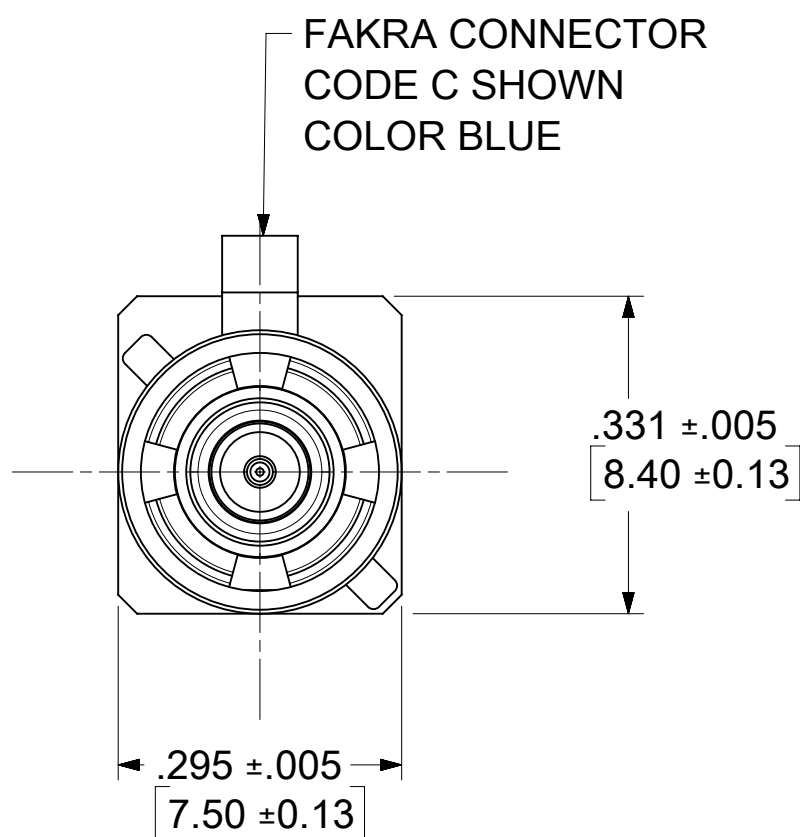
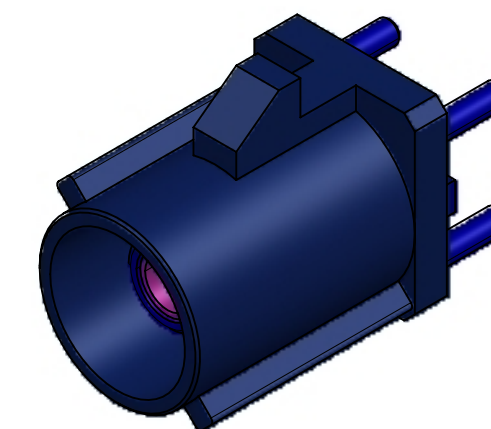
CENTER CONTACT BRASS
 PLATED GOLD 5 MICROINCHES MIN. OVER
 NICKEL 50 MICROINCHES MIN.

OUTER CASING NYLON46 30GF (STANYL TS200F6)
 KEYING CODE C
 COLOR BLUE

INSULATOR TEFLON

RETENTION SPECIFICATION:

THE FAKRA CONNECTOR SHROUD WILL WITHSTAND
 A LONGITUDINAL FORCE OF 110 N (24.75 LBS)



RECOMMENDED PCB LAYOUT

PART # 73403-5562

PS-89675-3310	PRODUCT SPECIFICATION
MIL-STD-348A, FIG. 311.1	INTERFACE SPECIFICATION
SPECIFICATION	DESCRIPTION

FUNCTIONAL SYMBOLS $\frac{F}{A} = 0$ $\frac{E}{C} = 0$ $\frac{E}{P} = 0$	THIS DRAWING CONTAINS INFORMATION THAT IS PROPRIETARY TO MOLEX ELECTRONIC TECHNOLOGIES, LLC AND SHOULD NOT BE USED WITHOUT WRITTEN PERMISSION	CURRENT REV DESC:						
	DIMENSION UNITS	SCALE	EC NO: 719496		SMB JACK, FAKRA, VERTICAL PCB, 50 OHM SMB-J/PCB, EWR # 14535			
	INCH/MM	NTS	DRWN: ELIN 2022/08/17					
	GENERAL TOLERANCES (UNLESS SPECIFIED)		CHK'D: YCHENG 2022/08/30					
ANGULAR TOL ± 2.0°		APPR: YCHENG 2022/08/30	PRODUCT CUSTOMER DRAWING					
DIVISIONAL SYMBOLS 4 PLACES ± 3 PLACES ± 2 PLACES ± 1 PLACE ± 0 PLACES ±	DRAFT WHERE APPLICABLE MUST REMAIN WITHIN DIMENSIONS	THIRD ANGLE PROJECTION	DRAWING	SERIES	DOCUMENT NUMBER	DOC TYPE	DOC PART	REVISION
			C-SIZE	73403	SD-73403-556	PSD	001	A4
						MATERIAL NUMBER	CUSTOMER	SHEET NUMBER
						SEE TABLE	GENERAL MARKET	2 OF 8

DOCUMENT STATUS	P1	RELEASE DATE	2022/08/30	08:30:37
-----------------	----	--------------	------------	----------

MATERIALS AND FINISHES

BODY ZINC ALLOY
 PLATED BRIGHT TIN 100 MICROINCHES MIN.

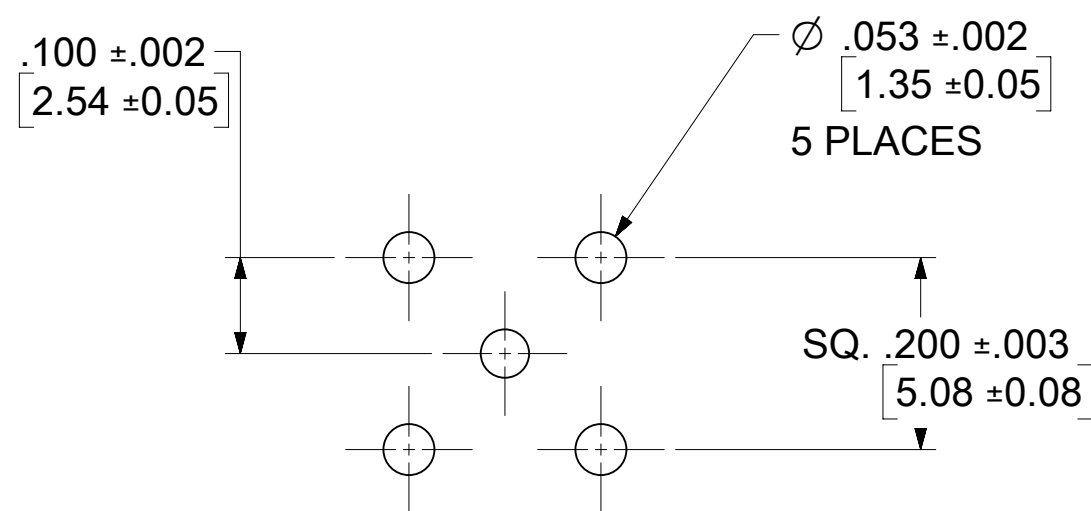
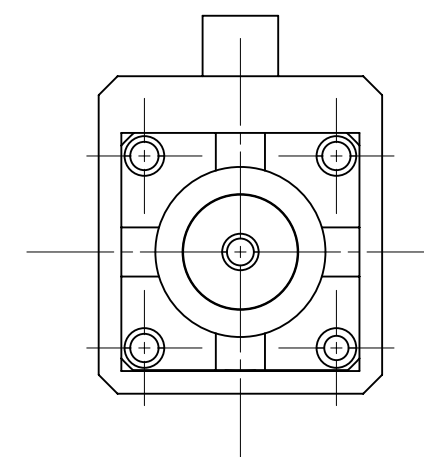
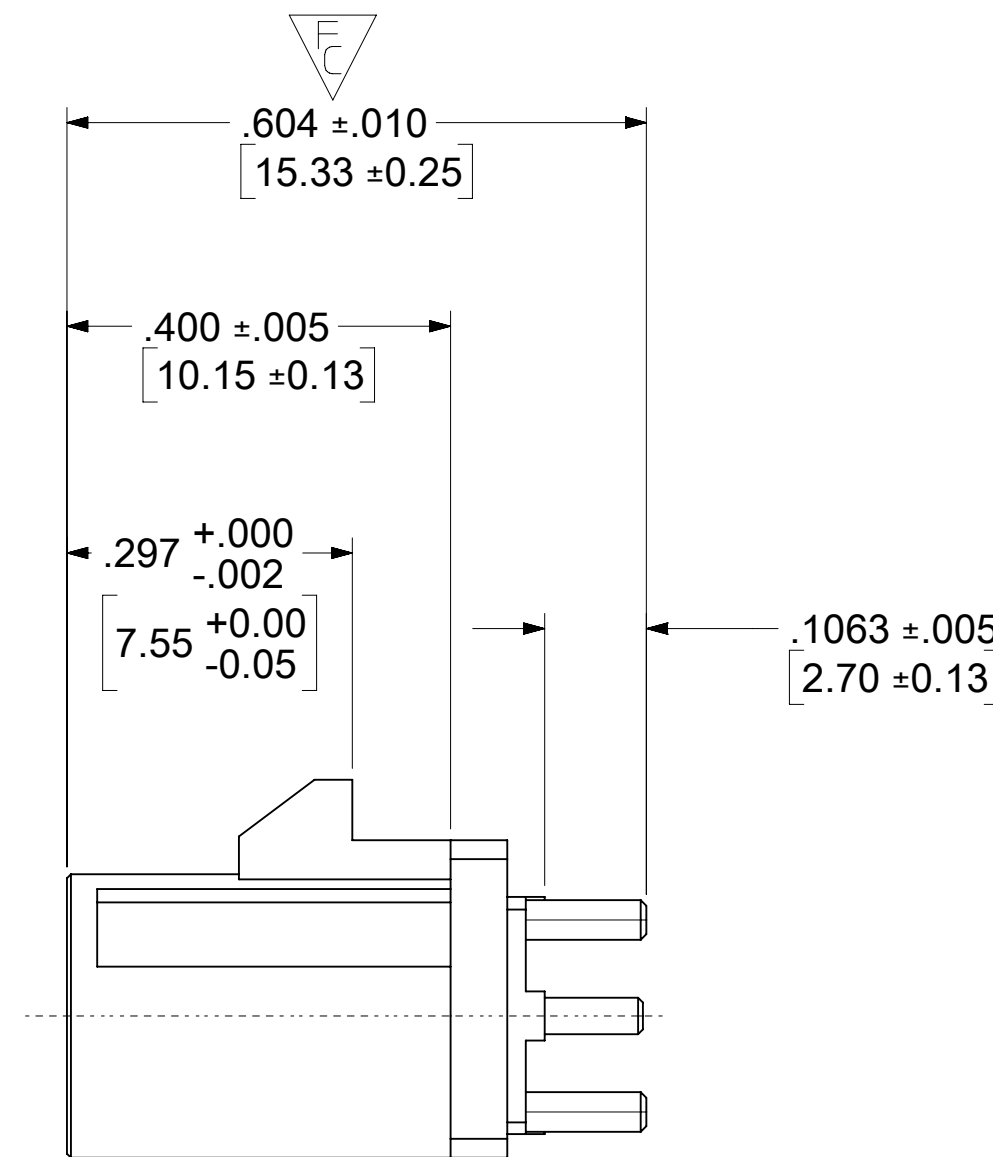
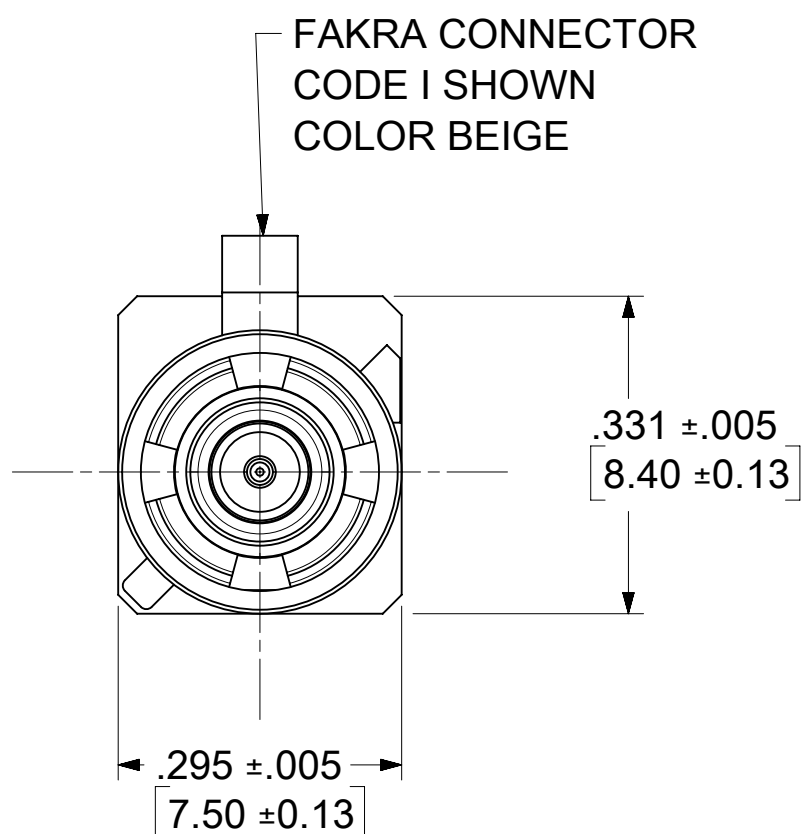
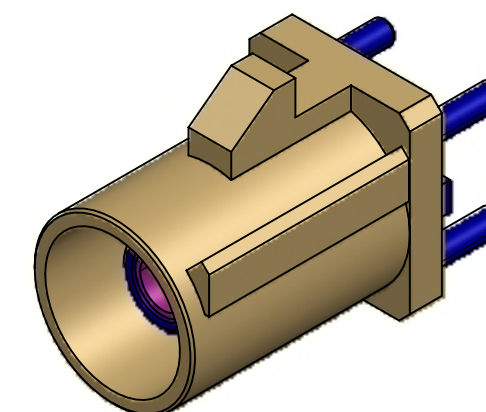
CENTER CONTACT BRASS
 PLATED GOLD 5 MICROINCHES MIN. OVER
 NICKEL 50 MICROINCHES MIN.

OUTER CASING NYLON46 30GF (STANYL TS200F6)
 KEYING CODE I
 COLOR BEIGE

INSULATOR TEFLON

RETENTION SPECIFICATION:

THE FAKRA CONNECTOR SHROUD WILL WITHSTAND
 A LONGITUDINAL FORCE OF 110 N (24.75 LBS)



RECOMMENDED PCB LAYOUT

PART # 73403-5568

PS-89675-3310	PRODUCT SPECIFICATION
MIL-STD-348A, FIG. 311.1	INTERFACE SPECIFICATION
SPECIFICATION	DESCRIPTION

FUNCTIONAL SYMBOLS $\frac{F}{A} = 0$ $\frac{F}{C} = 0$ $\frac{F}{P} = 0$	THIS DRAWING CONTAINS INFORMATION THAT IS PROPRIETARY TO MOLEX ELECTRONIC TECHNOLOGIES, LLC AND SHOULD NOT BE USED WITHOUT WRITTEN PERMISSION	SCALE		CURRENT REV DESC:						
	DIMENSION UNITS	INCH/MM	SCALE	NTS	GENERAL TOLERANCES (UNLESS SPECIFIED)					
	DIVISIONAL SYMBOLS	3 PLACES ±	ANGULAR TOL ± 2.0°	4 PLACES ±	EC NO: 719496	DRWN: ELIN	2022/08/17	PRODUCT CUSTOMER DRAWING DOCUMENT NUMBER: SD-73403-556 DOC TYPE: PSD DOC PART: 001 REVISION: A4		
	2 PLACES ±	3 PLACES ±	1 PLACE ±	APPR: YCHENG	2022/08/30	INITIAL REVISION:	2010/01/20			
0 PLACES ±	DRAFT WHERE APPLICABLE MUST REMAIN WITHIN DIMENSIONS	THIRD ANGLE PROJECTION	DRAWING	SERIES	MATERIAL NUMBER	CUSTOMER	SHEET NUMBER			
			C-SIZE	73403	SEE TABLE	GENERAL MARKET	3 OF 8			

MATERIALS AND FINISHES

BODY ZINC ALLOY
PLATED BRIGHT TIN 100 MICROINCHES MIN.

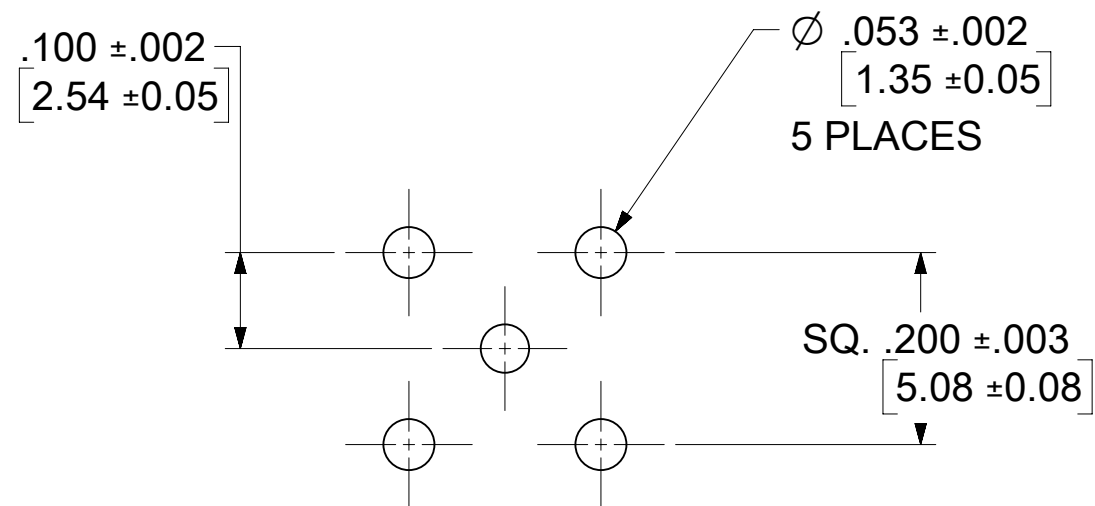
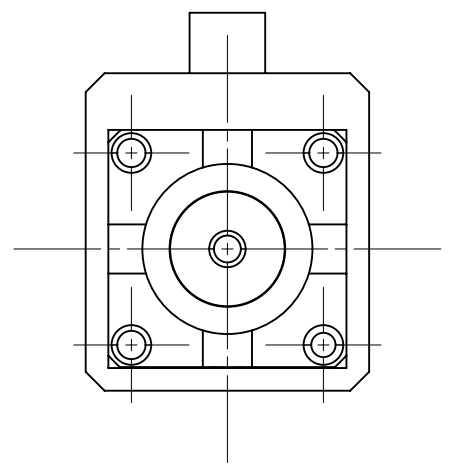
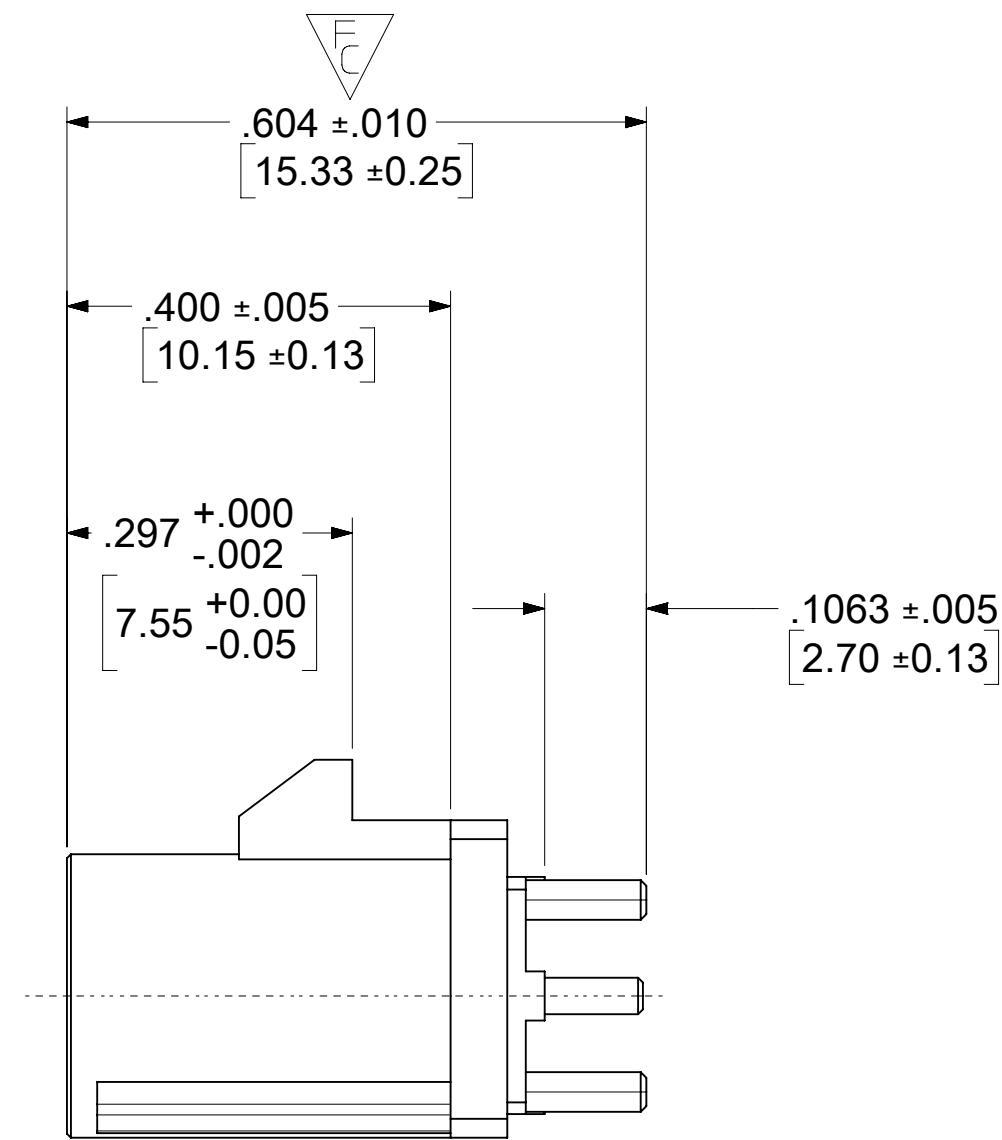
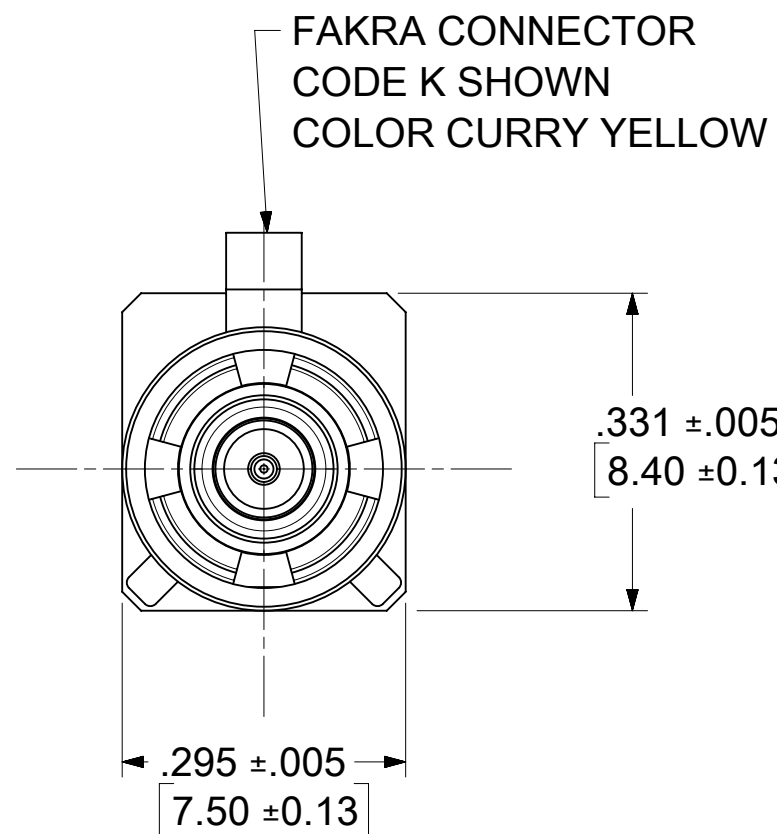
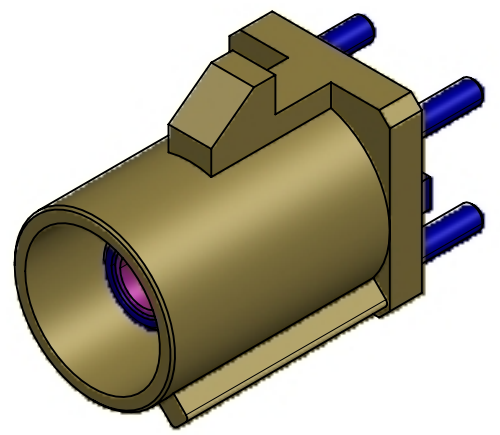
CENTER CONTACT BRASS
PLATED GOLD 5 MICROINCHES MIN. OVER
NICKEL 50 MICROINCHES MIN.

OUTER CASING NYLON46 30GF (STANYL TS200F6)
KEYING CODE K
COLOR CURRY YELLOW

INSULATOR TEFLON

RETENTION SPECIFICATION:

THE FAKRA CONNECTOR SHROUD WILL WITHSTAND
A LONGITUDINAL FORCE OF 110 N (24.75 LBS)



RECOMMENDED PCB LAYOUT

PART # 73403-5569

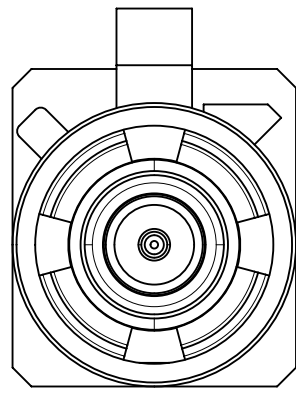
PS-89675-3310	PRODUCT SPECIFICATION
MIL-STD-348A, FIG. 311.1	INTERFACE SPECIFICATION
SPECIFICATION	DESCRIPTION

FUNCTIONAL SYMBOLS $\frac{F}{A} = 0$ $\frac{E}{C} = 0$ $\frac{E}{P} = 0$	THIS DRAWING CONTAINS INFORMATION THAT IS PROPRIETARY TO MOLEX ELECTRONIC TECHNOLOGIES, LLC AND SHOULD NOT BE USED WITHOUT WRITTEN PERMISSION	SCALE	CURRENT REV DESC:						
	DIMENSION UNITS	INCH/MM	NTS						
	GENERAL TOLERANCES (UNLESS SPECIFIED)		EC NO: 719496						
	ANGULAR TOL ± 2.0°		DRWN: ELIN 2022/08/17						
DIVISIONAL SYMBOLS 4 PLACES ± 3 PLACES ± 2 PLACES ± 1 PLACE ± 0 PLACES ±	DRAFT WHERE APPLICABLE MUST REMAIN WITHIN DIMENSIONS		THIRD ANGLE PROJECTION	DRAWING	SERIES	MATERIAL NUMBER	CUSTOMER	SHEET NUMBER	
				C-SIZE	73403	SEE TABLE	GENERAL MARKET	4 OF 8	
			INITIAL REVISION:		DOCUMENT NUMBER		DOC TYPE	DOC PART	REVISION
			DRWN: ELIN 2010/01/20 APPR: MHUANG 2010/01/27		SD-73403-556		PSD	001	A4

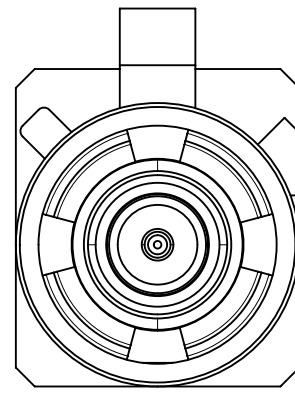
molex

SMB JACK, FAKRA, VERTICAL PCB, 50 OHM
SMB-J/PCB, EWR # 14535

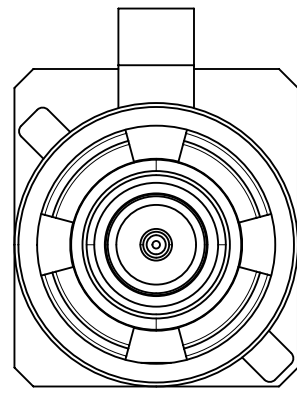
PRODUCT CUSTOMER DRAWING



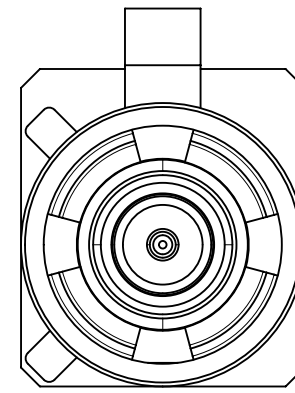
CODE A



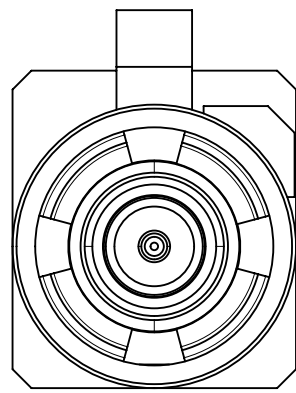
CODE B



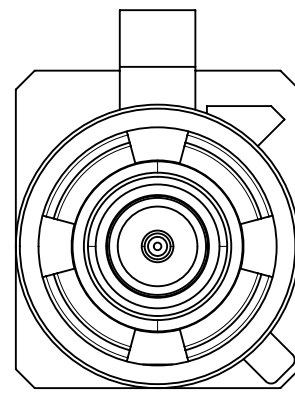
CODE C



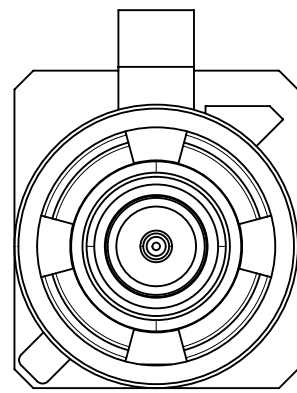
CODE D



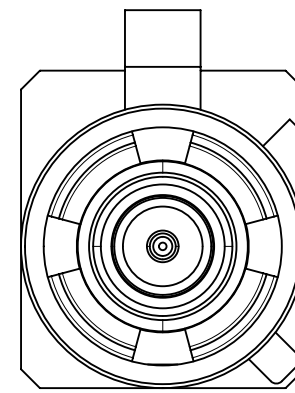
CODE E



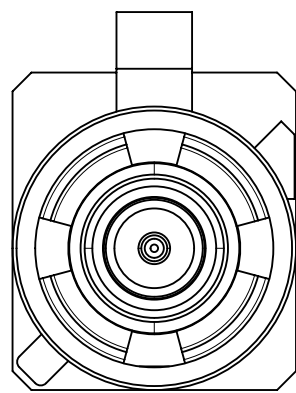
CODE F



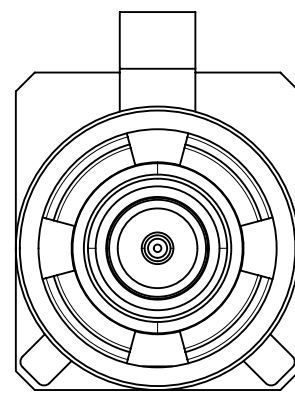
CODE G



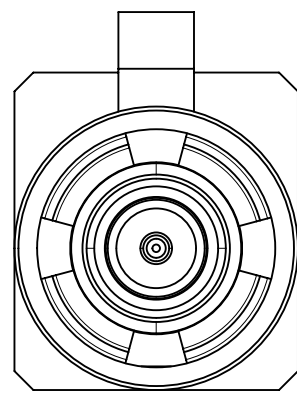
CODE H



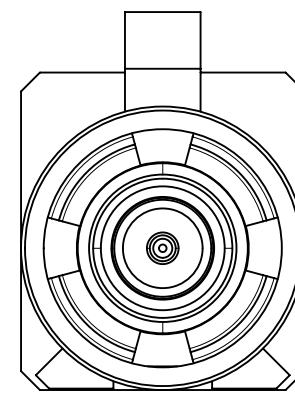
CODE I



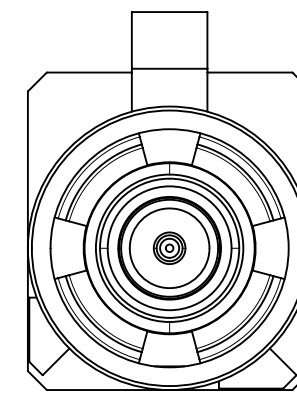
CODE K



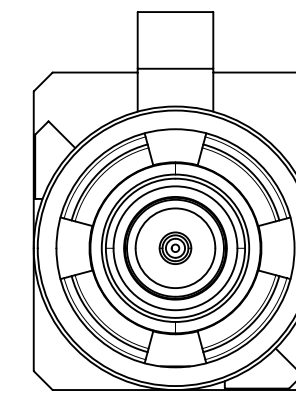
CODE Z



CODE L



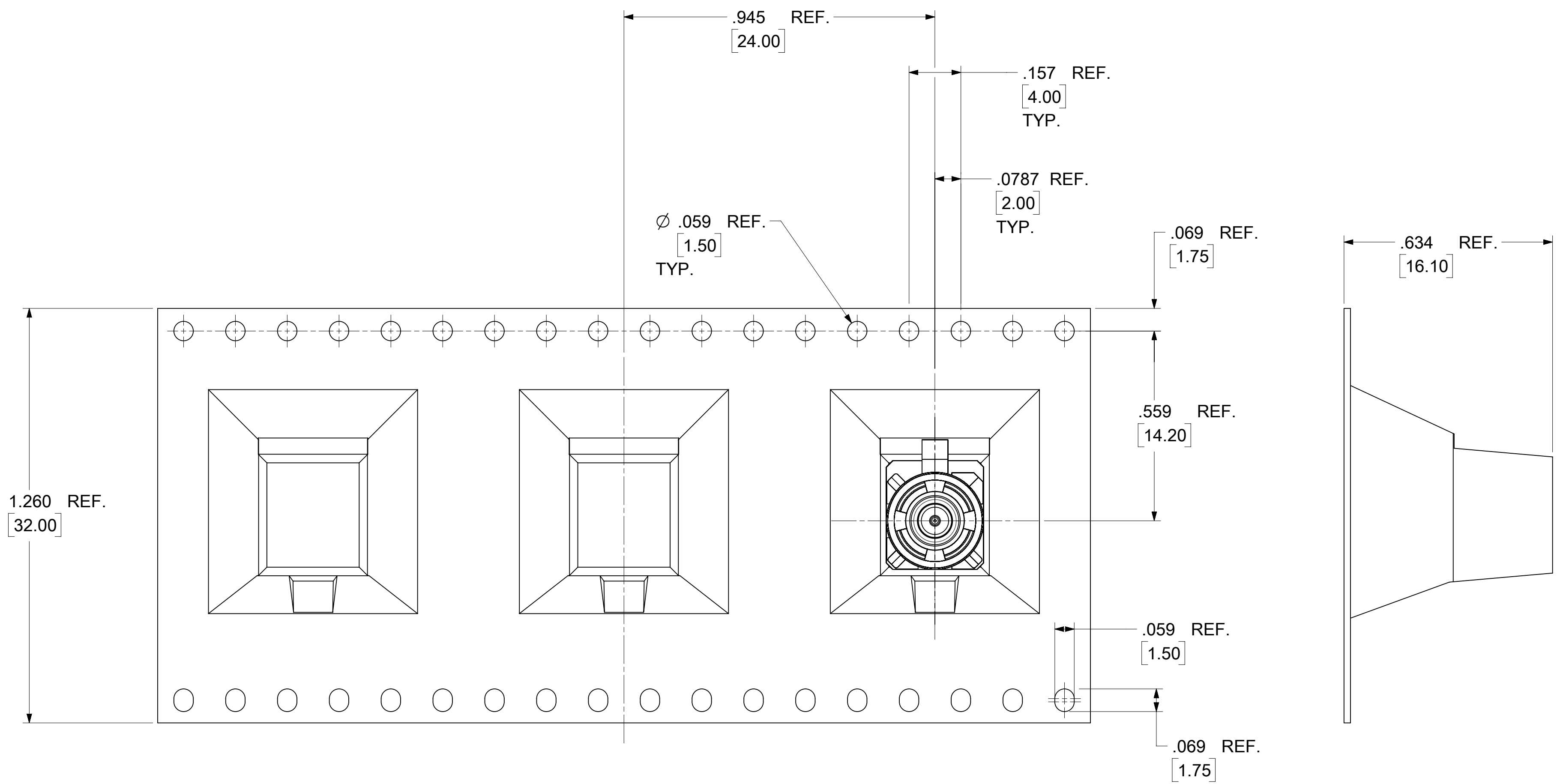
CODE M



CODE N

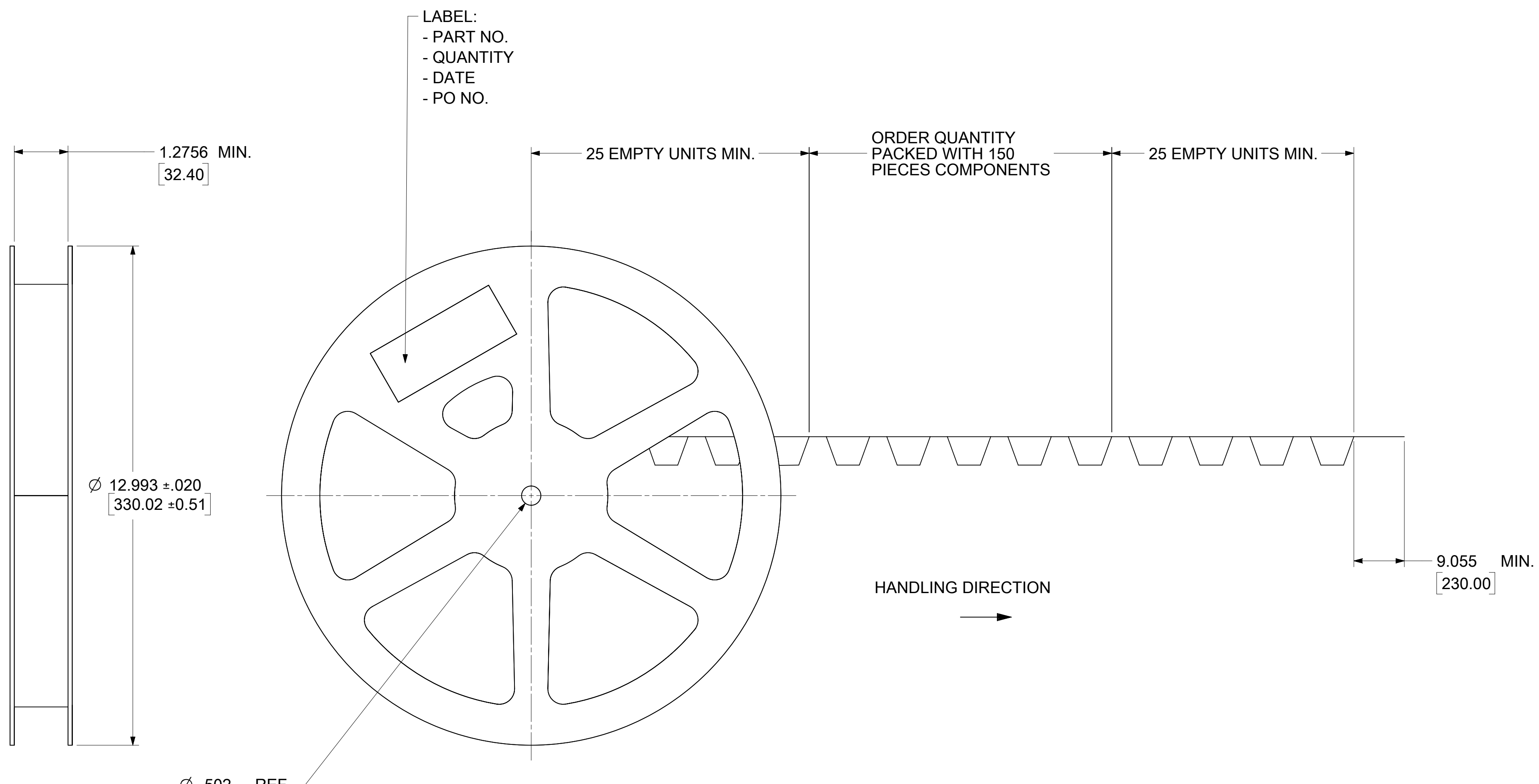
N	PASTEL GREEN	73403-5573
M	PASTEL ORANGE	73403-5572
L	CARMINE RED	73403-5571
Z	WATER BLUE	73403-5570
K	CURRY YELLOW	73403-5569
I	BEIGE	73403-5568
H	VIOLET	73403-5567
G	GRAY	73403-5566
F	BROWN	73403-5565
E	GREEN	73403-5564
D	BORDEAUXVIOLET	73403-5563
C	BLUE	73403-5562
B	SINGLE WHITE	73403-5561
A	BLACK	73403-5560
KEYING CODE	COLOR	PART NO.

FUNCTIONAL SYMBOLS = 0 = 0 = 0 DIVISIONAL SYMBOLS = 0 = 0 = 0 = 0	THIS DRAWING CONTAINS INFORMATION THAT IS PROPRIETARY TO MOLEX ELECTRONIC TECHNOLOGIES, LLC AND SHOULD NOT BE USED WITHOUT WRITTEN PERMISSION		CURRENT REV DESC:				
	DIMENSION UNITS: INCH/MM SCALE: NTS	GENERAL TOLERANCES (UNLESS SPECIFIED) ANGULAR TOL ± 2.0°		EC NO: 719496 DRWN: ELIN 2022/08/17 CHK'D: YCHENG 2022/08/30 APPR: YCHENG 2022/08/30		SMB JACK, FAKRA, VERTICAL PCB, 50 OHM SMB-J/PCB, EWR # 14535	
DRAFT WHERE APPLICABLE MUST REMAIN WITHIN DIMENSIONS		THIRD ANGLE PROJECTION		DRAWING: C-SIZE SERIES: 73403			PRODUCT CUSTOMER DRAWING
DOCUMENT STATUS: P1 RELEASE DATE: 2022/08/30 08:30:37		INITIAL REVISION: DRWN: ELIN 2010/01/20 APPR: MHUANG 2010/01/27		DOCUMENT NUMBER: SD-73403-556 DOC TYPE: PSD DOC PART: 001 REVISION: A4		MATERIAL NUMBER: SEE TABLE CUSTOMER: GENERAL MARKET SHEET NUMBER: 5 OF 8	



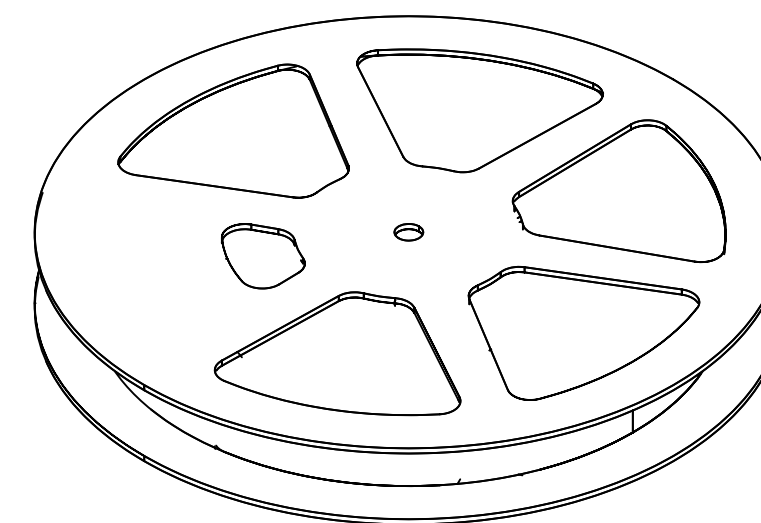
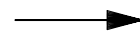
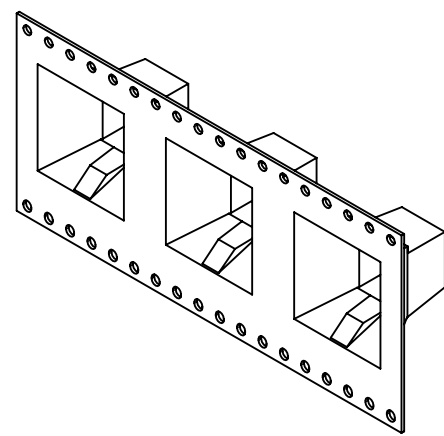
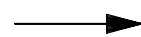
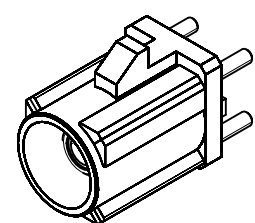
FUNCTIONAL SYMBOLS		THIS DRAWING CONTAINS INFORMATION THAT IS PROPRIETARY TO MOLEX ELECTRONIC TECHNOLOGIES, LLC AND SHOULD NOT BE USED WITHOUT WRITTEN PERMISSION		CURRENT REV DESC:					
DIMENSION UNITS		SCALE		EC NO: 719496					
INCH/MM		NTS		DRWN: ELIN		SMB-J/PCB, EWR # 14535			
GENERAL TOLERANCES (UNLESS SPECIFIED)		ANGULAR TOL ± 2.0°		CHK'D: YCHENG		PRODUCT CUSTOMER DRAWING			
4 PLACES ±				APPR: YCHENG		DOCUMENT NUMBER			
3 PLACES ±				INITIAL REVISION:		2010/01/20		DOC TYPE	
2 PLACES ±				DRWN: ELIN		2010/01/27		DOC PART	
1 PLACE ±				APPR: MHUANG		SD-73403-556		REVISION	
0 PLACES ±				DRAFT WHERE APPLICABLE MUST REMAIN WITHIN DIMENSIONS		C-SIZE		SERIES	
THIRD ANGLE PROJECTION		DRAWING		MATERIAL NUMBER		CUSTOMER		SHEET NUMBER	
				SEE TABLE		GENERAL MARKET		6 OF 8	

DOCUMENT STATUS	P1	RELEASE DATE	2022/08/30	08:30:37
-----------------	----	--------------	------------	----------

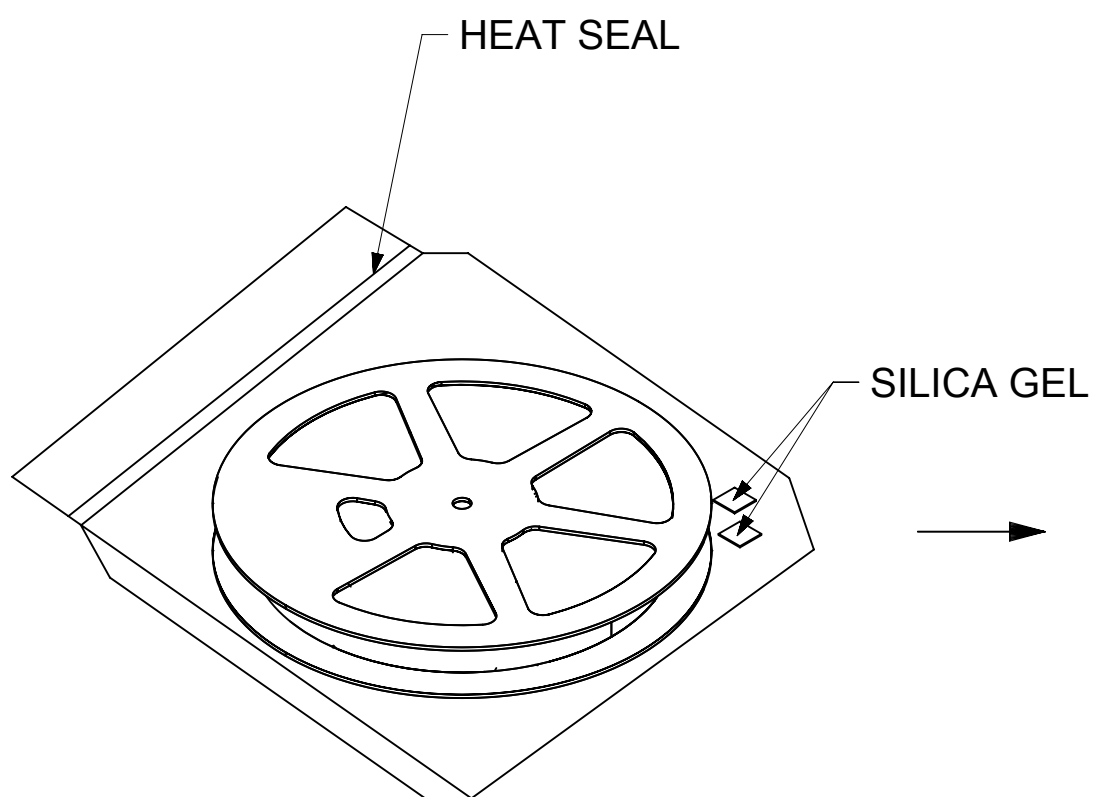


NOTE:
13" REEL SIZE FOR 150 PIECES

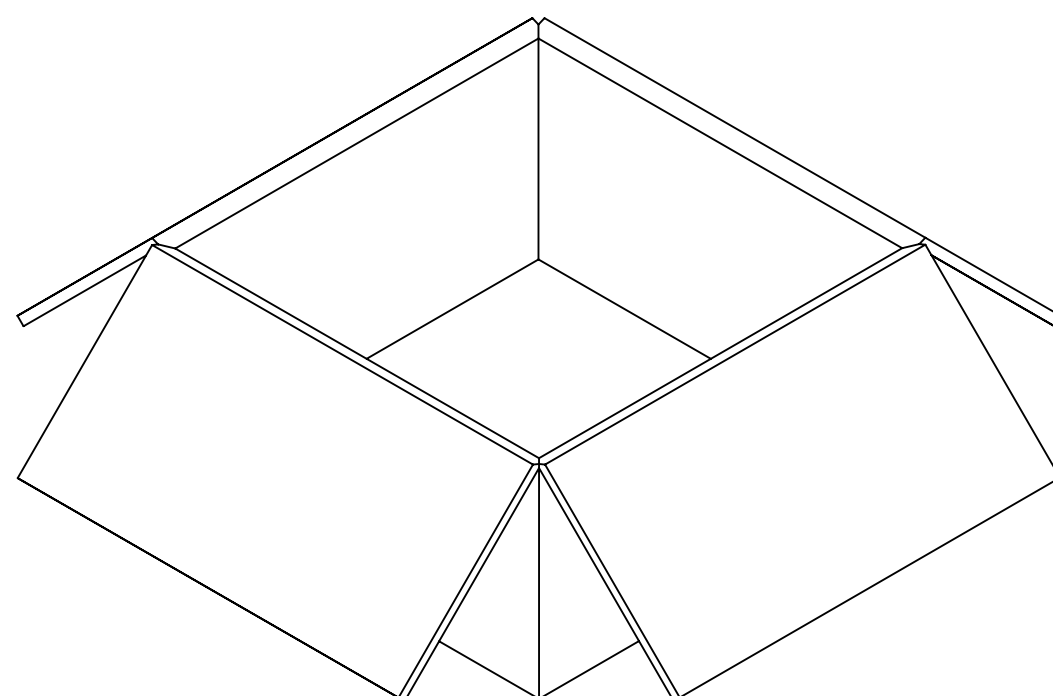
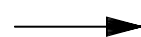
FUNCTIONAL SYMBOLS $\nabla_A = 0$ $\nabla_C = 0$ $\nabla_P = 0$ DIVISIONAL SYMBOLS 4 PLACES ± 3 PLACES ± 2 PLACES ± 1 PLACE ± 0 PLACES ±	THIS DRAWING CONTAINS INFORMATION THAT IS PROPRIETARY TO MOLEX ELECTRONIC TECHNOLOGIES, LLC AND SHOULD NOT BE USED WITHOUT WRITTEN PERMISSION											
	DIMENSION UNITS	SCALE	CURRENT REV DESC:									
	INCH/MM	NTS	EC NO: 719496 DRWN: ELIN 2022/08/17 CHK'D: YCHENG 2022/08/30 APPR: YCHENG 2022/08/30									
	GENERAL TOLERANCES (UNLESS SPECIFIED)		ANGULAR TOL ± 2.0° INITIAL REVISION: DRWN: ELIN 2010/01/20 APPR: MHUANG 2010/01/27								PRODUCT CUSTOMER DRAWING DOCUMENT NUMBER SD-73403-556	
DRAFT WHERE APPLICABLE MUST REMAIN WITHIN DIMENSIONS		THIRD ANGLE PROJECTION	DRAWING	SERIES	MATERIAL NUMBER	CUSTOMER	DOC TYPE	DOC PART	REVISION	SHEET NUMBER		
			C-SIZE	73403	SEE TABLE	GENERAL MARKET	PSD	001	A4	7 OF 8		



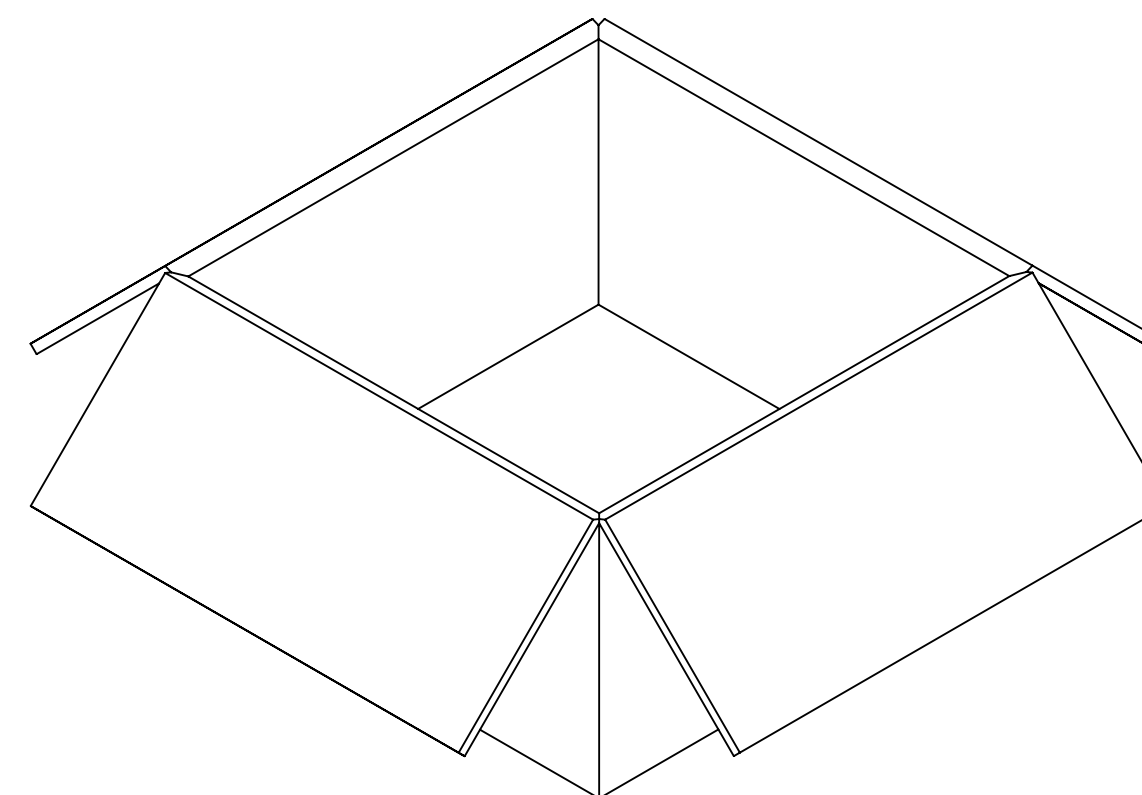
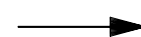
150 SET PER 13" REEL



HDPE BAG



600 SET PER INNER
CARTON BOX



600 SET PER OUTER
CARTON BOX

FUNCTIONAL SYMBOLS	THIS DRAWING CONTAINS INFORMATION THAT IS PROPRIETARY TO MOLEX ELECTRONIC TECHNOLOGIES, LLC AND SHOULD NOT BE USED WITHOUT WRITTEN PERMISSION										
	DIMENSION UNITS	SCALE	CURRENT REV DESC:							molex	
$\frac{F}{A} = 0$	INCH/MM	NTS	EC NO: 719496								
$\frac{E}{C} = 0$	GENERAL TOLERANCES (UNLESS SPECIFIED)		DRWN: ELIN 2022/08/17							SMB-J/PCB, EWR # 14535	
$\frac{E}{P} = 0$	ANGULAR TOL $\pm 2.0^\circ$		CHK'D: YCHENG 2022/08/30							PRODUCT CUSTOMER DRAWING	
DIVISIONAL SYMBOLS	4 PLACES \pm		APPR: YCHENG 2022/08/30							DOCUMENT NUMBER	
	3 PLACES \pm		INITIAL REVISION:							DOC TYPE	
	2 PLACES \pm		DRWN: ELIN 2010/01/20							DOC PART	
	1 PLACE \pm		APPR: MHUANG 2010/01/27							REVISION	
0 PLACES \pm		DRAFT WHERE APPLICABLE MUST REMAIN WITHIN DIMENSIONS		THIRD ANGLE PROJECTION		DRAWING	SERIES	MATERIAL NUMBER	CUSTOMER	SHEET NUMBER	
				C-SIZE	73403	SEE TABLE	GENERAL MARKET	SD-73403-556	PSD 001	A4	

DOCUMENT STATUS	P1	RELEASE DATE	2022/08/30	08:30:37
-----------------	----	--------------	------------	----------