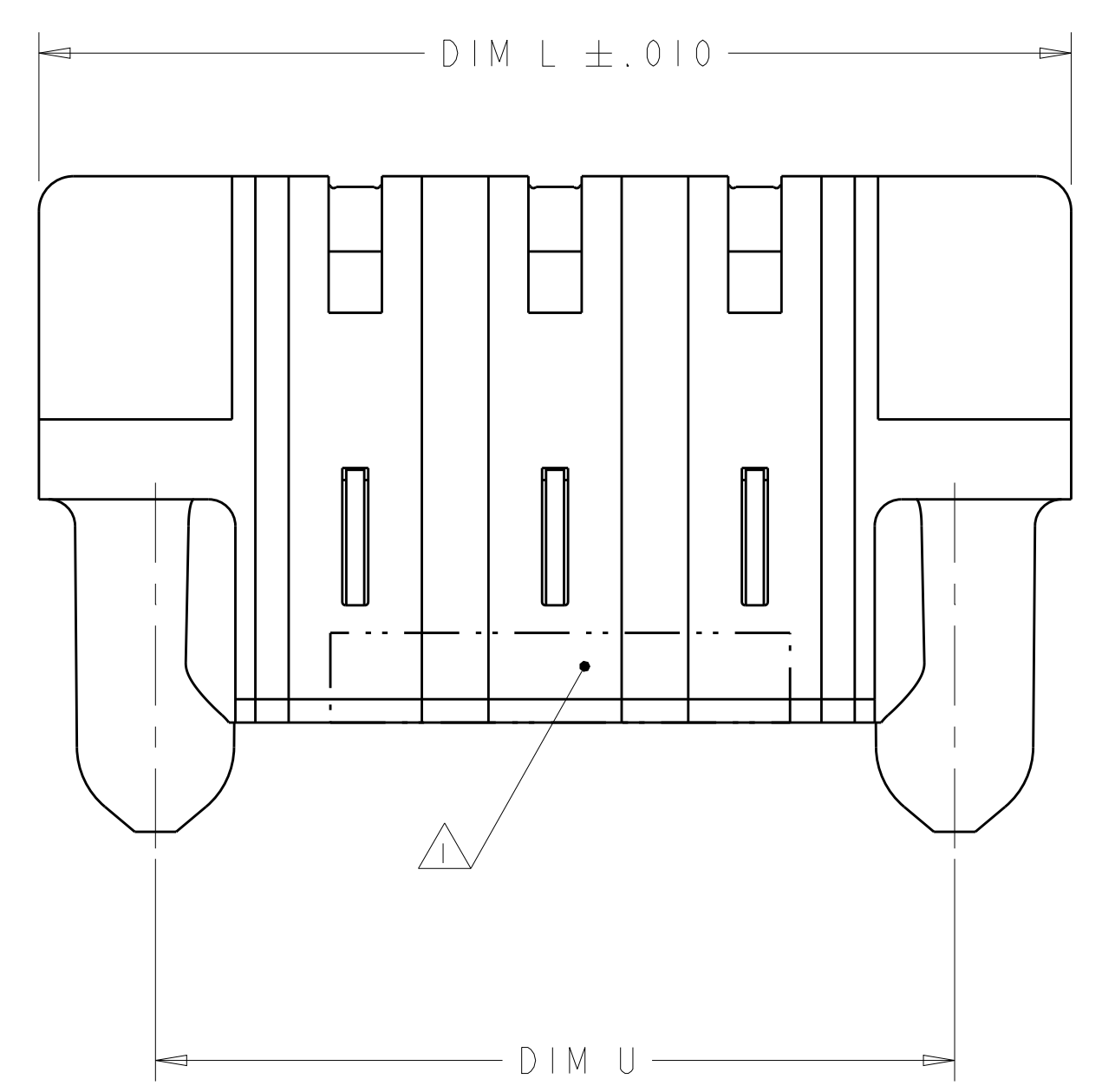
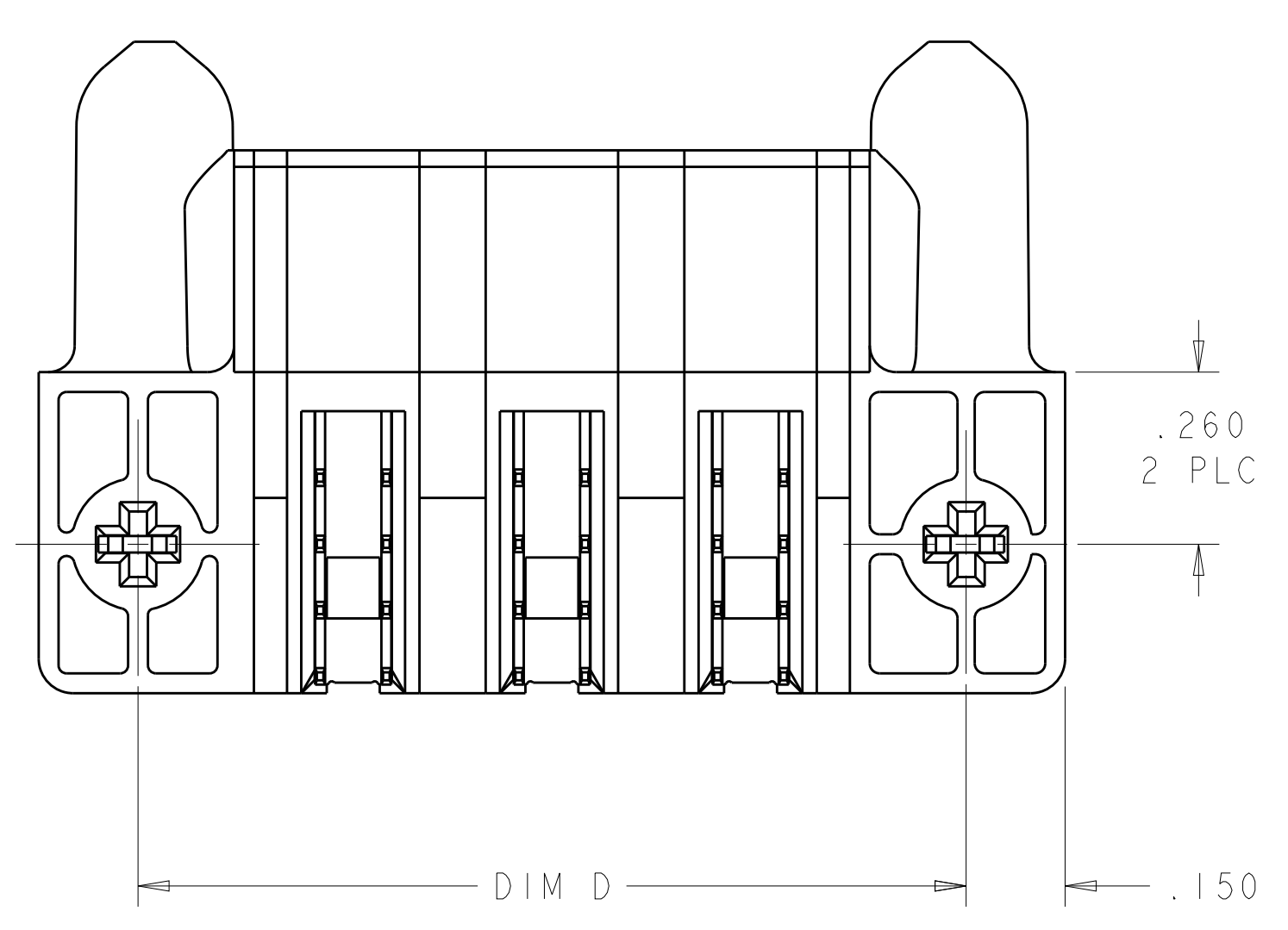
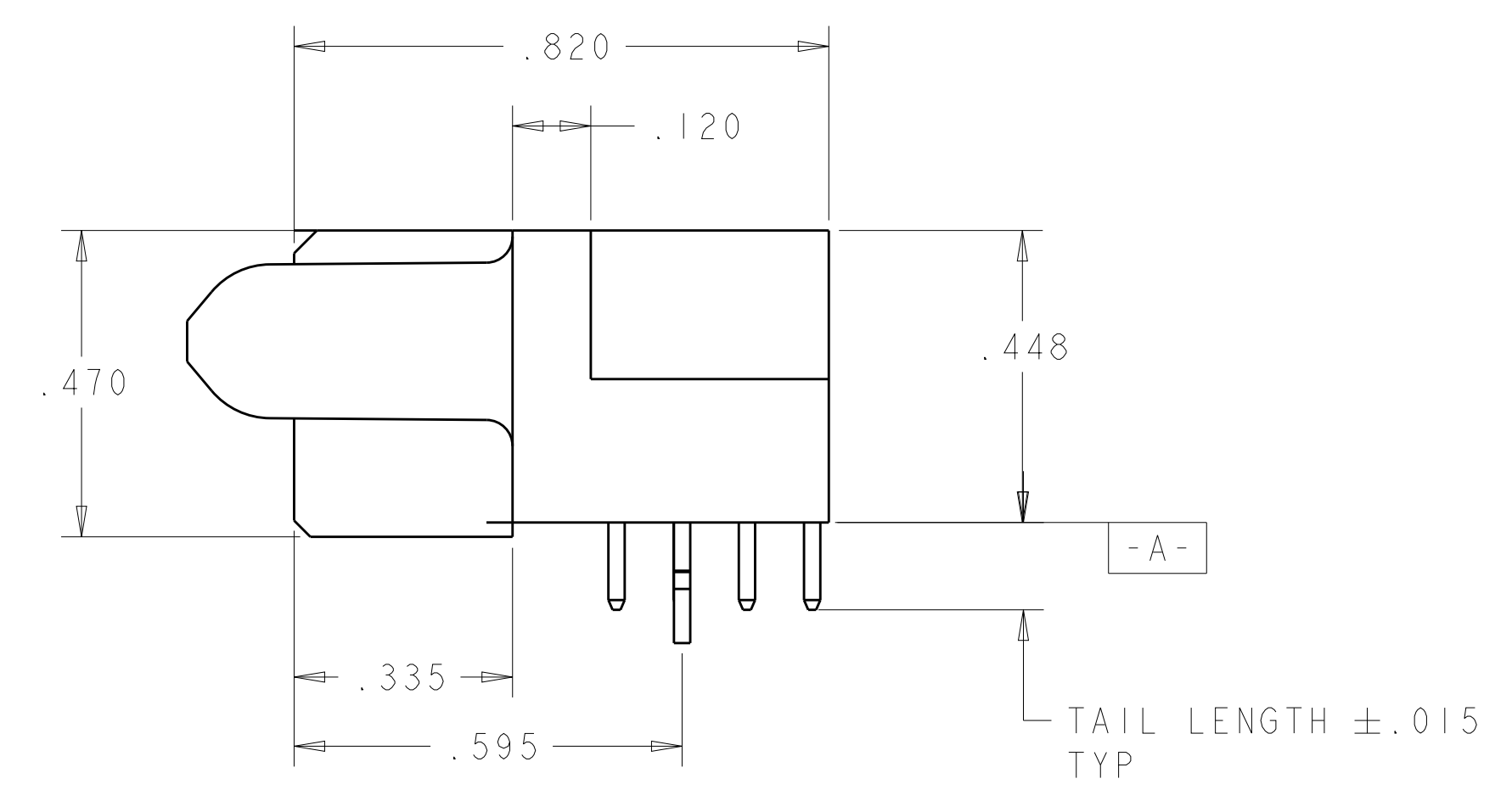
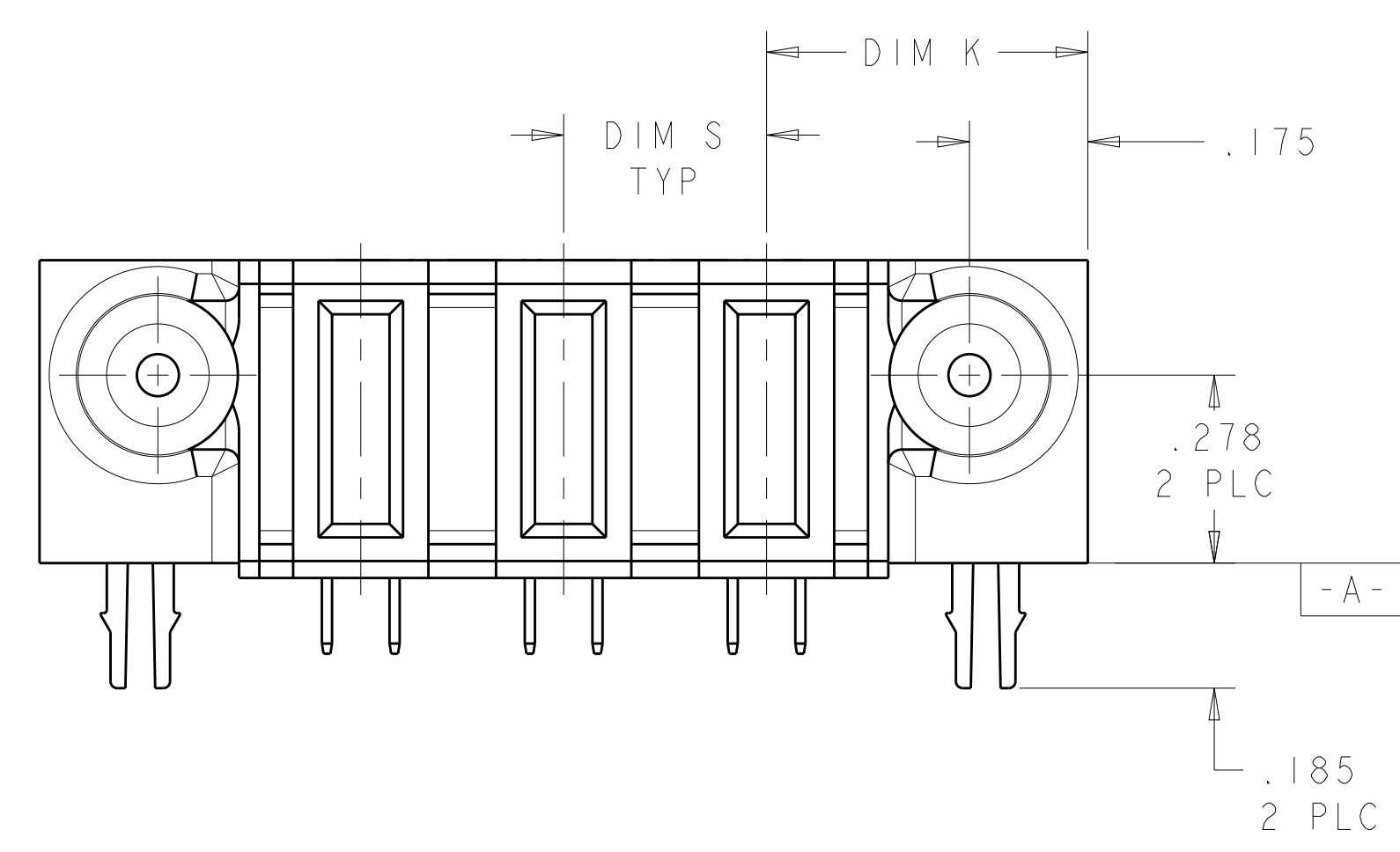


LOC		DIST		REVISIONS			
P	LTN	DESCRIPTION	DATE	DMN	APVD		
B2		ADD NEW DASH NUMBER -3	08APR2013	CZ	SZ		



- △ "AMP", PART NUMBER, AND DATE CODE TO BE MARKED IN AREA SHOWN. PARTS UNDER 2.000 MAY BE MARKED ON BOTH SIDES.
- △ MATERIAL: HOUSING - GLASS FILLED HIGH TEMP THERMO PLASTIC, UL94 V-0. POWER CONTACT -HIGH CONDUCTIVITY COPPER ALLOY.
- △ CONTACT PLATING: NOBLE METAL PLATING ON CONTACT FUNCTIONAL AREA OF POWER AND SIGNAL CONTACTS
- △ MECHANICAL CONNECTOR KEEP OUT ZONE.
- △ DATUM AND BASIC DIMENSIONS ESTABLISHED BY CUSTOMER.
- △ PCB - ALL HOLE DIAMETERS ARE FINISHED HOLE SIZES.
- △ PCB - .0453±.0010 DRILLED HOLES WITH .0003 MIN Sn OVER .001 TO .003 Cu PLATING TO ACHIEVE A .040±.003 DIA HOLE.



DIM U	DIM S	DIM D	DIM L	DIM K	DESCRIPTION	PART NUMBER
1.150	.300	1.200	1.500	.450	3ACP	6450173-3
1.550	.250	1.600	1.900	.450	5P	6450173-2
1.200	.300	1.250	1.550	.475	3ACP	6450173-1

THIS DRAWING IS A CONTROLLED DOCUMENT. DWN: R. GRZYBOWSKI, 22FEB05, CHK: M. PERCHERKE, 22FEB05, APVD: M. PERCHERKE

**STE** TE Connectivity

NAME: RIGHT ANGLE RECEPTACLE ASSEMBLY WITH GUIDES MULTI-BEAM XL

PRODUCT SPEC: 108-1973

APPLICATION SPEC: 114-13038

SIZE: A1, CAGE CODE: 00779, DRAWING NO: 6450173

MATERIAL: 2, FINISH: 3, WEIGHT: -

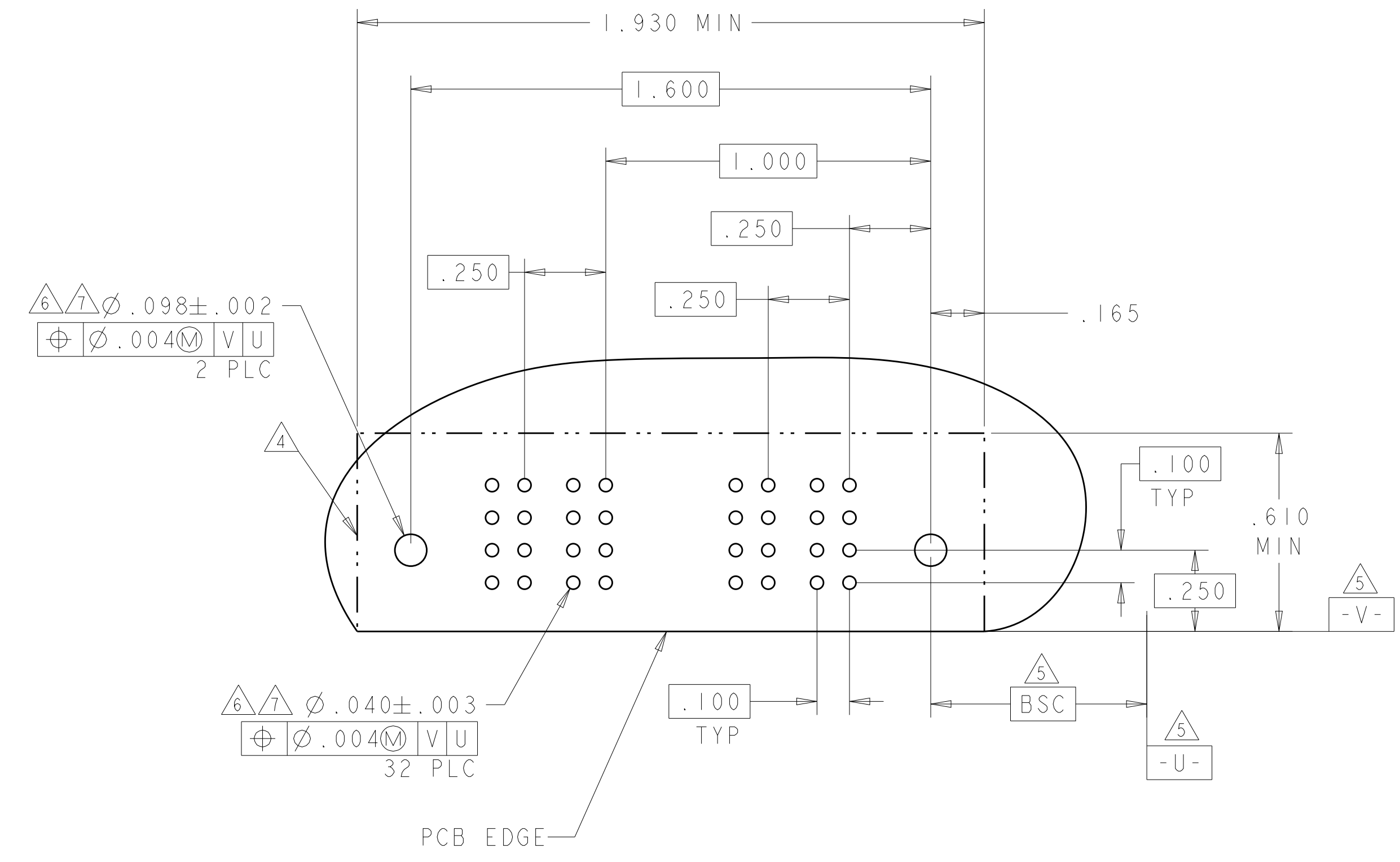
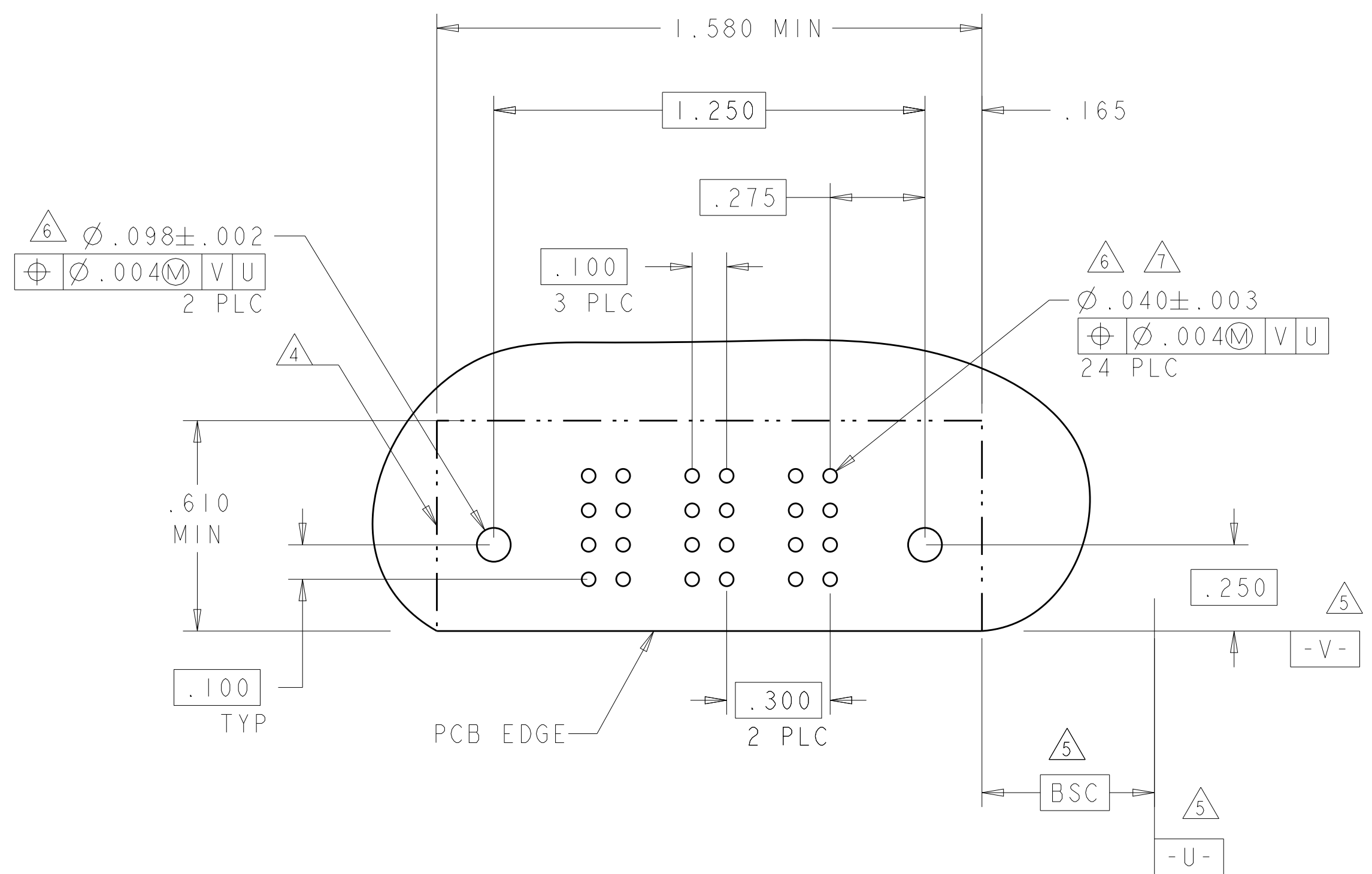
CUSTOMER DRAWING, SCALE: 4:1, SHEET: 1 OF 3, REV: B3

LOC		DIST		REVISIONS			
P	LTN	DESCRIPTION	DATE	DWN	APVD		
-	-	SEE SHEET 1	-	-	-		

PART NUMBER	ROWS	POWER		
		P3	P2	P1
6450173-1	D C B A	RM	RA	RM
3ACP		HD		HD

PART NUMBER	ROWS	POWER				
		P5	P4	P3	P2	P1
6450173-2	D C B A	RA	RA		RM	RM
5P		HD				HD

.500      .250



RB	.090	MFBL
RN	.090	STD
RA	.135	MFBL
RM	.135	STD
CODE	TAIL LENGTH	DESCRIPTION
POWER CONTACT		

THIS DRAWING IS A CONTROLLED DOCUMENT.

DIMENSIONS:	TOLERANCES UNLESS OTHERWISE SPECIFIED:	DWN: R. GRZYBOWSKI 22FEB05	CHK: M. PERCHERKE 22FEB05
INCHES	0 PLC ± .01	APVD: M. PERCHERKE	NAME: M. PERCHERKE
	1 PLC ± .01	PRODUCT SPEC: 108-1973	
	2 PLC ± .01	APPLICATION SPEC: 114-13038	
	3 PLC ± .005	WEIGHT: -	
	4 PLC ± .002	CUSTOMER DRAWING	
	ANGLES ± .020	SCALE: 4:1	
MATERIAL: -	FINISH: -	SHEET: 2 OF 3	REV: B3

**STE** TE Connectivity

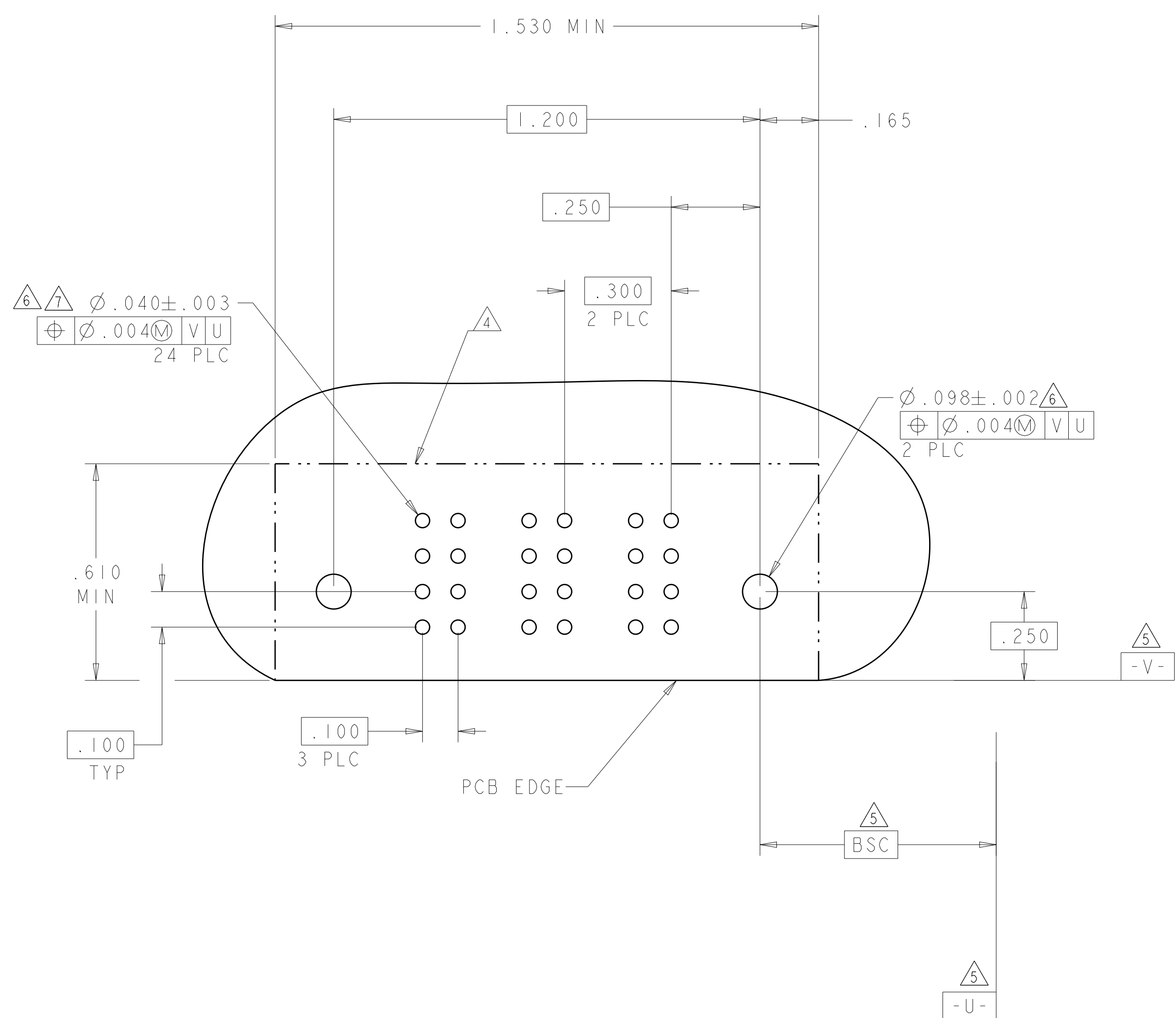
**RIGHT ANGLE RECEPTACLE ASSEMBLY WITH GUIDES MULTI-BEAM XL**

SIZE: A100779 CAGE CODE: 6450173 DRAWING NO: 108-1973

LOC	DIST	REVISIONS			
P	LTN	DESCRIPTION	DATE	DMN	APVD
-	-	SEE SHEET 1	-	-	-

PART NUMBER	ROWS	POWER		
		P3	P2	P1
6450173-3	D C B A	RA	RA	RA
3ACP		HD		HD

B3



THIS DRAWING IS A CONTROLLED DOCUMENT.		DMN R. GRZYBOWSKI CHK M. PERCHERKE	22FEB05 22FEB05	TE Connectivity
DIMENSIONS: INCHES	TOLERANCES UNLESS OTHERWISE SPECIFIED:	APVD M. PERCHERKE	NAME	
	0 PLC ± 1 PLC ±.01 2 PLC ±.01 3 PLC ±.005 4 PLC ±.0020 ANGLES ±.2° FINISH	PRODUCT SPEC	RIGHT ANGLE RECEPTACLE ASSEMBLY WITH GUIDES MULTI-BEAM XL	
MATERIAL		APPLICATION SPEC	RESTRICTED TO	
		114-13038	SIZE CAGE CODE DRAWING NO	
		WEIGHT	A100779C=6450173	
		CUSTOMER DRAWING	SCALE 4:1 SHEET 3 OF 3 REV B3	