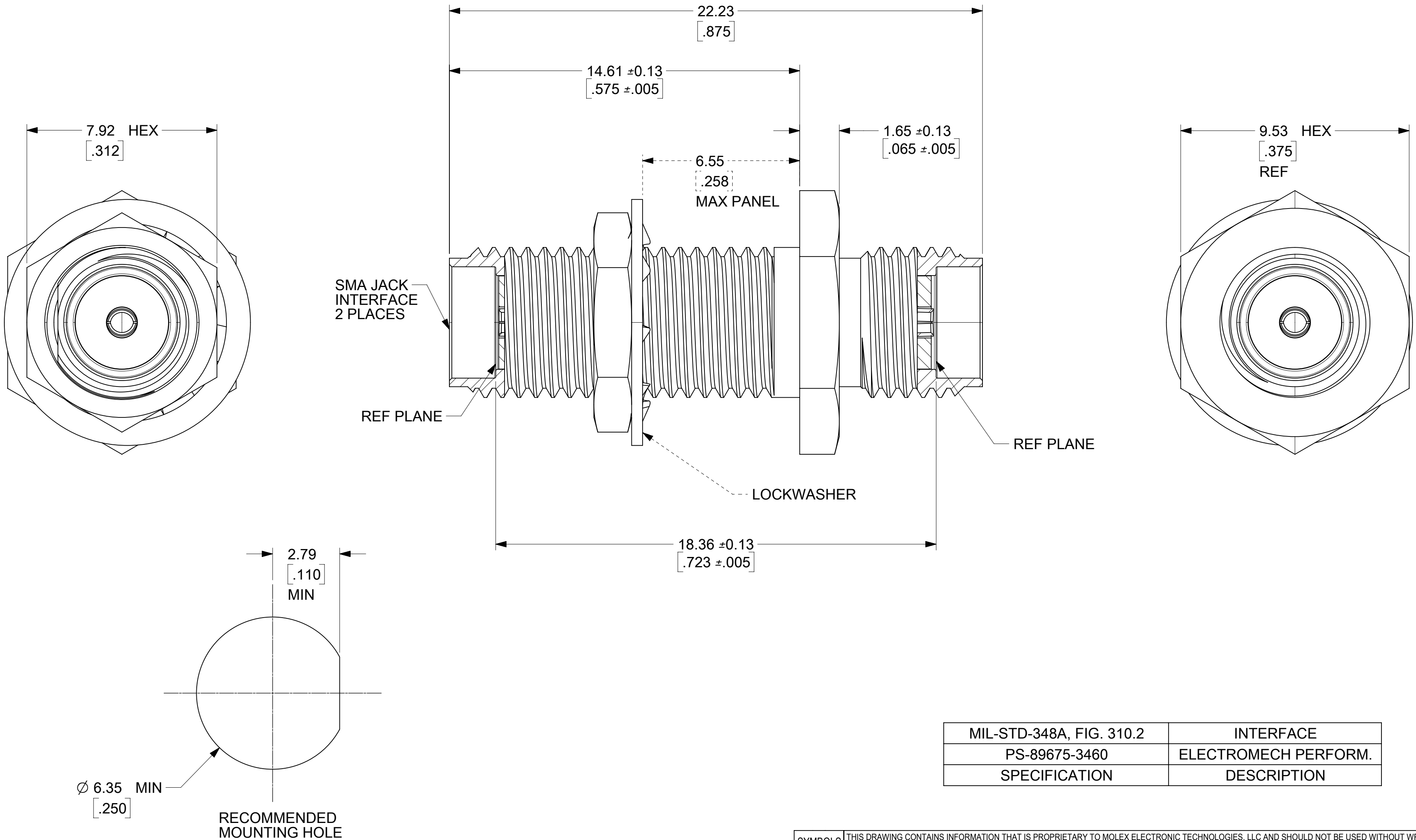
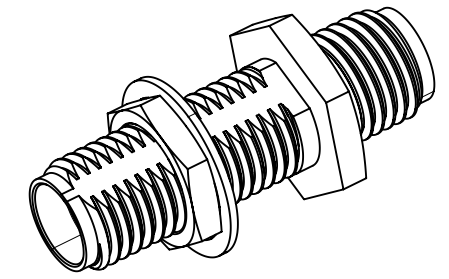


MATERIALS AND FINISHES

BODY, NUT AND WASHER STAINLESS STEEL
PASSIVATED

CENTER CONTACT BERYLLIUM COPPER
PLATED GOLD (50 MICROINCHES MIN)

INSULATOR TEFLON



MIL-STD-348A, FIG. 310.2	INTERFACE
PS-89675-3460	ELECTROMECH PERFORM.
SPECIFICATION	DESCRIPTION

73251-0361	ONE PIECE 73251-0360 PER BAG
73251-0360	STANDARD PACKAGING
PART NO.	PACKAGING

SYMBOLS ▽ = 0 ▽ = 0 ▽ = 0 ▽ = 0 ▽ = 0 ▽ = 0 ▽ = 0 ▽ = 0 ▽ = 0 ▽ = 0 ▽ = 0 ▽ = 0	THIS DRAWING CONTAINS INFORMATION THAT IS PROPRIETARY TO MOLEX ELECTRONIC TECHNOLOGIES, LLC AND SHOULD NOT BE USED WITHOUT WRITTEN PERMISSION DIMENSION UNITS: MM/IN SCALE: CURRENT REV DESC: MIGRATED TO NX GENERAL TOLERANCES (UNLESS SPECIFIED): ANGULAR TOL ± 2.0° 4 PLACES ± 3 PLACES ± 2 PLACES ± 1 PLACE ± 0 PLACES ± DRAFT WHERE APPLICABLE MUST REMAIN WITHIN DIMENSIONS	EC NO: 177040 DRWN: SMAHESHBABU 2018/02/22 CHK'D: CWEI02 2018/05/22 APPR: YCHENG 2018/05/23 INITIAL REVISION: DRWN: EDC 1997/12/05 APPR: GMH 1998/01/09 THIRD ANGLE PROJECTION DRAWING: C-SIZE SERIES: 73251	 PRECISION SMA JACK/JACK BLKHD, MT ADAPTER EWR-2595, SMA-AD/JJ/BK PRODUCT CUSTOMER DRAWING DOCUMENT NUMBER: SD-73251-036 DOC TYPE: PSD DOC PART: 001 REVISION: A5 MATERIAL NUMBER: SEE TABLE CUSTOMER: GENERAL MARKET SHEET NUMBER: 1 OF 1
--	--	---	--

DOCUMENT STATUS	P1	RELEASE DATE	2018/05/23 07:33:24
-----------------	----	--------------	---------------------