

INDEX HINGE

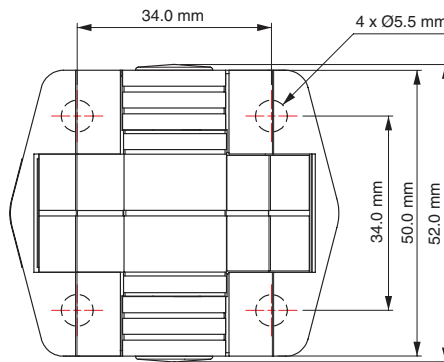
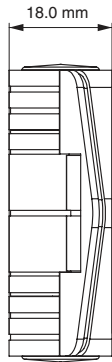
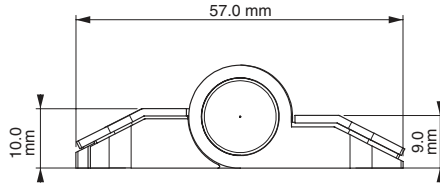


Specifications

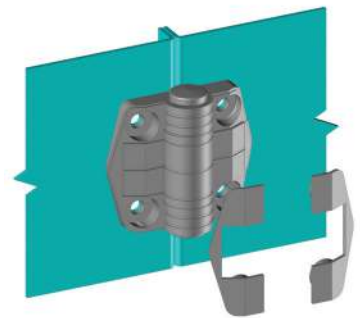
- **Material:**
Body: Polyamide DIN-EN ISO 1043-1 PA6 GFR 30
Pin: Plastic

Features

- Different angle and torque is available
- Holds door open at specific degrees: 80°, 115°, 150°
- Applications: Electric panels, machinery covers



Position	Force (N-m)	Version
	No Detens	10
	0.7	21
	1.1	22
	1.7	23
	0.7	31
	1.1	32
	1.7	33
	0.7	41
	1.1	42
	1.7	43



Item Number	Material	Finish	Version
25992010	Nylon	Black	10
25992021	Nylon	Black	21
25992022	Nylon	Black	22
25992023	Nylon	Black	23
25992031	Nylon	Black	31
25992032	Nylon	Black	32
25992033	Nylon	Black	33
25992041	Nylon	Black	41
25992042	Nylon	Black	42
25992043	Nylon	Black	43