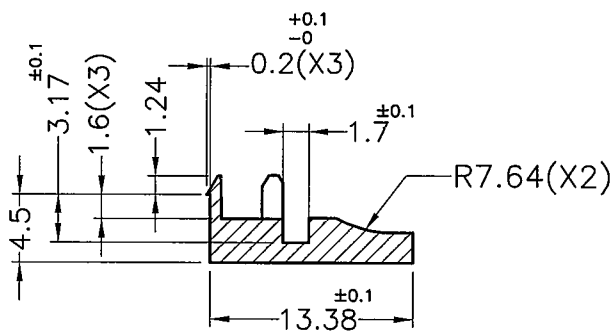
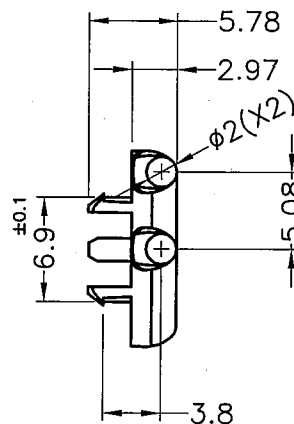
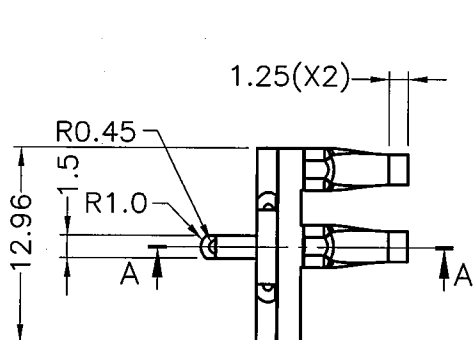


成型尺寸	公差
X	±0.3
X.X	±0.2
X.XX	±0.1

REVISIONS			
REV	DESCRIPTION	DATE	BY



SECTION A-A

Component - Plastics

E207780

SABIC INNOVATIVE PLASTICS JAPAN L L C

PACIFIC GRADES - RESIN, 2-2 KINUGAOKA, MOKA-SHI TOCHIGI-KEN 321-4392 JP

925A(GG), 945A(GG), 955A(GG)

Polycarbonate (PC), "Lexan", furnished as pellets

Color	Min Thk (mm)	Flame Class	HWI	HAI	RTI Elec	RTI Imp	RTI Str
ALL	0.8	V-2	3	4	130	120	125
	1.0	V-2	3	4	130	120	125
	1.5	V-2	3	3	130	120	125
	2.3	V-2	3	3	130	120	130
	2.5	V-1	3	3	130	120	130
	3.0	V-0	2	3	130	120	130

Comparative Tracking Index (CTI): 2

Dimensional Stability (%): 0

High-Voltage Arc Tracking Rate (HVTR): 3

High Volt Low Current Arc Resis (D495): 7

Dielectric Strength (kV/mm): 39

Volume Resistivity: 10<sup>12</sup> ohm-cm: 16

(GG) - Represents a global grade as covered in Recognized Component File E161759.

NOTE - Material designation may be followed by a color nomenclature consisting of either an alpha/numeric or numeric/alpha combination.

UL94 small-scale test data does not pertain to building materials, furnishings and related contents. UL94 small-scale test data is intended solely for determining the flammability of plastic materials used in the components and parts of end-product devices and appliances, where the acceptability of the combination is determined by UL1

**康揚企業股份有限公司**  
KANG YANG HARDWARE ENTERPRISE CO., LTD.

**康揚塑膠(東莞)有限公司**  
KANG YANG PLASTIC(DONG GUAN) CO., LTD.

**康哲電腦配件(吳江)有限公司**  
KANG CHE COMPUTER COMPONENTS(WUJIANG) CO., LTD.

ISO 9001  
ISO 14001  
QC 080000

PART NUMBER	DRAWING NUMBER
LEM-61V0	LEM-61V0
SIZE	SCALE
A4	2:1
UNIT	REV
mm	A

TITLE	LED導光柱	產品規格圖面
MATERIAL	PC UL94V-0	DATE 2008.10.15
FINISH		DRAWN Tony
COLOR	CLEAR	CHECK 
UNLESS OTHERWISE SPECIFIED TOLERANCE	SEE ABOVE	APPROVED 