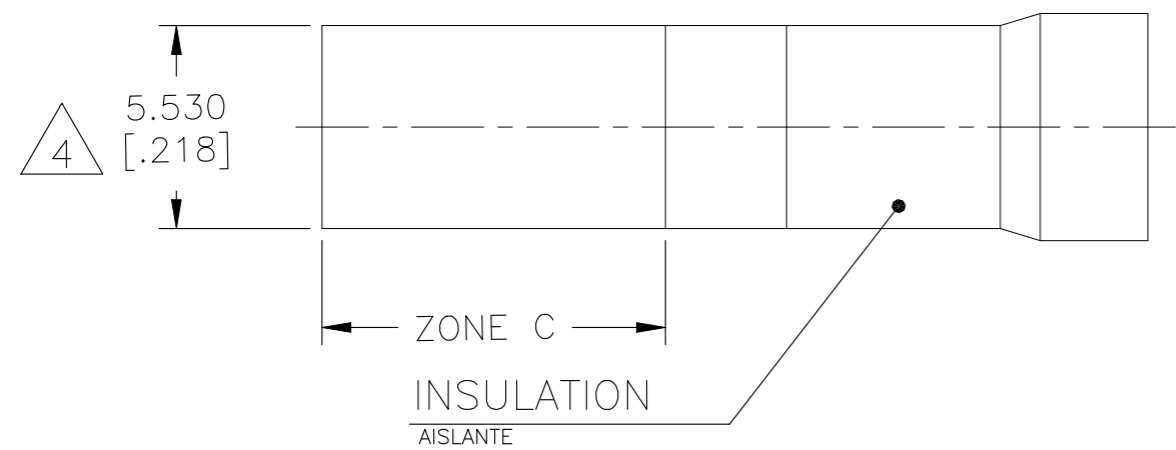
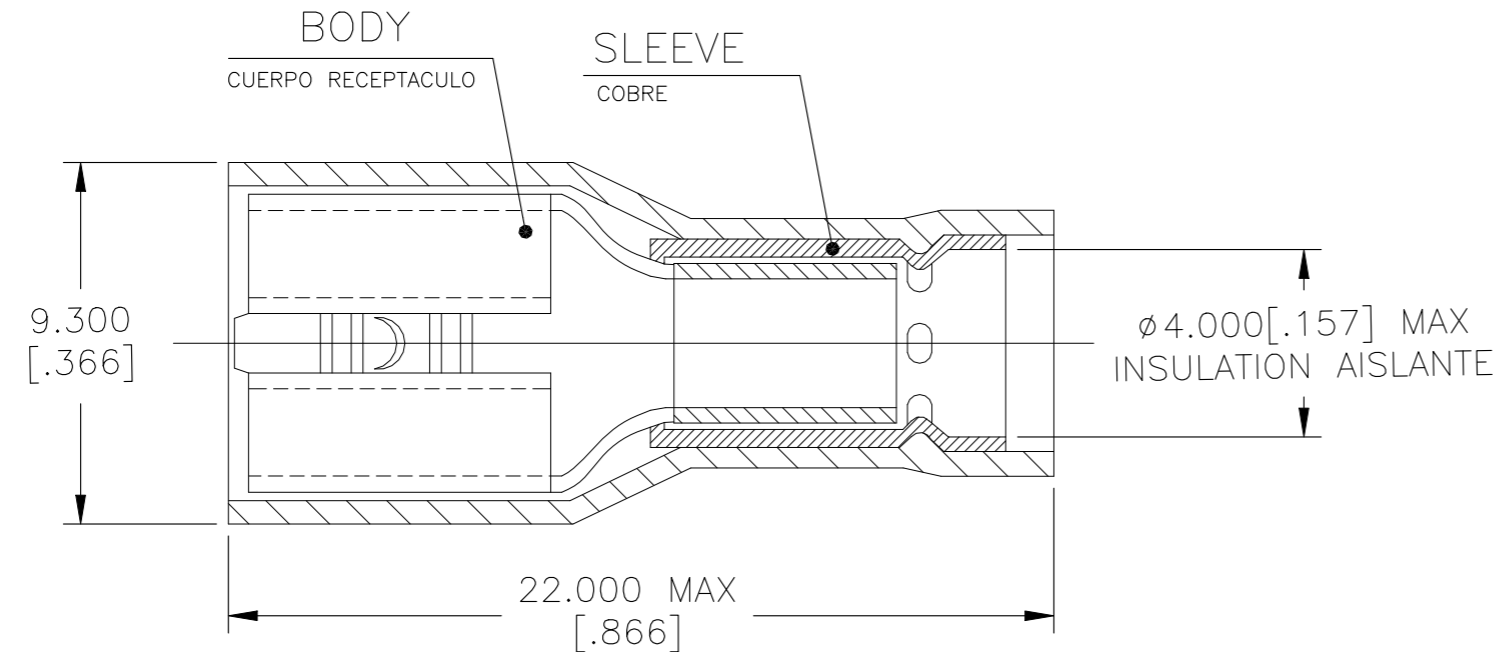


REVISIONS					
P	LTR	DESCRIPTION	DATE	DWN	APVD
	F3	REVISED PER ECN-21-127537	23NOV2021	RK	CDS



1. MATERIAL:
 BODY: SEE TABLE
 SLEEVE: COPPER PER ASTM B152
 INSULATION: POLYAMIDE 6/6 (NYLON) PER ASTM D4066

MATERIAL:
 CUERPO: VER TABLA
 MANGA: COBRE POR ASTM B152
 AISLAMIENTO: POLIAMIDA 6/6 (NYLON) POR ASTM D4066

2. FINISH:
 BODY: TIN PLATE 0.002 [.000079]
 MIN EXT THICK PER ASTM B545
 SLEEVE: NONE
 INSULATION COLOR: BLUE

TERMINAR:
 CUERPO: HOJA DE HOJALATA 0.002 [.000079]
 ESPESOR MÍNIMO EXT. POR ASTM B545
 MANGA: NINGUNA
 COLOR DE AISLAMIENTO: AZUL

3. WIRE RANGE: 1.000 [.039]–2.000 [.079]mm² [17–14 AWG]
 GAMA DE ALAMBRE: 1.000 [.039] –2.000 [.079] mm² [17–14 AWG]

4. DIMENSION APPLIES TO ZONE C FOR A DISTANCE OF 8.620 – 8.750 [.339 – .344]

LOOSE PIECE PIEZA SUELTA	100	BRASS PER ASTM B36 LATÓN POR ASTM B36	735159
PACKAGE TYPE TIPO DE PAQUETE	QTY CANTIDAD	BODY MATL. CUERPO MATL.	PART NUMBER NÚMERO DE PIEZA

THIS DRAWING IS A CONTROLLED DOCUMENT.		DWN RAVI S 15NOV2019	STE TE Connectivity	
DIMENSIONS: mm [INCHES]		CHK DANIEL ROHDE 15NOV2019		
TOLERANCES UNLESS OTHERWISE SPECIFIED:		APVD DANIEL ROHDE 15NOV2019	NAME FULLY INSULATED FASTON RCPT 6.35 MM (BLUE) RECEPTÁCULO FASTON 6.35 MM AISLADO (AZUL)	
0 PLC ± -		PRODUCT SPEC	-	
1 PLC ± -		APPLICATION SPEC	-	
2 PLC ± -		WEIGHT	-	
3 PLC ± 0.500 [.019]		SIZE	A3	00779
4 PLC ± -		CAGE CODE	C-735159	
ANGLES ± -		DRAWING NO	-	
MATERIAL SEE TABLE		FINISH	RESTRICTED TO	
			-	
			CUSTOMER DRAWING	
			SCALE	5:1
			SHEET	1 OF 1
			REV	F3