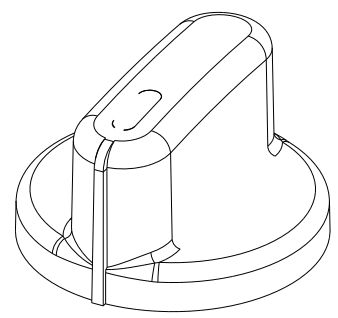
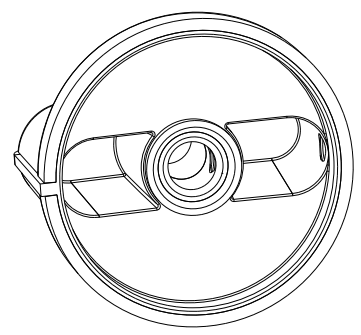
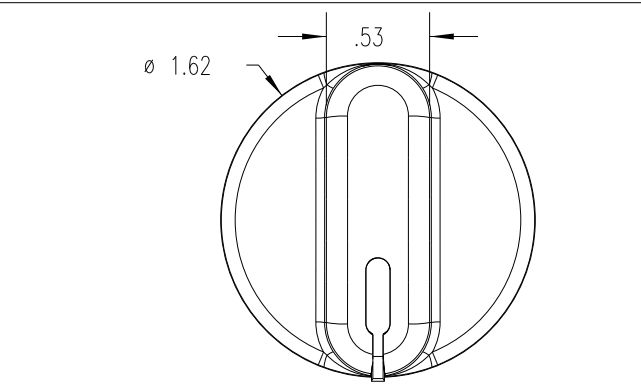


PART NAME: KNOB SCALE: 1:1 DATE: 3/23/05 DR. BY JAM

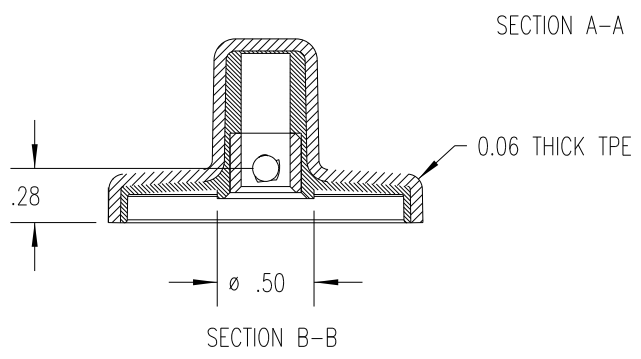
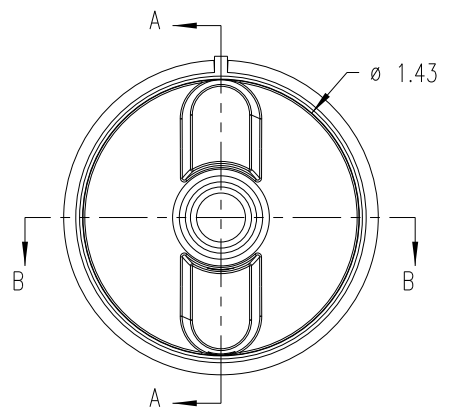
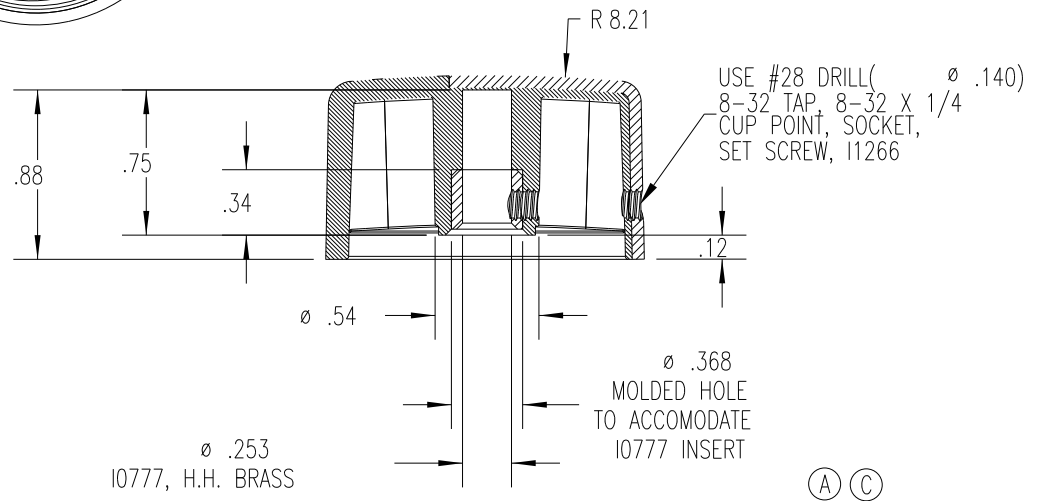
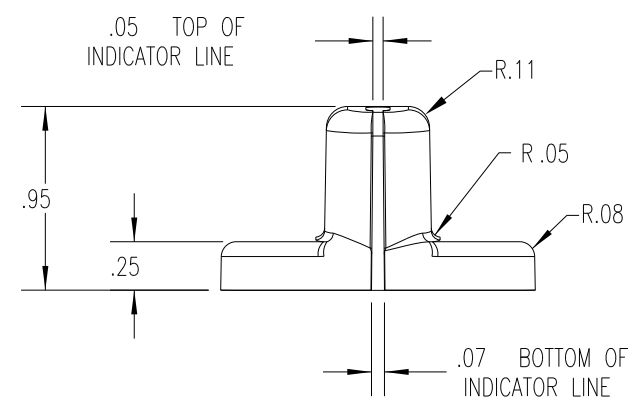
DAVIES MOLDING COMPANY
CAROL STREAM, ILLINOIS 60188

P/N 1506-E
BASE PART 1506-03
SET SCREW I1266

THIS DRAWING IS THE PROPERTY OF DAVIES MOLDING COMPANY, IS SUBMITTED SOLELY AS A DESIGN OR ENGINEERING PROJECT.
WE ACCEPT NO RESPONSIBILITY WHATSOEVER FOR THE PRACTICAL APPLICATION OF THE PIECES MADE TO THIS DESIGN.



(D)
(F)
(E)



SUBSTRATE MATERIAL: POLYPROPYLENE (CLD)
COLOR: WHITE (PC23083)

OVERMOLD MATERIAL: TPE (TPE3)
COLOR: BLACK (PC-301)

(B)

F	ADDED BASE PART	JAM	5/20/13
E	WAS 1506-E	JAM	1/14/11
D	MOLD # WAS 1506	JAM	12/14/09
C	REMOVED: "DRILL HOLE AT PRESS"	JAM	12/26/06
B	ADDED (PC23083) DESCRIPTION	DS	6/5/06
A	ADDED: "DRILL HOLE AT PRESS"	DAD	10/21/05
-	WAS SK1506-05	JAM	3/23/05

TOLERANCES: UNLESS OTHERWISE SPECIFIED	DO NOT SCALE DRAWING
DECIMALS: X.XXX ± .005 X.XX ± .015	MM: X.XX ± 0.15MM X.X ± 0.4MM
FRACTIONS ± 1/64	ANG. ± 1°

CHANGES